

**Series 2, built-in fridge-freezer with freezer at bottom, 177.2 x 54.1 cm, sliding hinge  
KIN85NSF0G**



**Included accessories**

3 x egg tray  
1 x ice cube tray

**Optional accessories**

KSZB6R00 :  
KSZGGM00 :



**The spacious built-in fridge-freezer combination with NoFrost provides optimal food storage and ice formation is no longer an issue.**

- **MultiBox XXL:** extra-large drawer for your fruit and vegetables.
- **EcoAirflow:** optimal air circulation and a constant temperature level in the cooling area.
- LED lighting - with soft start, lasts for the lifetime of the appliance.
- **SuperFreezing:** Protects frozen food from defrosting.
- FreshSense sensors constantly monitor and control the ambient, fridge and freezer temperature

**Technical Data**

Energy Efficiency Class: F  
Average annual energy consumption in kilowatt hour per year (kWh/a): 298 kWh/annum  
Sum of volume of frozen compartments: 99 l  
Sum of volume of chill compartments: 150 l  
Airborne acoustical noise emissions : 39 dB(A) re 1 pW  
Airborne acoustical noise emission class: C  
Built-in / Free-standing: Built-in  
Number of compressors: 1  
Number of independent cooling systems: 1  
Width of the appliance: 541 mm  
Depth: 548 mm  
Net weight: 51.0 kg  
Required niche size for installation (HxWxD): 1775.0 x 560 x 550 mm  
Door panel options: Not possible  
Door hinge: Right reversible  
Number of Adjustable Shelves in fridge compartment: 2  
Shelves for Bottles: No  
Frost free system: Freezer  
Interior ventilator: No  
Reversible Door Hinge: Yes  
Length electrical supply cord: 230 cm  
Noise level: 39 dB(A) re 1 pW  
Multi-Flow Air Tower: No  
Fast cooling switch: No  
Fast freezing switch: Yes  
Temperature Controlled Drawer: No  
Humidity Control Drawer: No  
Number of Door Bins - Refrigerator: 2  
Door bin adjustability - Refrigerator: Yes  
Tilt-out door bins in fridge: Yes  
Gallon Storage: Yes  
Number of Gallon storage: 1  
Motorized Shelf: No  
Material of the shelves: Safety glass  
Door opened indicator freezer: Yes  
Drawers with telescopic rails: none  
Automatic motor-driven ice-maker: No  
Fuse protection: 10 A  
Voltage: 220-240 V  
Frequency: 50 Hz  
Storage Period in Event of Power Failure (h): 10 h  
Approval certificates: CE, E17D UKCA marking, VDE  
Colour of appliance: N/A  
Door panel options: Not possible  
Noise level: 39 dB(A) re 1 pW  
Energy Star Qualified: No  
Approval certificates: CE, E17D UKCA marking, VDE  
Plug type: GB plug  
Required cutout/niche size for installation (in): x x  
Dimensions of the packed product: 72.45 x 24.01 x 25.19  
Net weight: 112.000 lbs  
Gross weight: 123.000 lbs

## Series 2, built-in fridge-freezer with freezer at bottom, 177.2 x 54.1 cm, sliding hinge KIN85NSF0G

**The spacious built-in fridge-freezer combination with NoFrost provides optimal food storage and ice formation is no longer an issue.**

- NoFrost freezer, Built-in fridge-freezer
- Sliding hinge, softClosing door: No
- Easy Installation

### Performance and Consumption

- EU19\_EEK\_D: F
- Total Volume : 249 l
- Net Fridge Volume : 150 l
- Net Freezer Volume : 99 l
- Freezing capacity 24h : 5.5 kg
- Annual Energy Consumption: 298 kWh/a
- Climate Class: SN-ST
- Noise Level : 39 dB
- Temperature rise time : EU19\_Temperature rise time\_D: 10 H

### Functions

- Bright interior LED fridge light

### Design features

- LED electronic control
- 1 compressor
- acoustic for Fridge and Freeze, optical

### Design features

- 2 door trays, including 0x dairy compartment

### Freshness System

- 1 MultiBox - Transparent drawer with a rippled bottom, ideal for storing fruits and vegetables.

### Food freshness system

- NoFrost freezer, never have to defrost ever again
- SuperFreezing function with automatic deactivation

### Dimension and installation

- Dimensions: 177.2 cm H x 54.1 cm W x 54.8 cm D
- Niche Dimensions: 177.5 cm H x 56 cm W x 55 cm D

### Key features - Fridge section

- Right hinged door, reversible door
- 220 - 240 V

### Key features - Freezer section

- KIN85NSF0G
- bottle holder in door tray

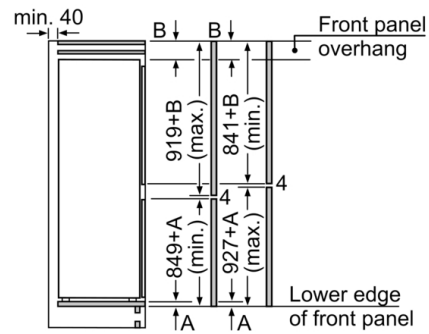
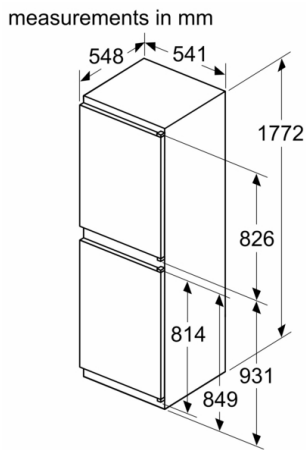
### Country Specific Options

- Based on the results of the standard 24-hour test. Actual consumption depends on usage/position of the appliance.

### Additional features

- 3 safety glass shelves in fridge compartment of which 2 are height adjustable
- 4 freezer drawers

**Series 2, built-in fridge-freezer with freezer at bottom, 177.2 x 54.1 cm, sliding hinge KIN85NSF0G**



The specified unit door dimensions are valid for a door gap of 4 mm.

measurements in mm

