

**Series 6, built-in freezer, 177.2 x 55.8 cm, flat hinge  
GIN81AEF0G**



**The NoFrost freezer with electronic temperature control: set the target temperature precisely and easily.**

- **VarioZone:** more flexibility due to variable-use glass shelves and drawers in the freezer compartment.
- **Automatic super freezing:** optimal for freezing smaller food loads faster whilst protecting your frozen items from defrosting
- **NoFrost:** never defrost again, thanks to perfect protection from ice formation - that saves time and effort.
- **Big Box drawer:** for stacking storage containers or for large frozen food items.
- FreshSense sensors constantly monitor and control the ambient, fridge and freezer temperature

**Technical Data**

Energy Efficiency Class: F  
 Average annual energy consumption in kilowatt hour per year (kWh/a): 294 kWh/annum  
 Sum of volume of frozen compartments: 212 l  
 Airborne acoustical noise emissions : 36 dB(A) re 1 pW  
 Airborne acoustical noise emission class: C  
 Product category: Upright freezer  
 Built-in / Free-standing: Built-in  
 Frost free system: Fridge and freezer  
 Climate class: SN-T  
 Door panel options: Not possible  
 Width of the appliance: 558 mm  
 Depth: 545 mm  
 Dimensions of the packed product (HxWxD): 1840 x 640 x 610 mm  
 Warning signal / malfunction: visual and audible  
 Cover door installation system: Fixed-mounted  
 Number of drawers/baskets (Stck): 5  
 Number of freezing flaps (Stck): 2  
 Lockable door: No  
 Thermometer freeze section: Digital  
 Light: No  
 Length electrical supply cord: 230 cm  
 Door hinge: Left reversible  
 Net weight: 64.3 kg  
 Gross weight: 69.5 kg  
 Multi-Flow Air Tower: No  
 Number of compressors: 1  
 Number of independent cooling systems: 1  
 Economy setting: No  
 Fast freezing switch: Yes  
 Door bin adjustability - Freezer: No  
 Tilt-out door bins in freezer: No  
 Number of shelves - Freezer: 0  
 Door bin adjustability - Freezer: No  
 Shelf Material - Freezer: Safety glass  
 Reversible Door Hinge: Yes  
 Connection Rating: 120 W  
 Fuse protection: 13 A  
 Frequency: 50 Hz  
 Approval certificates: CE, VDE  
 Colour of appliance: N/A  
 Door panel options: Not possible  
 Installation typology: Full-integrated  
 Noise level: 36 dB(A) re 1 pW  
 Energy Star Qualified: No  
 Approval certificates: CE, VDE  
 Plug type: GB plug  
 Required cutout/niche size for installation (in): x x  
 Dimensions of the packed product: 72.45 x 24.01 x 25.19  
 Net weight: 142.000 lbs  
 Gross weight: 153.000 lbs



**Included accessories**  
1 x ice cube tray

**Optional accessories**  
KSZB0S00 :

## **Series 6, built-in freezer, 177.2 x 55.8 cm, flat hinge GIN81AEF0G**

### **The NoFrost freezer with electronic temperature control: set the target temperature precisely and easily.**

---

- Full frost free, Built-in upright-freezer (> 90 cm height)
- Fixed hinge
- GIN81AEF0G

#### **Design features**

- Door left hinged, reversible door
- LED Electronic control
- 1 compressor/1 cooling circuit
- FreshSense - Constant temperature control by intelligent sensor technology

#### **Freezer Section**

- Full frost free, never have to defrost ever again
- 5 transparent freezer drawers, 2 BigBox
- SuperFreeze functions with automatic deactivation
- Freezer malfunction warning signal: optical, acoustical

#### **Accessories**

- ice cube tray

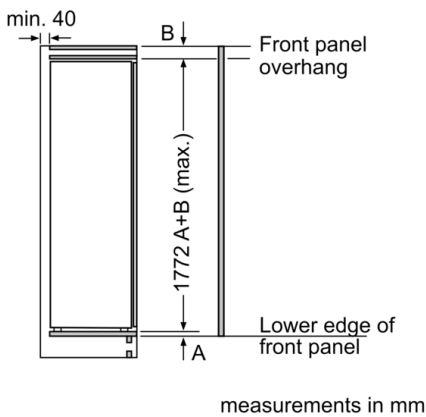
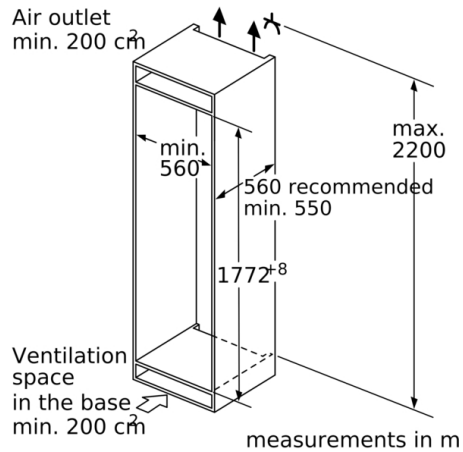
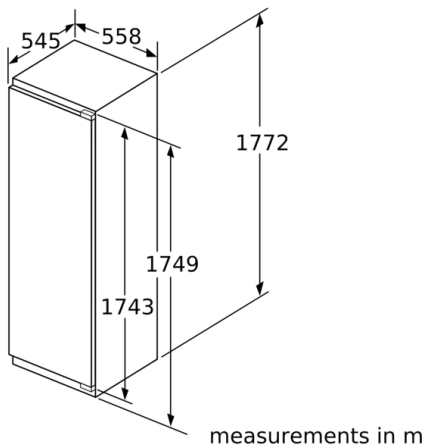
#### **Dimension and installation**

- Connection value 120 W
- Dimensions: 177.2 cm H x 55.8 cm W x 54.5 cm D
- Niche Dimensions: 177.5 cm H x 56 cm W x 55 cm D
- Based on the results of the standard 24-hour test. Actual consumption depends on usage/position of the appliance.

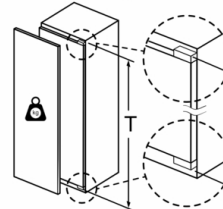
#### **Performance and Consumption**

- 220 - 240 V
- EU19\_EEK\_D: F
- Total Volume : 212 l
- Net Fridge Volume : 0 l
- Net Freezer Volume : 212 l
- Freezing capacity 24h : 13.8 kg
- Annual Energy Consumption: 294 kWh/a
- Climate Class: SN-T
- Noise Level : 36 dB
- Temperature rise time : EU19\_Temperature rise time\_D: 8 H

**Series 6, built-in freezer, 177.2 x 55.8 cm,  
flat hinge  
GIN81AEF0G**



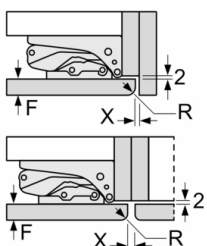
**Maximal permissible weight of the unit fronts**



Fitted kitchen unit doors that exceed the permissible weight may cause damage and result in functional impairment of the hinges.

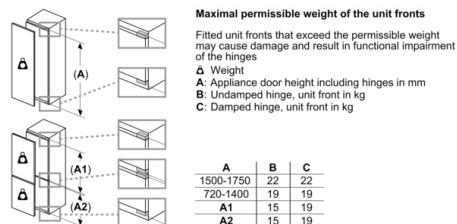
T: Includes height of appliance door Hinges in mm:	undamped hinge, Door in kg:	damped hinge, Door in kg:
1500-1750	22	22

measurements in mm  
**Recommended gap dimensions for flat hinges**



F	R	X
16-19	0-3	2.5
20	0-1	3
	2-3	2.5
21	0-1	3
	2-3	2.5
22	0	4
	1	3.5
	2-3	3

The gap dimensions recommended in the table must be adhered to in order to ensure that appliance doors do not collide with anything when they are opened, and to avoid causing damage to kitchen units.



**Series 6, built-in freezer, 177.2 x 55.8 cm,  
flat hinge  
GIN81AEF0G**

