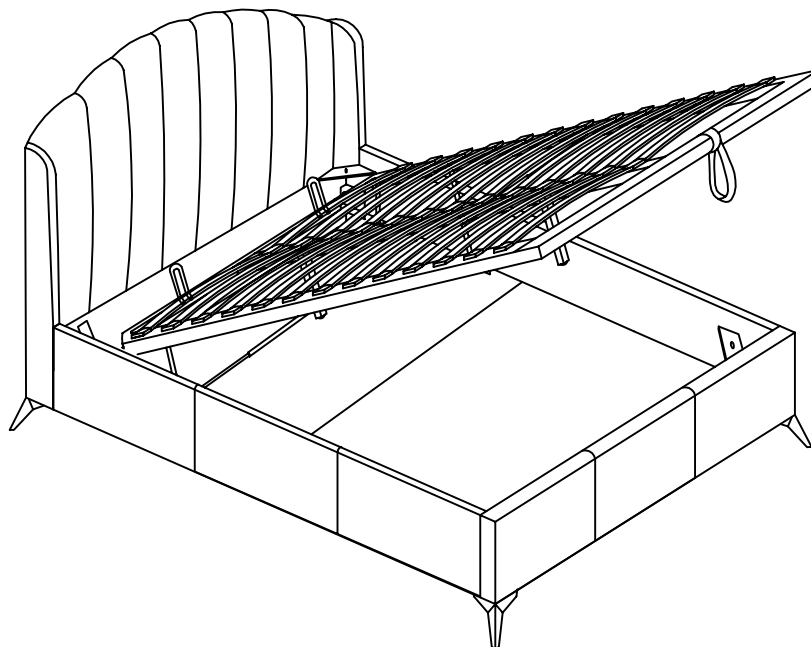


PETTINE END LIFT OTTOMAN BED

Thank you for purchasing the Pettine end lift ottoman bed. Please read the instructions carefully to ensure safe operation product.



Size : 4FT6IN 2045MM X 1485MM X 1230MM

5FT 2120MM X 1650MM X 1230MM

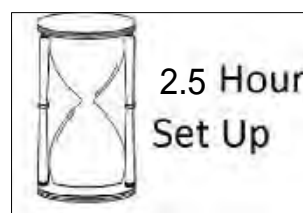
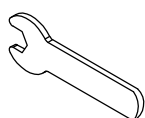
Colour : GREY / BLUSH PINK

PLEASE READ this sheet prior to assembly to familiarise yourself with the various stages of construction.

Carefully open the pack supplied and check the contents against the parts and fittings check list. Do not destroy any of the packaging until you are certain that you have all the necessary parts for the assembly.

CAUTION: There are small components used in the construction of this unit. These loose items should be kept away from young children whilst assembling your unit to avoid the danger of choking hazards.

Tools supplied



PETTINE END LIFT OTTOMAN BED

IMPORTANT - READ CAREFULLY - RETAIN THESE INSTRUCTIONS FOR FUTURE REFERENCE.

INFORMATION

- This product is intended for a maximum person's weight of 110kg per side. Do not exceed this weight
- Incorrect installation could lead to injury, take care following instructions.
- Due to the size of this product we recommend that it is assembled in the room intended for use
- When you are ready to start, make sure that you have the right tools, plenty of space and a clean, dry area for assembly
- Unwrap all packaging materials and place the components on top of the carton box or on a clean floor to prevent it from scratching
- Check the pack and make sure you have all the parts listed
- Ensure that this product is fully assembled and secured as illustrated before use
- Check all screws or bolts are tightened and inspect regularly.
- This product should only be used on firm, level ground.
- Dismantle for transportation.
- Only use recommended accessories.
- Tools are included.

WARNINGS

- When moving the bed Always lift Carefully into position NEVER DRAG OR PULL YOUR BED OTHERWISE THIS COULD DAMAGE ESSENTIAL COMPONENTS.
- DO make sure the legs remain in contact with the ground.
- DO keep small parts out of reach of children.
- DO NOT use power tools to construct this product.
- DO NOT tighten screws until fully assembled.
- DO NOT over tighten screws or bolts.
- DO NOT use this product if parts are missing, damaged or worn. DO NOT stand on the product.

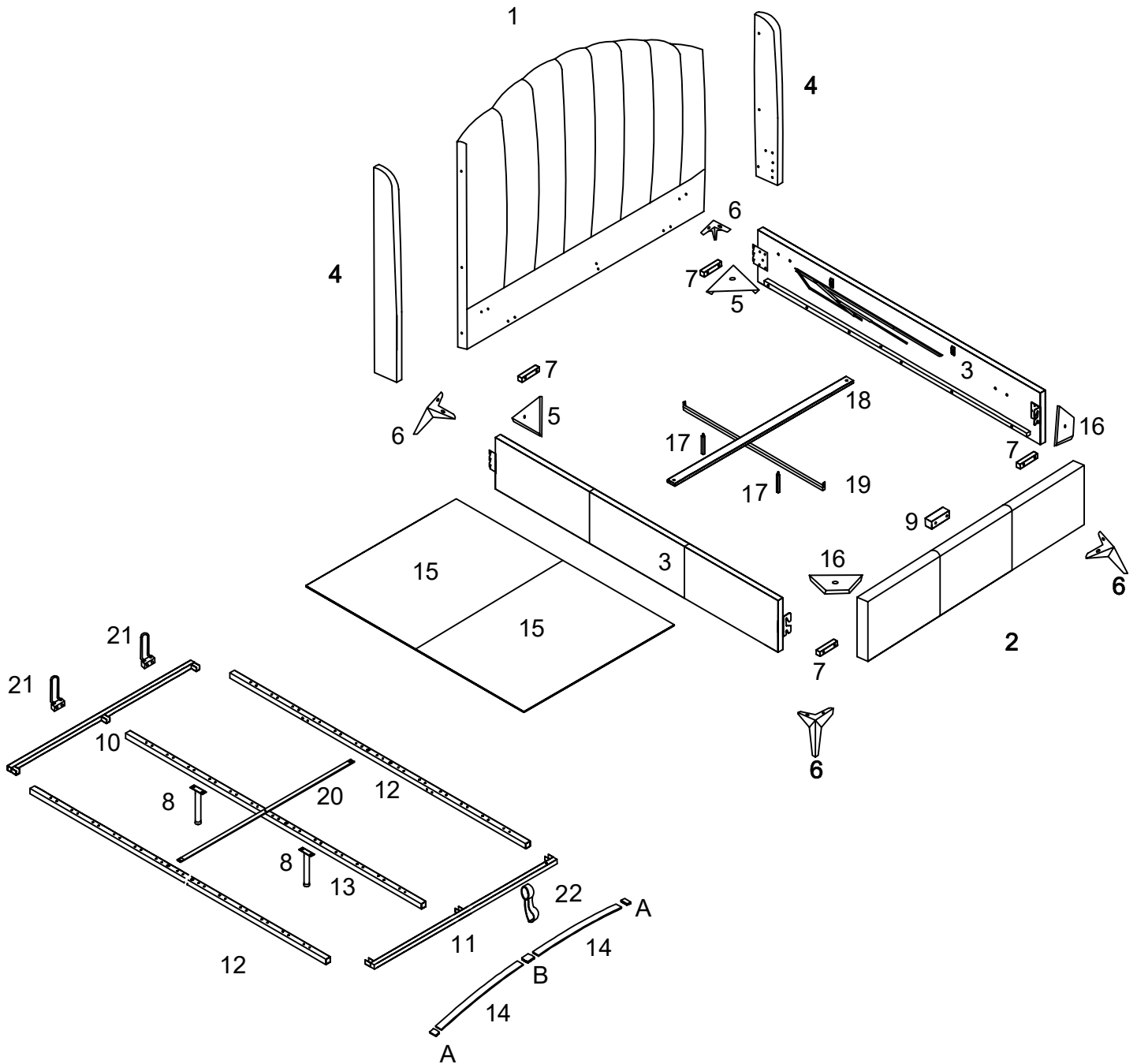
CARE INFORMATION

- Never use scourers, abrasives or chemical cleaners
- To clean wipe with a sponge and warm soapy water. Do not use solvent based cleaners or detergents as they can bleach or damage the product

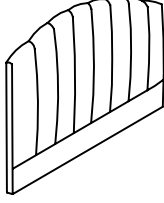
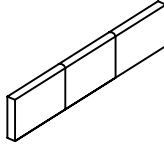
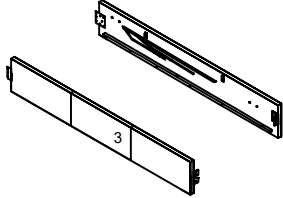
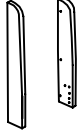
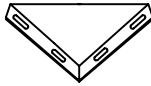


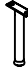
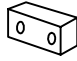
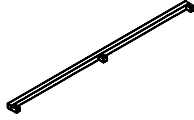
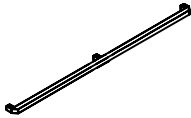
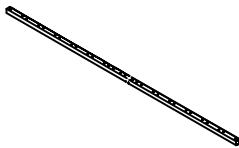
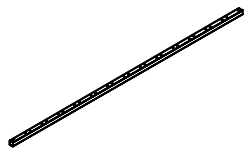

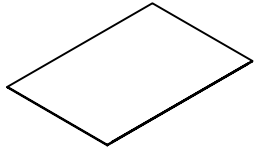
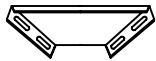
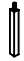
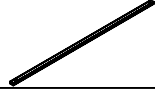
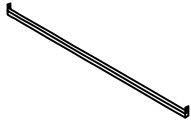
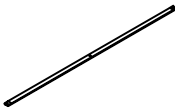
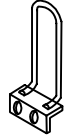

PETTINE END LIFT OTTOMAN BED

Parts

Please check the pack contents before assembling the product. If any components are missing, please contact your retailer. The fittings pack contains small items that should be kept away from small children.



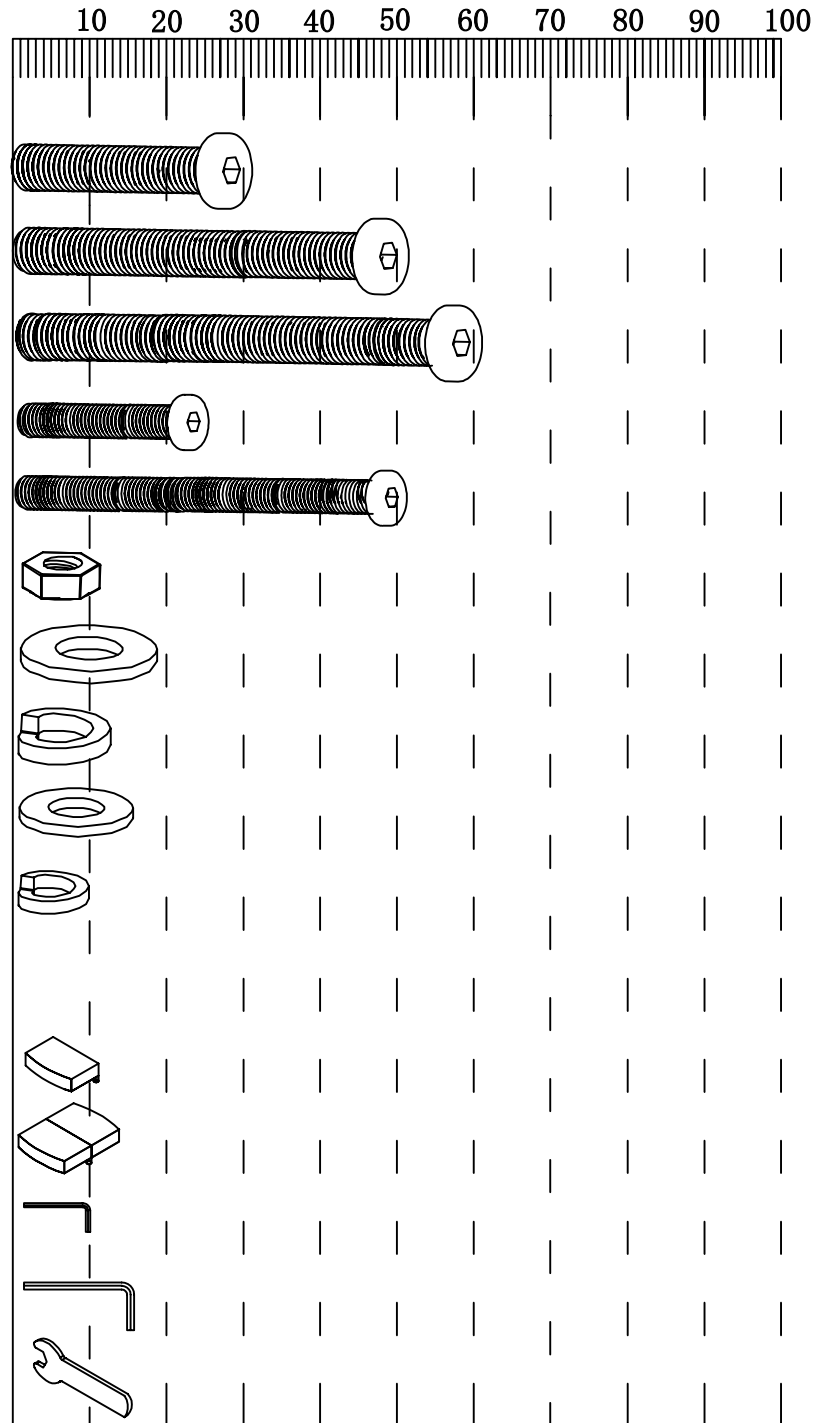
PETTINE END LIFT OTTOMAN BED

<p>1</p> 	<p>2</p> 	<p>3</p> 	
<p>Description : HEADBOARD Qty:1 PC Carton NO: 1</p>	<p>Description : FOOTBOARD Qty:1 PC Carton NO: 2</p>	<p>Description:SIDE RAIL LEFT & RIGHT Qty:1 SET Carton NO: 2</p>	
<p>4</p> 	<p>5</p> 	<p>6</p> 	
<p>Description : WING BACK Qty: 1 SET Carton NO :3</p>	<p>Description : TRIANGLE PLATE(HB) Qty: 2PCS Carton NO :2</p>	<p>Description : LEGS Qty :4 PCS Carton NO :2</p>	
<p>7</p> 	<p>8</p> 	<p>9</p> 	
<p>Description : STORAGE BASE SUPPORT Qty:4 PCS Carton NO :2</p>	<p>Description : LONG SUPPORT LEG Qty :2 PCS Carton NO :2</p>	<p>Description : BASE SUPPORT Qty:1 PC Carton NO :2</p>	
<p>10</p> 	<p>11</p> 	<p>12</p> 	
<p>Description : FRONT RAIL Qty:1 PC Carton NO :2</p>	<p>Description : BACK RAIL Qty:1 PC Carton NO :2</p>	<p>Description : LEFT&RIGHT RAIL Qty:2 PCS Carton NO :2</p>	
<p>13</p> 	<p>14</p> 	<p>15</p> 	
<p>Description : CENTRE RAIL Qty:1 PC Carton NO :2</p>	<p>Description : WOODEN SLAT Qty: 4FT6IN:28PCS 5FT:30PCS Carton NO :1</p>	<p>Description : STORAGE PANEL Qty: 2PCS Carton NO :1</p>	
<p>16</p> 	<p>17</p> 	<p>18</p> 	
<p>Description : TRIANGLE PLATE(FB) Qty: 2PCS Carton NO :2</p>	<p>Description : LOWER SUPPORT LEG Qty: 2PCS Carton NO :2</p>	<p>Description : BOTTOM CROSS METAL Qty: 1PC Carton NO :2</p>	
<p>19</p> 	<p>20</p> 	<p>21</p> 	<p>22</p> 
<p>Description : LOWER MIDDLE RAILS Qty: 1PC Carton NO :2</p>	<p>Description : BED'S CROSS RAIL Qty: 1PC Carton NO :2</p>	<p>Description : MATTRESS SUPPORT Qty: 2PCS Carton NO :2</p>	<p>Description : HANDLE Qty: 1PC Carton NO :2</p>

PETTINE END LIFT OTTOMAN BED

Fixings(to scale)

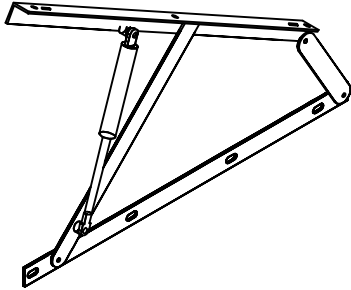
Ref	Dimensions	Qty
C	Bolt-5/16*25mm	23
D	Bolt-5/16*45mm	20
E	Bolt-5/16*55mm	2
F	Bolt-1/4*20mm	28
G	Bolt-1/4*50mm	10
K	Nut-5/16	16
L	Washer*5/16	61
M	Spring Washer*5/16	61
N	Washer*1/4	38
O	Spring Washer*1/4	38
(Not to scale)		
A	End Slat Cap 4ft6in: 28pcs,5ft:30pcs.	28/30
B	Centre Slat Cap 4ft6in: 14pcs,5ft:15pcs.	14/15
H	4MM Allen Key	1
I	5MM Allen Key	1
J	Spanner	1



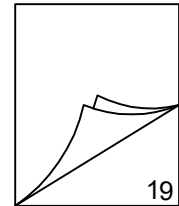
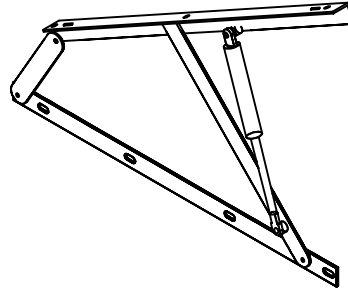
CAUTION: There are many small components used in the construction of this product. Please keep these components away from young children whilst assembling this product. If you keep the fittings in a bowl during assembly you will be less likely to lose them!

PETTINE END LIFT OTTOMAN BED

L



R



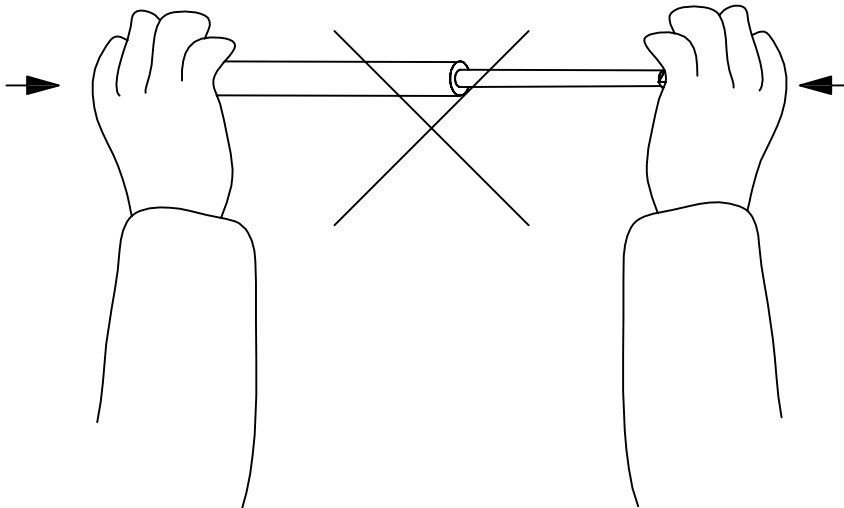
Turn to page 19 for fitting the hinges

! IMPORTANT PISTON INFORMATION

The pistons used in the construction of this product are extremely strong and cannot be operated by hand when not fitted to the ottoman hinges. All pistons are tested in the factory for correct pressure and operation before use.

Initially it might appear that the pistons are very stiff when opening and closing the ottoman frame, THIS IS NORMAL.

After operating the ottoman a few times, the movement of the pistons and the opening and closing of the ottoman will become easier.

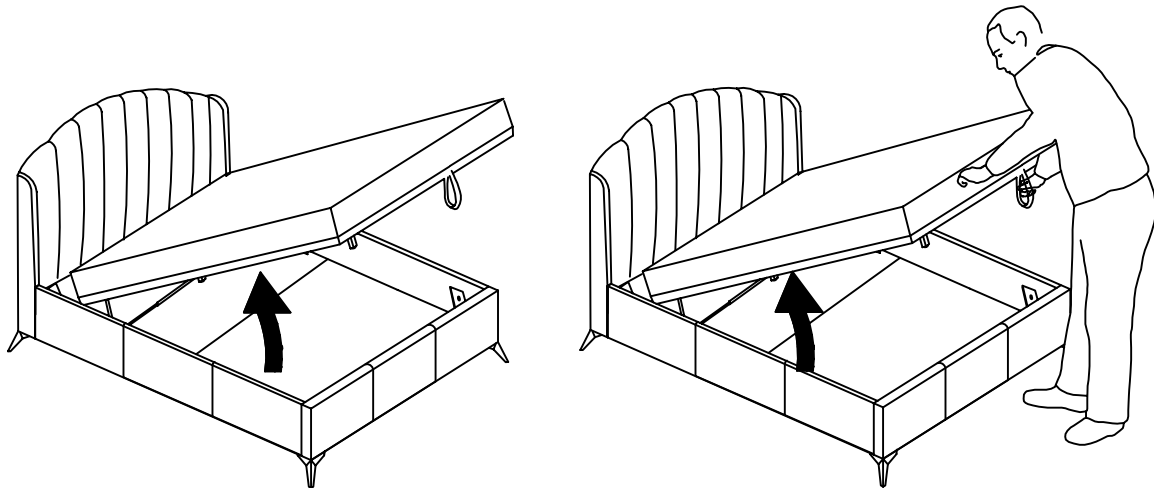


PETTINE END LIFT OTTOMAN BED

Hints and Tips

To operate the ottoman, always use 2 hands at arm's length and only where illustrated on this product. You must ensure the mattress is on the bed frame before lifting the mechanism. Failure to do so may result in injury.

To ensure your safety please do not stand too close in case the frame bounces up. The weight of the mattress loaded on the frame will keep the frame in a lower position until it is pulled upwards by the user.



If removing the mattress, make sure the frame is secured so it does not flip open. When lifting the bed frame, remove pillows and covers.

PLEASE NOTE - It takes a lot of force to make the initial movement of the ottoman - **THIS IS A DESIGN FEATURE OF THE PRODUCT SO THAT IT DOES NOT FALL SHUT** - and the nearer to being closed the ottoman is, the easier it is to move. When the ottoman is almost shut, it will close completely under its own weight.

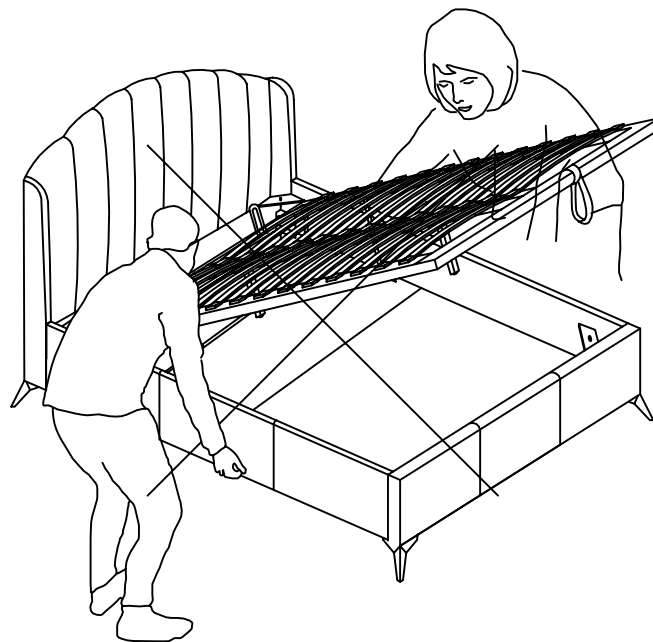
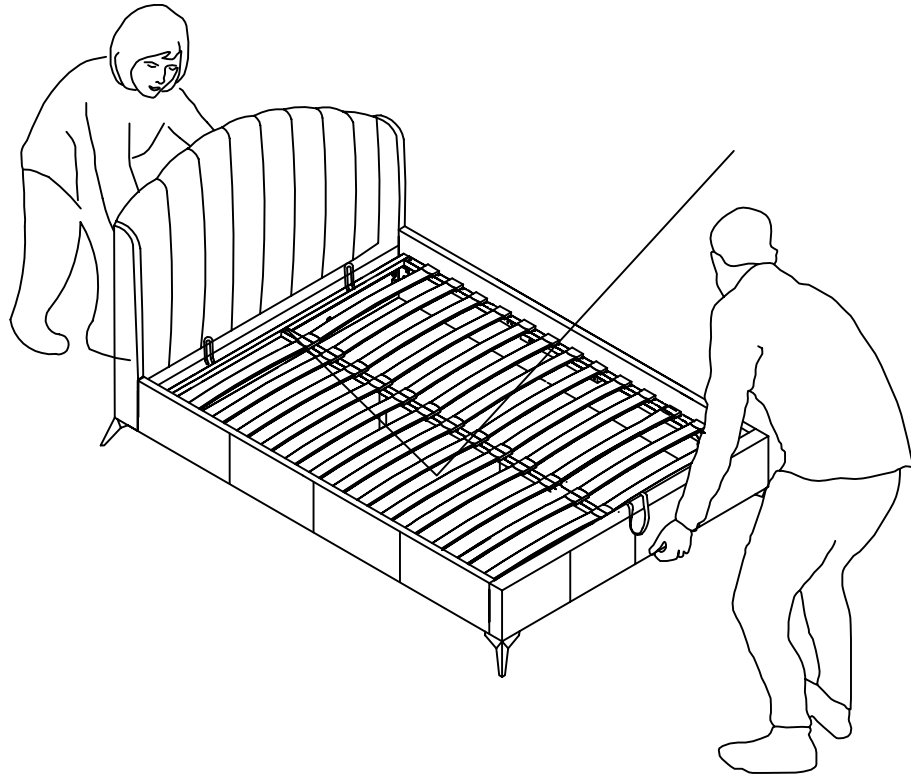
When lowering the slat unit for the first time, take care to make sure it does not rub unevenly on the inside face of the Side Rail. If it does, the bed has been assembled slightly out of square. This can be rectified by moving the Footboard of the bed slightly to the left or right whilst leaving the hardboard of the bed frame stationary.

Tip for difficulty with compression:

If you are experiencing difficulty with the initial compression try fitting one piston at a time (following the Assembly Instructions) then press down on the side of the frame with the piston fitted - this acts like a big lever (The weight of the mattress can be used to supplement the load exerted). Effectively you are doubling the amount of force applied, because you have halved the resistance offered by the pistons. It can take slightly more effort than you might feel comfortable applying to the bed frame at first.

PETTINE END LIFT OTTOMAN BED

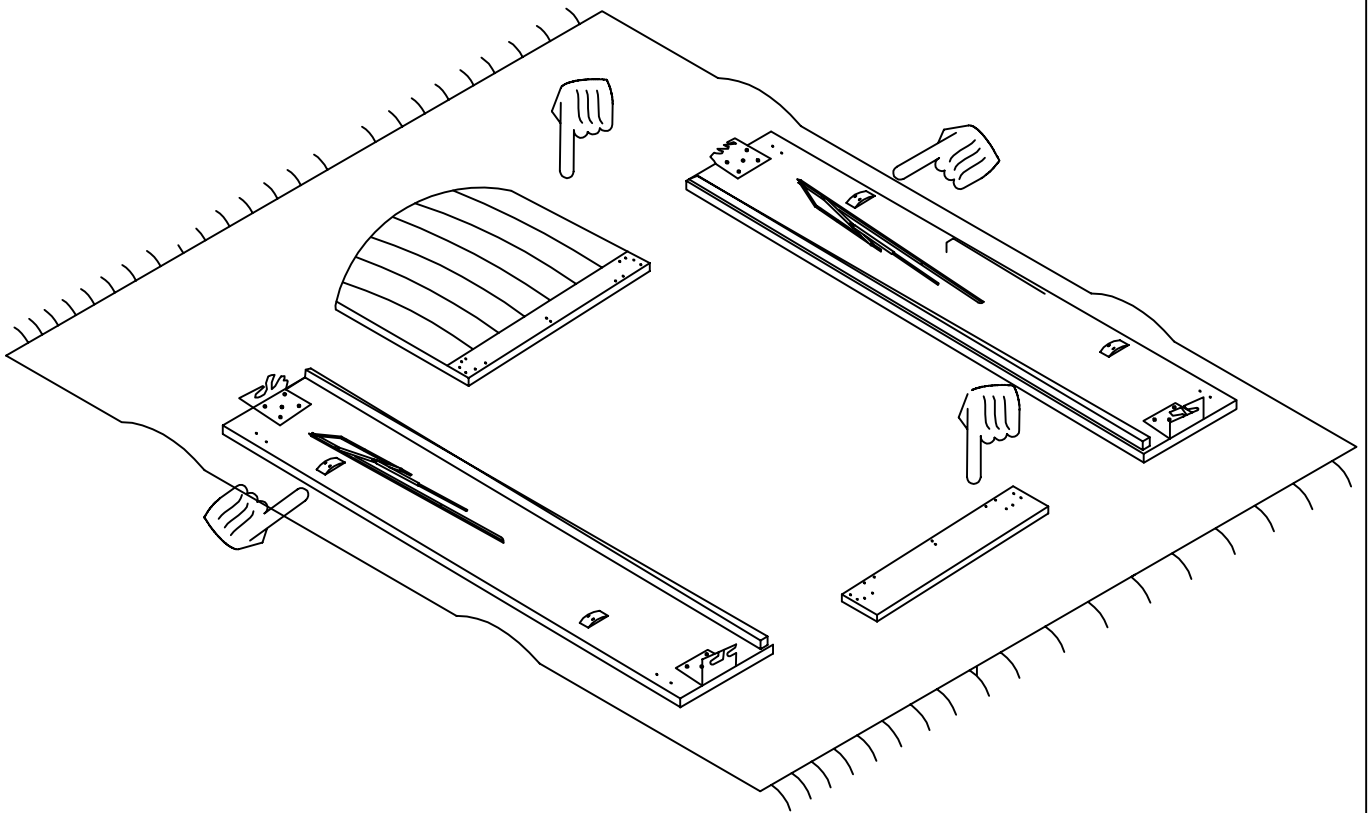
When moving the bed Always lift Carefully into position
NEVER DRAG OR PULL YOUR BED
OTHERWISE THIS COULD DAMAGE ESSENTIAL COMPONENTS .



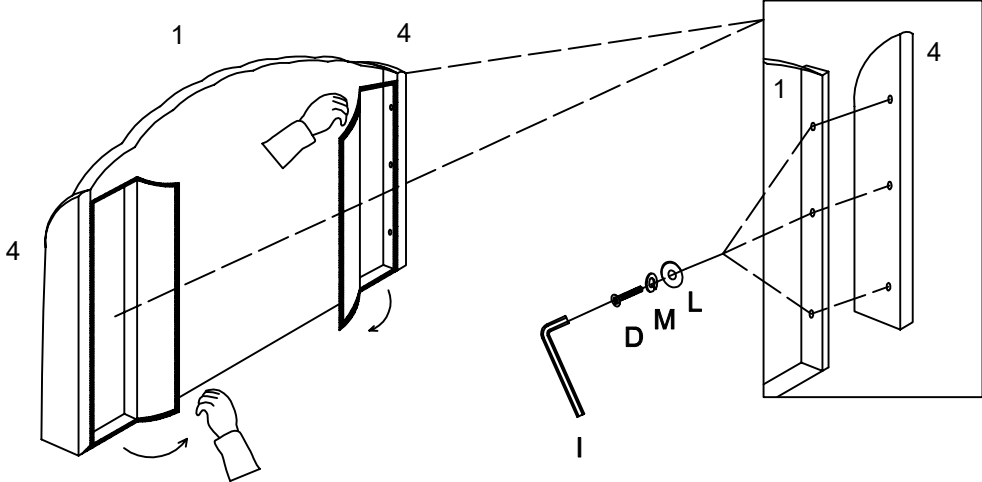
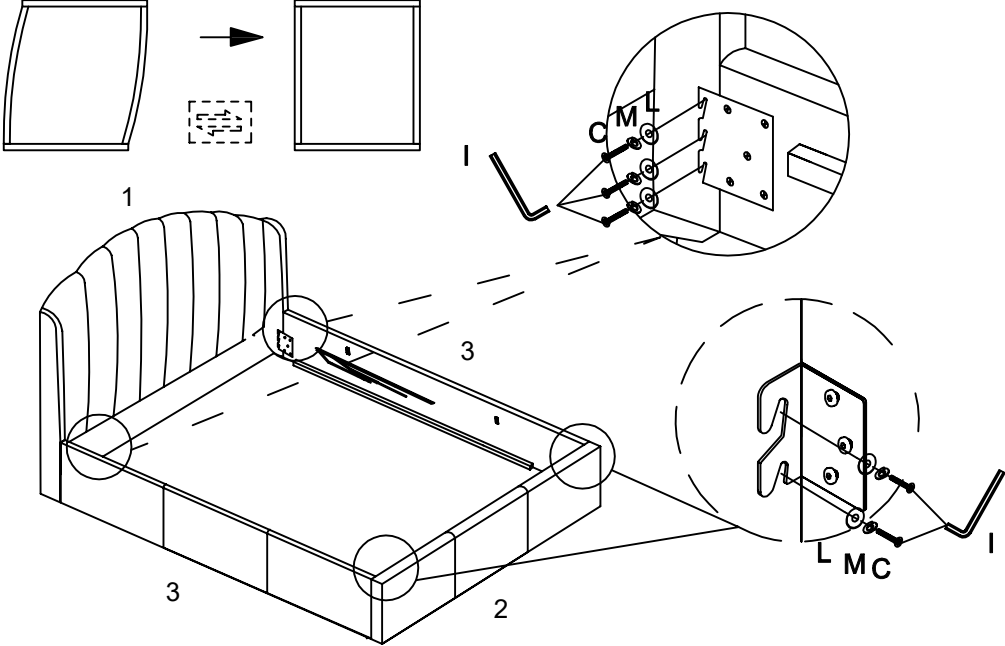
PETTINE END LIFT OTTOMAN BED

Layout Parts on Soft Surface

Lay out all 4 sides on a soft surface i.e.Rug,Carpet or Packing Carton



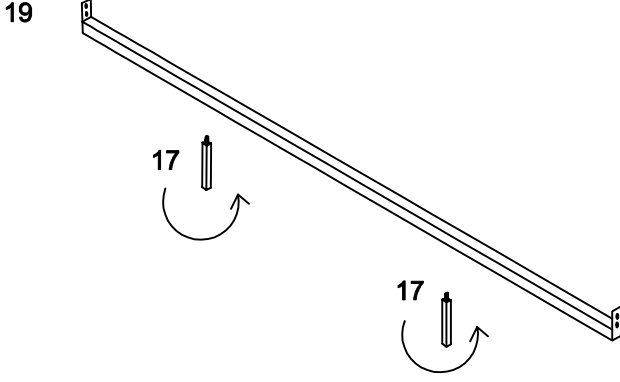
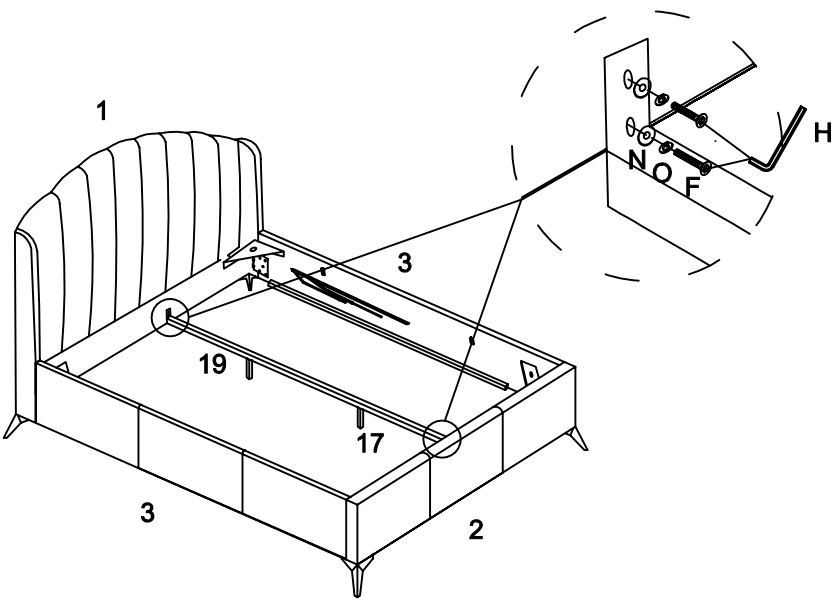
PETTINE END LIFT OTTOMAN BED

STEP 1	Parts Required
	<p>1.HEADBOARD X 1 4.WING BACK X 2 D X 6 L X 6 M X 6 I X 1</p>
STEP 2	Parts Required
 <p>Make sure the bed is square. Note: THEN tighten all bolts 100% using allen key</p>	<p>2.FOOTBOARD X 1 3.SIDE RAIL LEFT & RIGHT X 1 SET C X 10 L X 10 M X 10 I X 1</p>

PETTINE END LIFT OTTOMAN BED

STEP 3	Parts Required
<p>The diagram for Step 3 illustrates the assembly of the ottoman bed frame. It features a main perspective view of the bed with parts 1, 2, and 3 labeled. Two detailed callout diagrams show the attachment of triangle plates (5 and 16) to the frame using screws (F, N, O, H).</p>	<p>5, TRIANGLE PLATE (HB) X 2 16, TRIANGLE PLATE (FB) X 2 F X 16 N X 16 O X 16 H X 1</p>
STEP 4	Parts Required
<p>The diagram for Step 4 illustrates the attachment of legs (6) to the ottoman bed frame. It features a main perspective view of the bed with parts 1, 2, 3, and 6 labeled. A detailed callout diagram shows the attachment of a leg (6) to the frame using screws (F, N, O, H).</p>	<p>6, LEGS X 4 F X 8 N X 8 O X 8 H X 1</p>

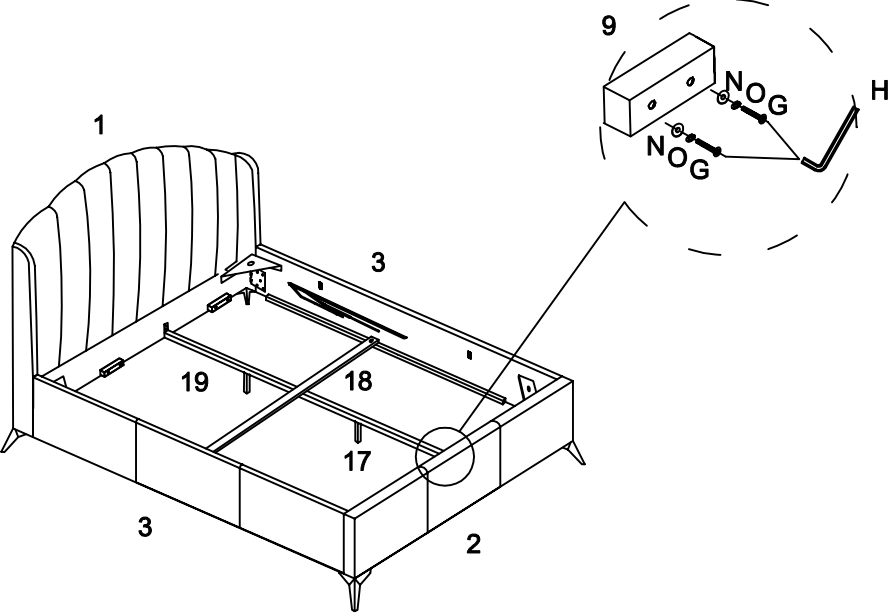
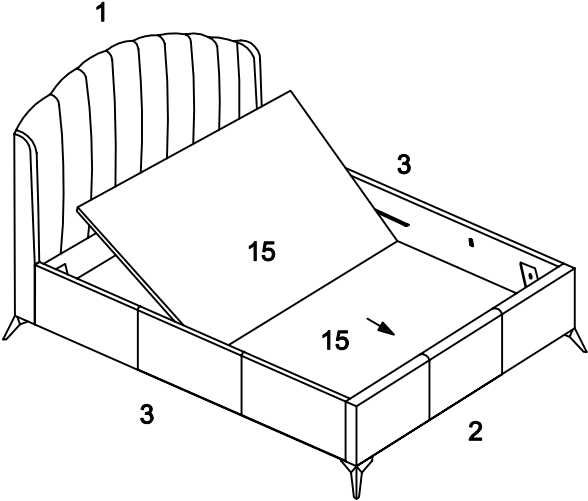
PETTINE END LIFT OTTOMAN BED

STEP 5	Parts Required
	<p>17.LOWER SUPPORT LEG X 2 19.LOWER MIDDLE RAILS X 1</p>
STEP 6	Parts Required
	<p>19.LOWER MIDDLE RAILS X 1 F X 4 N X 4 O X 4 H X 1</p>

PETTINE END LIFT OTTOMAN BED

STEP 7	Parts Required
	<p>18.BOTTOM CROSS METAL X 1 I X 1 D X 2 M X 4 L X 4 K X 2 J X 1</p>
STEP 8	Parts Required
	<p>7.STORAGE BASE SUPPORT X 4 H X 1 G X 8 N X 8 O X 8</p>

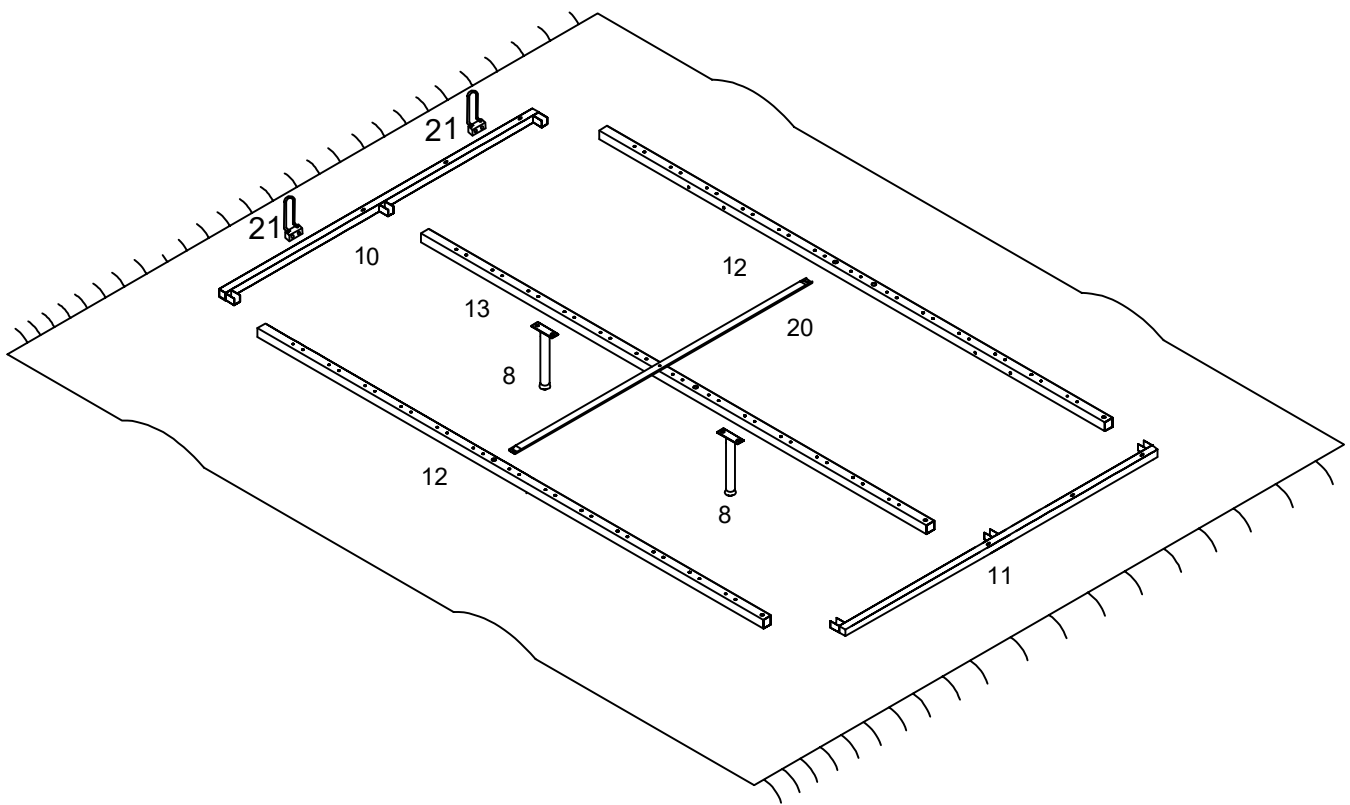
PETTINE END LIFT OTTOMAN BED

STEP 9	Parts Required
	<p>9.BASE SUPPORT X 1 H X 1 G X 2 N X 2 O X 2</p>
STEP 10	Parts Required
<p>Be careful not to stand on the storage panels as this could cause damage to the panels.</p> 	<p>15.STORAGE PANEL X 2</p>

PETTINE END LIFT OTTOMAN BED

Layout of Metal Frame

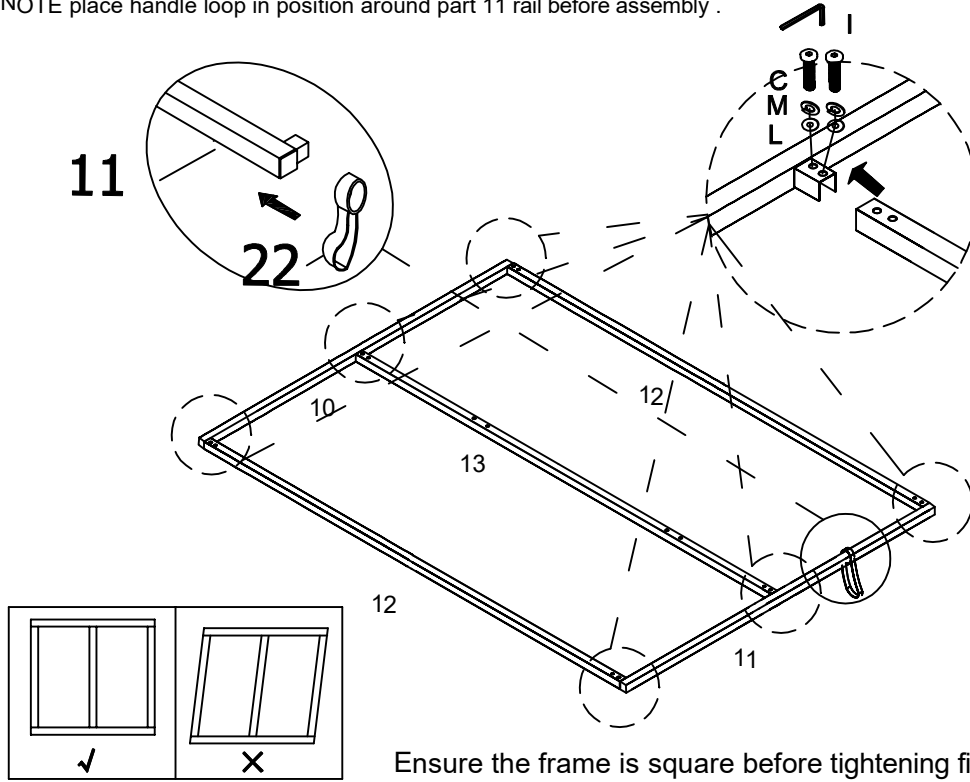
! IMPORTANT - Please ensure the frame poles are fitted according to the illustration exactly. If assembled without following this illustration, the frame will not fit to the bed correctly.



PETTINE END LIFT OTTOMAN BED

STEP 11

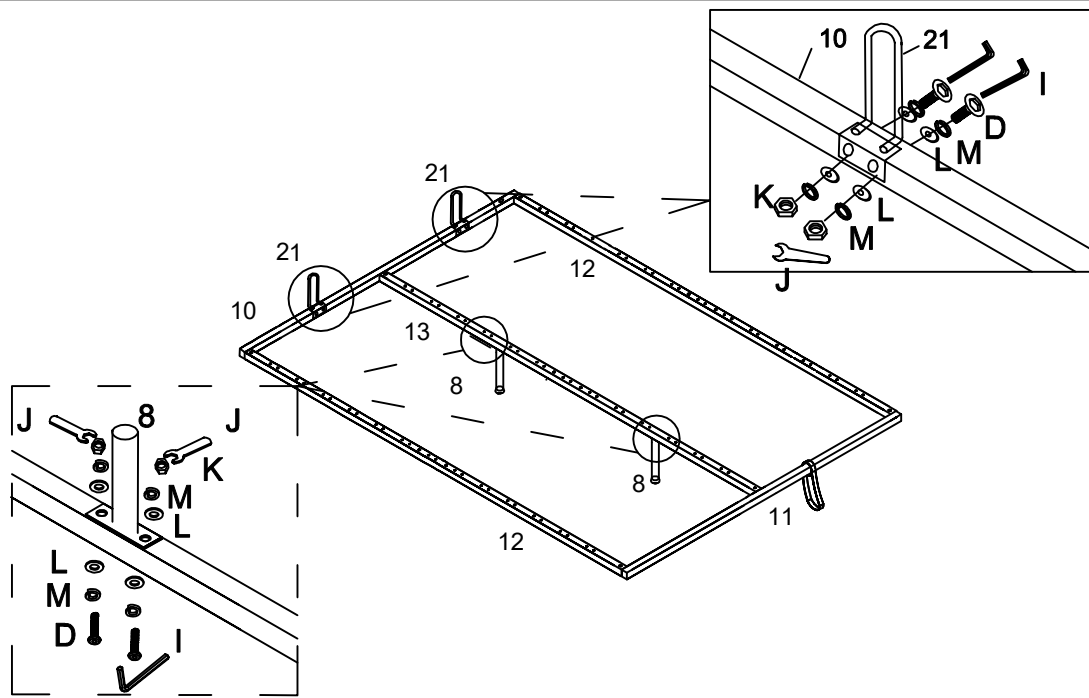
NOTE place handle loop in position around part 11 rail before assembly .



Parts Required

- 10.FRONT RAIL X 1
- 11.BACK RAIL X 1
- 12.LEFT&RIGHT RAIL X 2
- 13.CENTRE RAIL X 1
- 22.HANDLE X 1
- I X 1
- L X 12
- M X 12
- C X 12

STEP 12



Parts Required

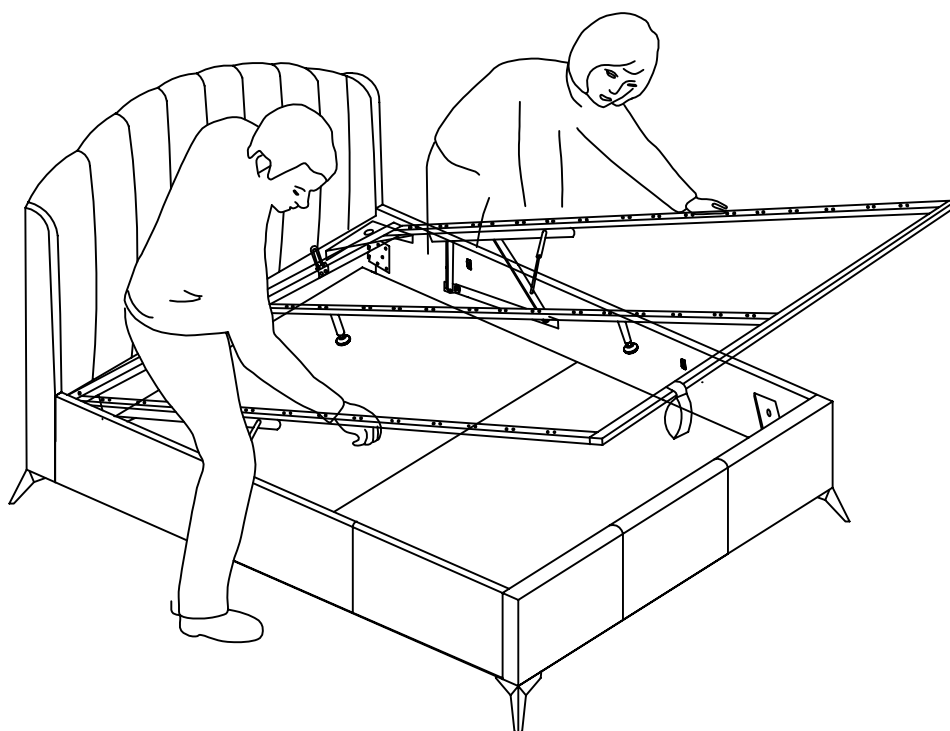
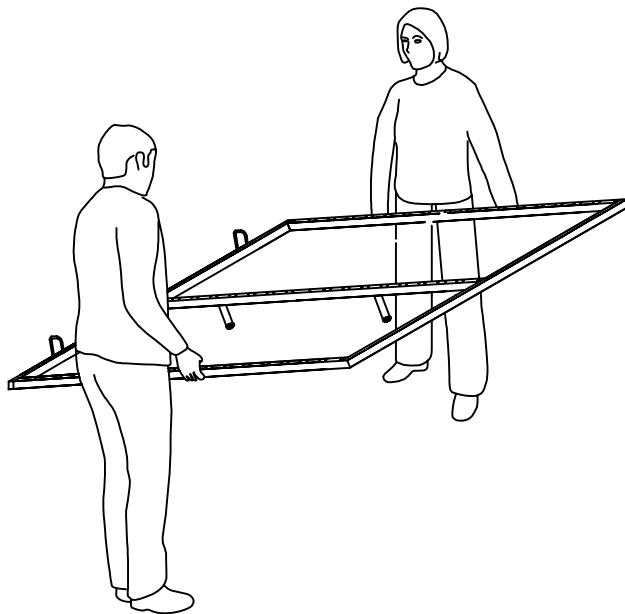
- 21.MATRESS SUPPORT X 2
- 8.LONG SUPPORT LEG X 2
- D X 8
- K X 8
- L X 16
- M X 16
- I X 1
- J X 1

PETTINE END LIFT OTTOMAN BED

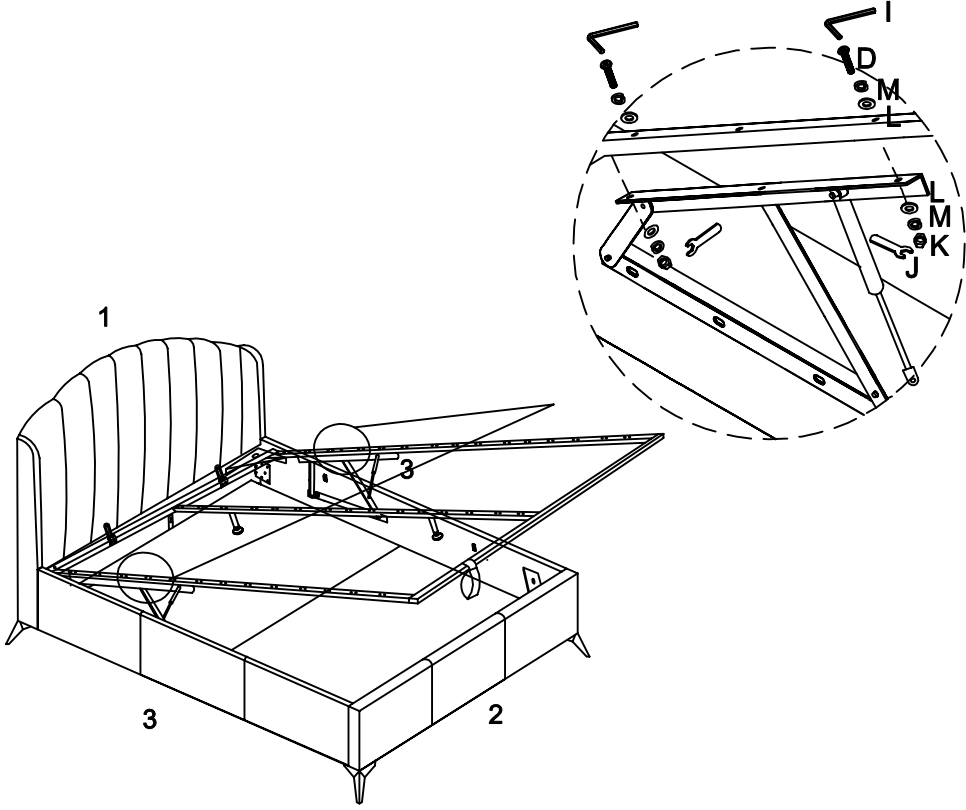
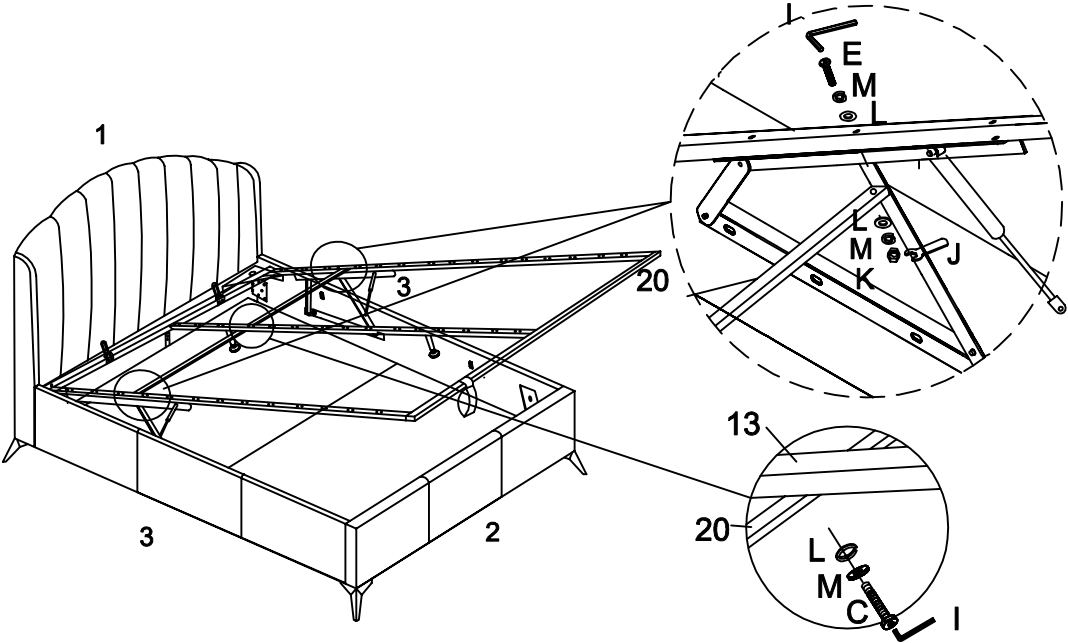
STEP 13

Parts Required

" 2" people are required to fit the frame safety.



PETTINE END LIFT OTTOMAN BED

STEP 14	Parts Required
	<ul style="list-style-type: none"> IX 1 DX 4 MX 8 LX 8 KX 4 JX 1
STEP 15	Parts Required
	<ul style="list-style-type: none"> 20. BED'S CROSS RAIL X 1 IX 1 EX 2 CX 1 MX 5 LX 5 KX 2 JX 1

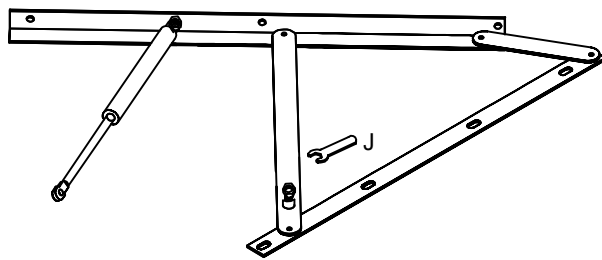
PETTINE END LIFT OTTOMAN BED

Parts
Required

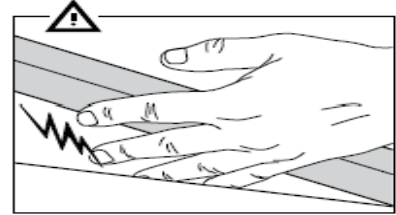
JX 1

STEP 16

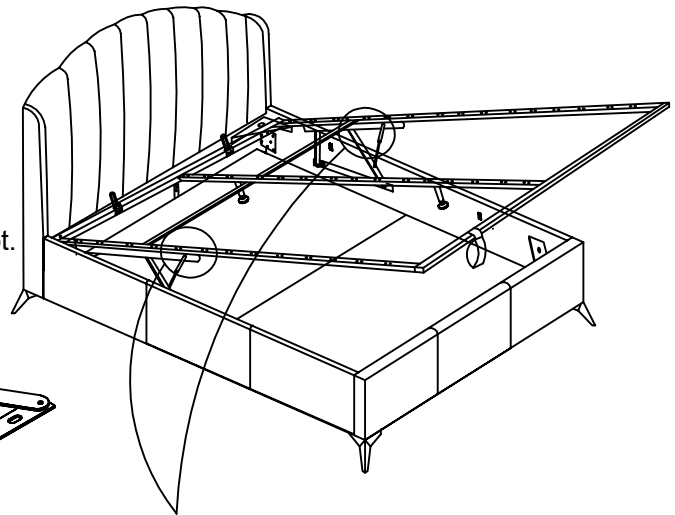
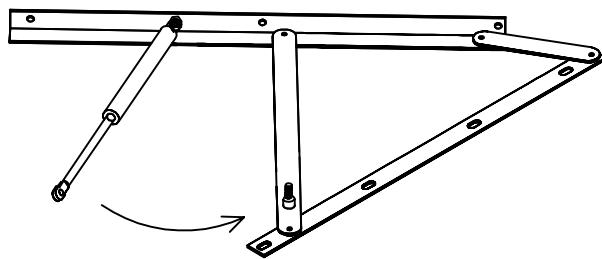
1. Removing the pre fitted nut from the hinge bracket.



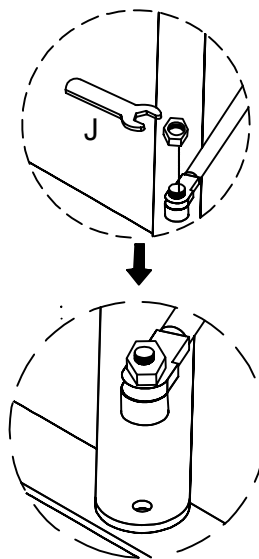
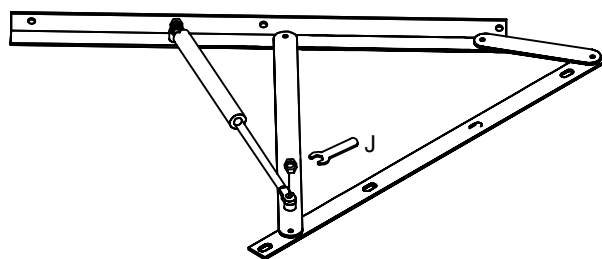
Hand entrapment



2. Placing the Piston bottom arm onto the hinge spigot.



3. Replacing and tightening the nut.

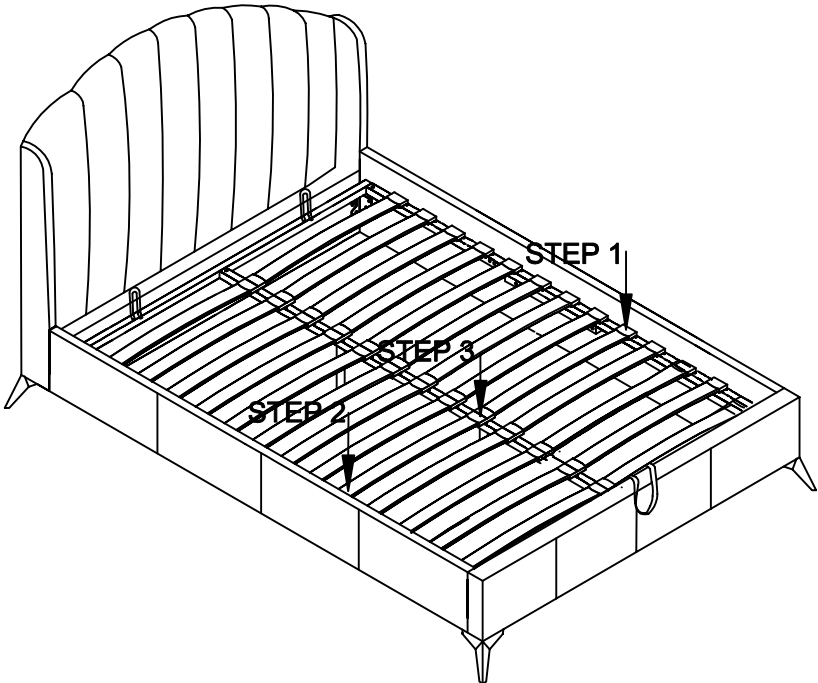
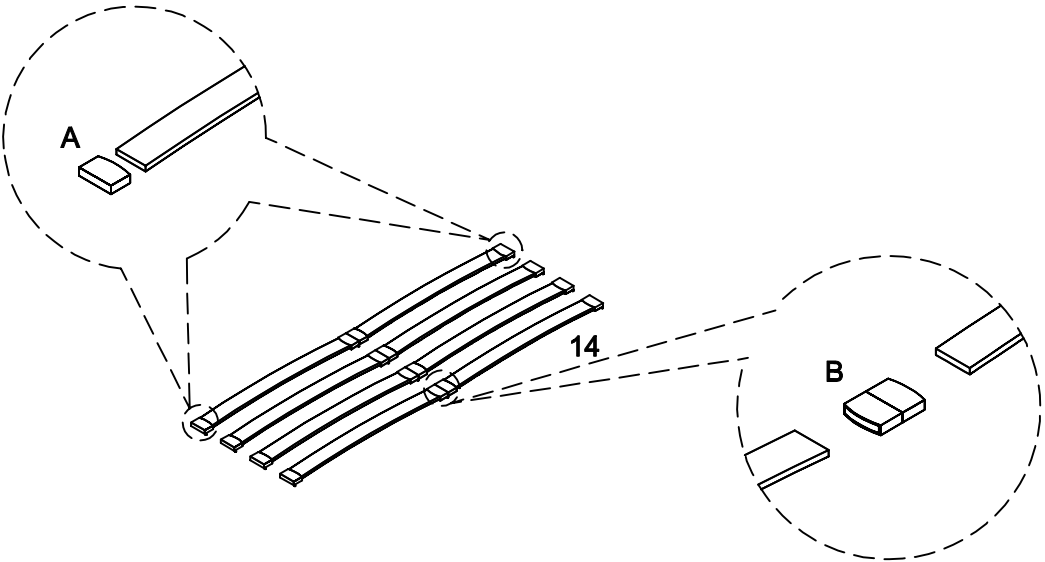


PETTINE END LIFT OTTOMAN BED

STEP 17

Parts Required

- 14. WOODEN SLAT
- 4FT6IN: X 28
- 5FT: X 30
- A
- 4FT6IN: X 28
- 5FT: X 30
- B
- 4FT6IN: X 14
- 5FT: X 15

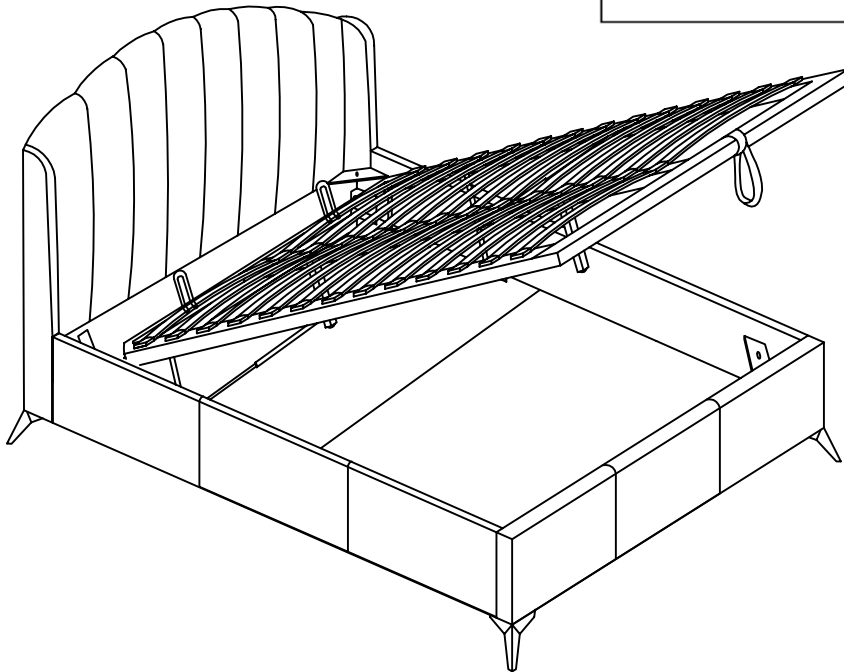
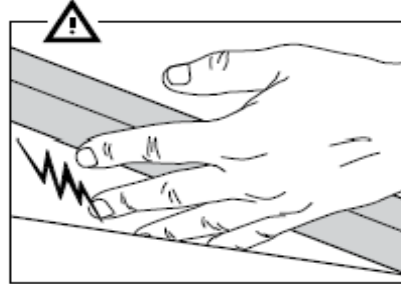


PETTINE END LIFT OTTOMAN BED

Complete Assembly

Your bed frame is now completely assembled but the ottoman will not operate correctly unless a mattress is placed on the slat frame and will not stay shut unless the mattress remains in position. To position the mattress on the slat frame, simply place the mattress on top of the slat frame whilst it is in the up (open) position.

Hand entrapment



Lift with the strap and close with the strap. The strap should always be accessible. Take care not to lean over the bed when lifting, if the mattress is thin and light, the frame may rise quickly. The speed of closing will also depend on the weight of the mattress so always keep fingers well clear of the metal frame.

PLEASE NOTE - It takes a lot of force to make the initial movement of the ottoman - THIS IS A DESIGN FEATURE OF THE PRODUCT SO THAT IT DOES NOT FALL SHUT - and the nearer to being closed the ottoman is, the easier it is to move. When the ottoman is almost shut, it will close completely under its own weight.

When lowering the slat unit for the first time, take care to make sure it does not rub unevenly on the inside face of the Side rail. If it does, the bed has been assembled slightly out of square. This can be rectified by moving the Footboard of the bed slightly to the left or right whilst leaving the headboard of the bed frame stationary.

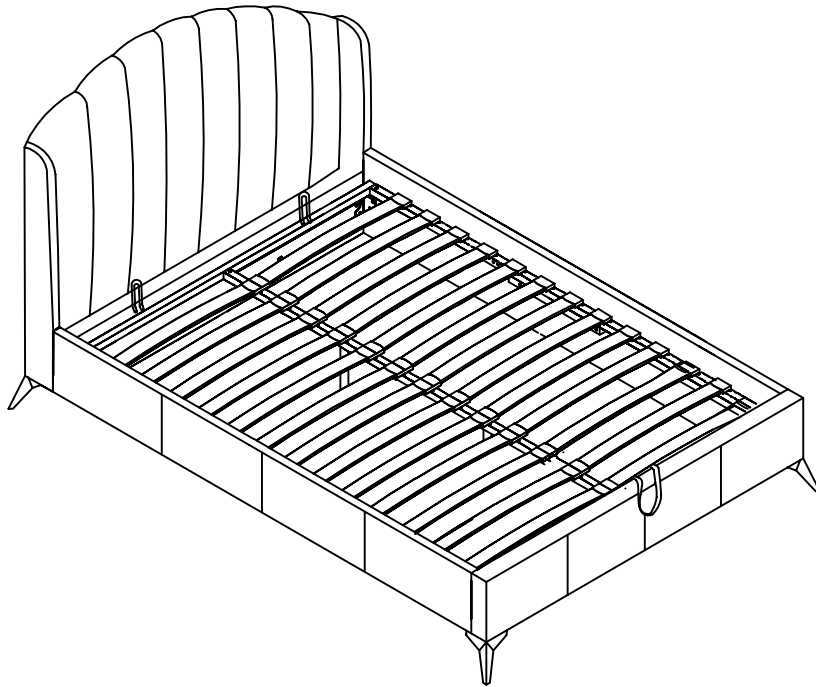
PETTINE END LIFT OTTOMAN BED

Complete Assembly

Your bed frame is now completely assembled.

Periodically check to ensure that the components are in their proper position, free from damage. Also, make sure the connectors are tight and secure.

WHEN STORING ITEMS IN THE OTTOMAN ENSURE THAT THE CENTER RAIL SUPPORT LEGS ARE FREE AND TOTALLY CLEAR FROM OBSTRUCTION WHEN CLOSING BEDSTEAD THE OTHERWISE DAMAGE CAN OCCUR TO THE LEGS AND FRAME.



keep instructions for future reference

