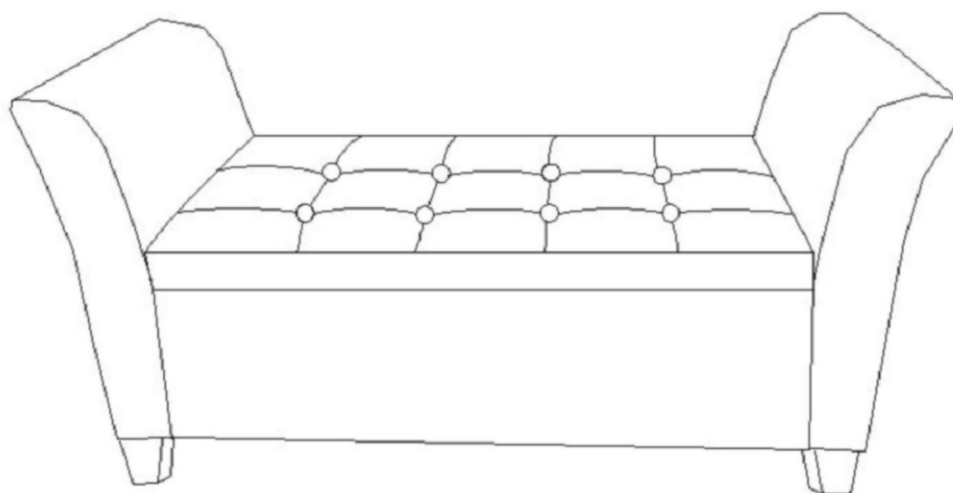


VERONA WINDOW SEAT ASSEMBLY INSTRUCTIONS

Thank you for purchasing the VERONA WINDOW SEAT. Please read the instructions carefully to ensure safe operation of the product.



Size: 1070x410x560mm

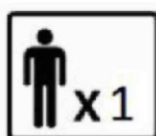
**Colour: BLACK PU / BROWN PU / CHARCOAL GREY /
HOPSACK GREY / WHITE PU / OYSTER
CRUSHED VELVET / GREY CRUSHED VELVET**

PLEASE READ this sheet prior to assembly to familiarise yourself with the various stages of construction.

Carefully open the pack supplied and check the contents against the parts and fittings check list. Do not destroy any of the packaging until you are certain that you have all the necessary parts for the assembly.

CAUTION: There are small components used in the construction of this unit. These loose items should be kept away from young children whilst assembling your unit to avoid the danger of choking hazards.

Tools Required



30 Min
Set Up

VERONA WINDOW SEAT ASSEMBLY INSTRUCTIONS

IMPORTANT - READ CAREFULLY - RETAIN THESE INSTRUCTIONS FOR FOR FUTURE REFERENCE.

INFORMATION

- This product is intended for a maximum weight of 110 kg. Do not exceed this weight
- Due to the size of this product we recommend that it is assembled in the room intended for use
- When you are ready to start, make sure that you have the right tools, plenty of space and a clean, dry area for assembly.
- Unwrap all packaging materials and place the components on top of the carton box or on a clean floor to prevent it from scratching.
- Check the pack and make sure you have all the parts listed.
- Ensure that this product is fully assembled as illustrated before use.
- Check all screws or bolts are tightened and inspect regularly
- Tools not included.

WARNINGS

- This product should only be used on firm, level ground.
- Keep small parts out of reach of children.
- Make sure the legs remain in contact with the ground.
- Do not use power tools to construct this product.
- Do not tighten screws until fully assembled.
- Do not over tighten screws or bolts.
- Do not use this product if parts are missing, damaged or worn.
- Do not stand on the product.



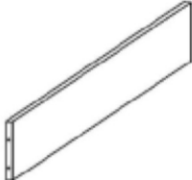


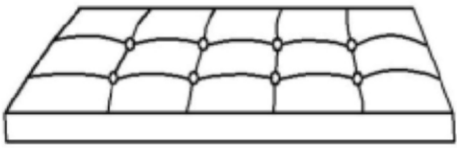
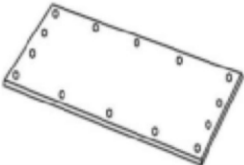
CARE INFORMATION

- Never use scourers, abrasives or chemical cleaners.
- To clean wipe with a sponge with warm soapy water. Do not use solvent based cleaners or detergents as they can bleach or damage the product.

VERONA WINDOW SEAT ASSEMBLY INSTRUCTIONS

Parts

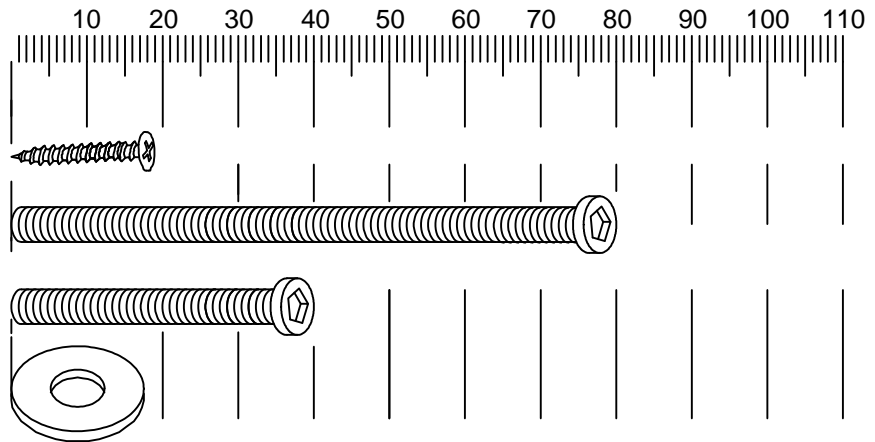
Please check the pack contents before assembling the product. If any components are missing, please contact your retailer. The fittings pack contains small items that should be kept away from small children.

<p>1</p> 	<p>2</p> 	<p>3</p> 
<p>LEFT SIDE PANEL 1 PC CARTON 1 OF 1</p>	<p>RIGHT SIDE PANEL 1 PC CARTON 1 OF 1</p>	<p>FRONT PANEL 1 PC CARTON 1 OF 1</p>
<p>4</p> 	<p>5</p> 	<p>6</p> 
<p>FEET 4 PCS CARTON 1 OF 1</p>	<p>BACK PANEL 1 PC CARTON 1 OF 1</p>	<p>TOP PANEL 1 PC CARTON 1 OF 1</p>
<p>7</p>  <p>BOTTOM PANEL 1 PC CARTON 1 OF 1</p>		

VERONA WINDOW SEAT ASSEMBLY INSTRUCTIONS

Fixings (to scale)

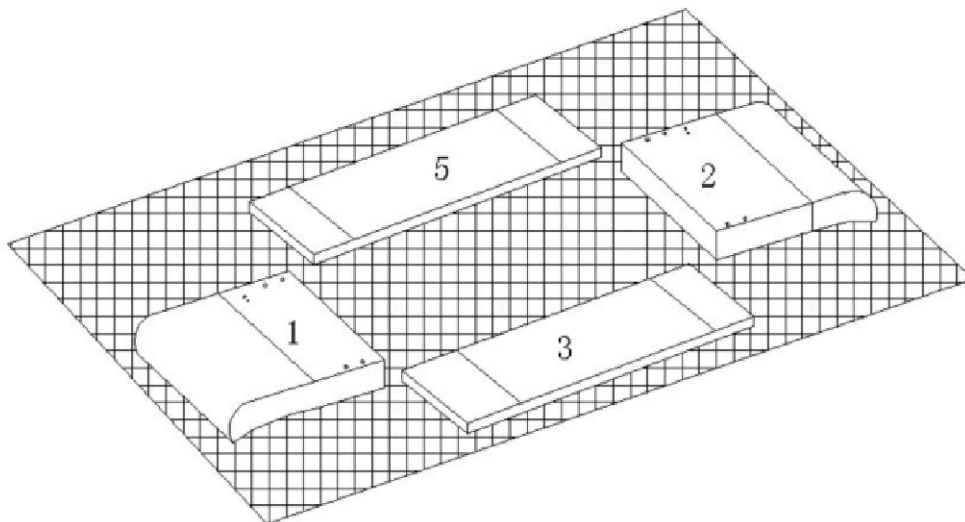
Ref	Dimensions	Qty
A	SCREW-3 x 19MM	28PCS
B	LARGE BOLT 5/16" x 80MM	4PCS
C	SMALL BOLT 5/16"x40MM	8PCS
D	Washer-5/16"	12PCS



Hardware list(Not to scale)

E	Allen Key M5	1PC	
F	HINGE	2PCS	
G	PHILLIPS SCREWDRIVER (NOT SUPPLIED)	1PC	

Lay out all pieces on a soft surface i.e. Rug, Carpet or Packaging Carton

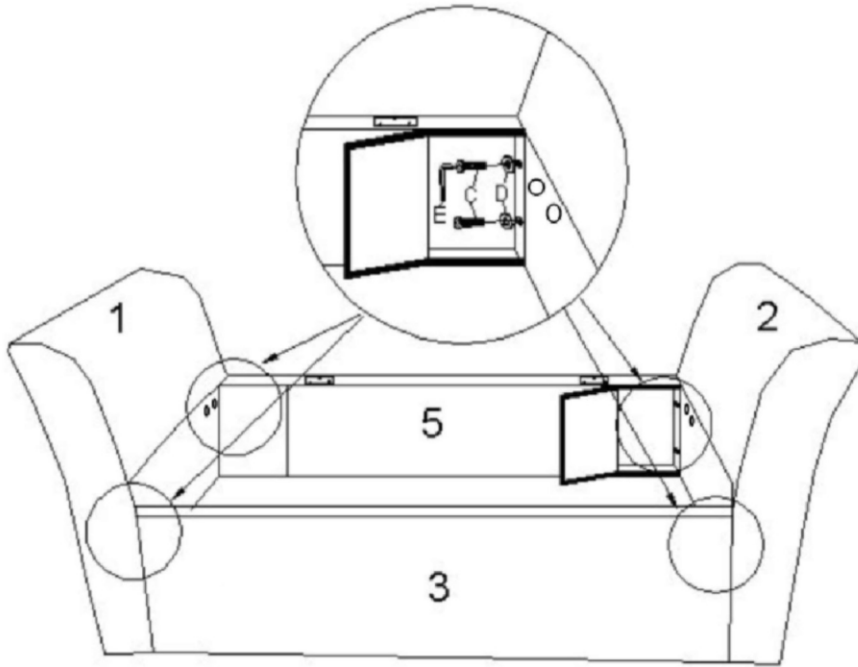


VERONA WINDOW SEAT ASSEMBLY INSTRUCTIONS

STEP 1

Parts Required

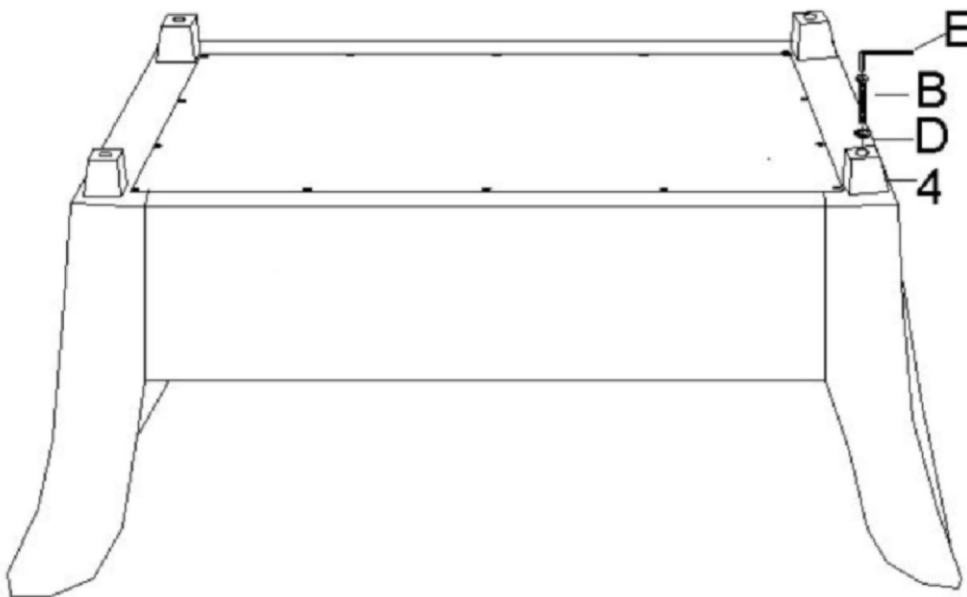
- 1. LEFT SIDE PANEL 1pc
- 2. RIGHT SIDE PANEL 1pc
- 3. FRONT PANEL 1pc
- 5. BACK PANEL 1pc
- C. Small Bolt x 8pcs
- D. Washer x 8pcs
- E. Allen Key x 1pc



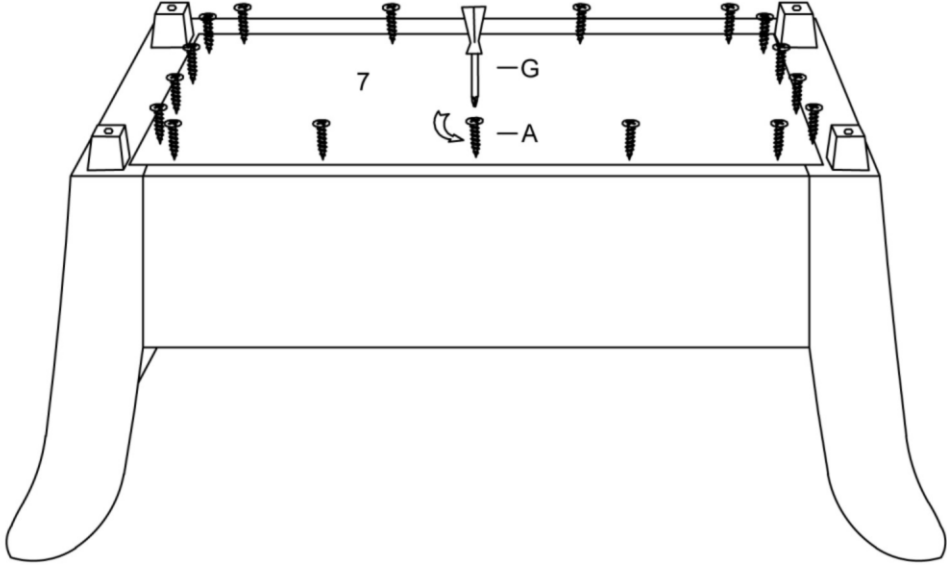
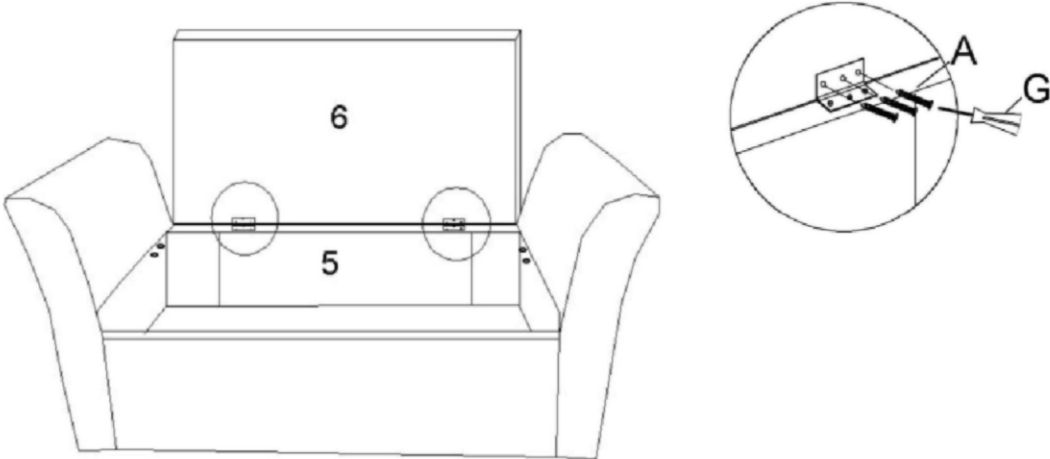
STEP 2

Parts Required

- 4. FEET 4pcs
- B. Large Bolt x 4pcs
- D. Washer x 4pcs
- E. Allen Key x 1pc



VERONA WINDOW SEAT ASSEMBLY INSTRUCTIONS

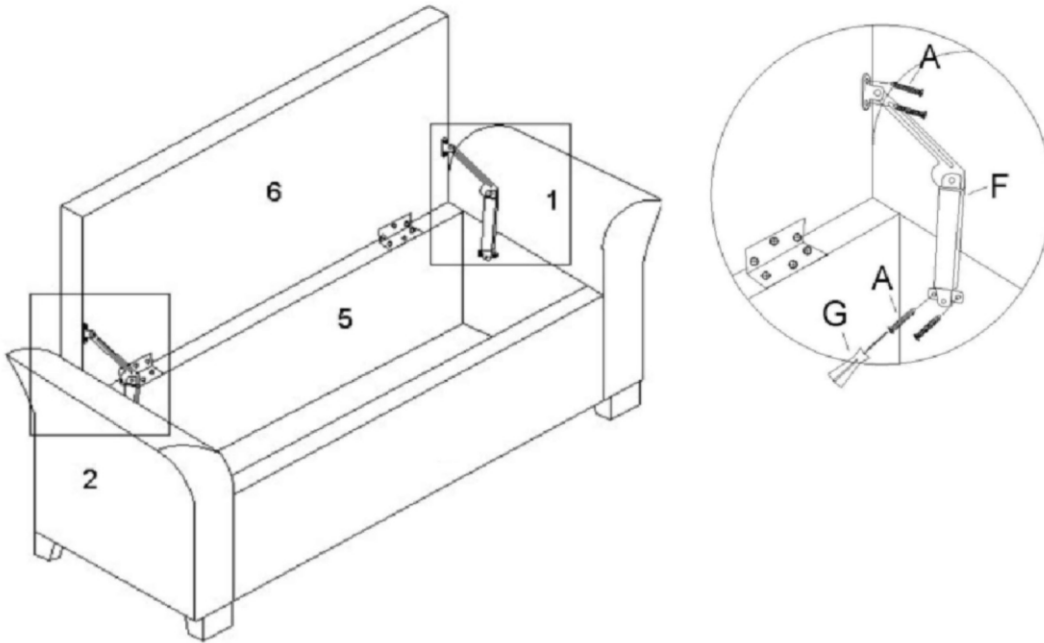
STEP 3	Parts Required
	<p>7. BOTTOM PANEL 1pc</p> <p>A. Screw 14pcs G. Screwdriver (Not Supplied)</p>
STEP 4	Parts Required
 <p>Remark: " Position the lid so it is central between the arms before affixing to the hinge "</p>	<p>6. Top Panel 1pc</p> <p>A. Screw 6pcs G. Screwdriver (Not Supplied)</p>

VERONA WINDOW SEAT ASSEMBLY INSTRUCTIONS

STEP 5

Parts Required

- A. Screw 8pcs
- F. Hinge 2pcs
- G. Screwdriver (Not Supplied)



COMPLETE

