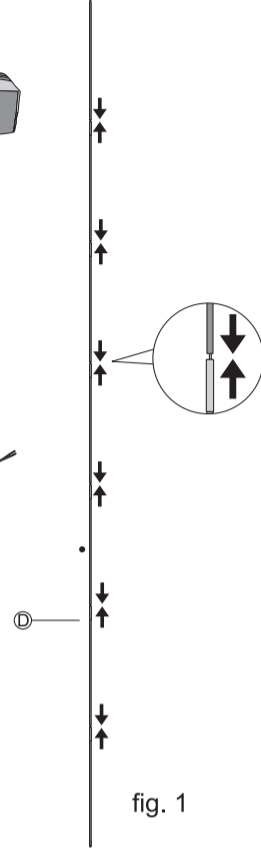
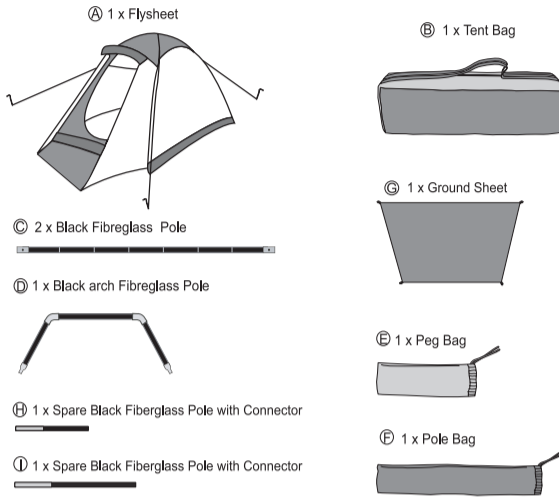


210MM

15MM

9275685 / 9275719 / 9392551 / 9019827

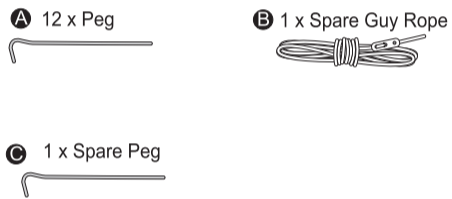
Components



150MM

front

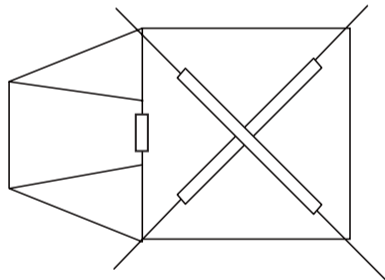
Fittings



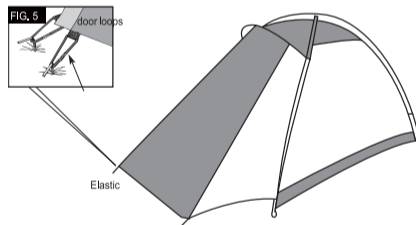
1. Open the Tent Bag **B**, take out and separate components.
2. Assemble the fibreglass poles **C** and the fibreglass pole **D**. All the poles are for the flysheet. (fig. 1)

fig. 1

3. Spread tent. Take 2 longer poles and insert to sleeve poles.



5. Use metal pegs to secure the tent (fig.5)

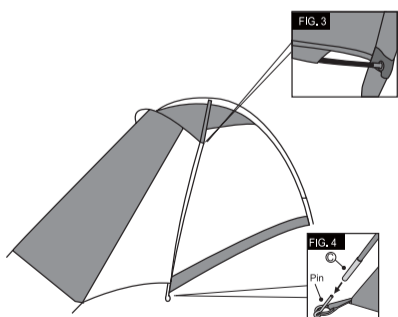


7. The guy ropes can be adjusted to even the tension all around the tent(fig.7)



YOUR TENT IS NOW READY FOR USE.

4. Insert the poles to the pin and ring(fig.4) and bend to fit the other end. Insert the arch pole on the eyelet, bend the other end to fit the other end(fig.3)



6. Secure the completed tent by pegging the guy ropes and flysheet into the ground using pegs(fig.6)



back

150MM

! IMPORTANT

For Expert advice, please Phone Argos Helpline On:
0845 640 0800

Address: 489-499 Avebury Boulevard Saxon Gate West,
Central Milton Keynes Bucks, MK9, 2NW