

COOKWORKS

WHOLE FRUIT JUICER

INSTRUCTION MANUAL



Read all the instructions carefully before using and please retain this instruction manual for further reference.

IMPORTANT SAFEGUARDS

When using electrical appliances, basic safety precautions should always be followed, including the following:

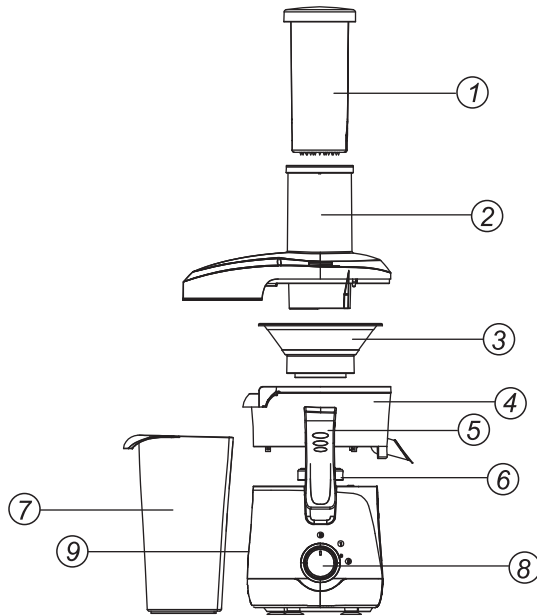
1. Read all instructions.■
2. Do not disassemble the juice extractor when it is plugged in, do not immerse the appliance in water or any other liquid.■
3. Close supervision is necessary when any appliance is operated near children.■
4. The appliance must not be used by children.■
5. The appliance must always be unplugged when not in use and before cleaning or maintenance.■
6. Do not operate any appliance with damaged cord or plug, or if appliance malfunctions or is damaged in any manner.■
7. This appliance is designed for indoor use only.
8. Do not allow cord to hang over edge of table or counter, or touch hot surfaces.■
9. Do not place unit on or near a gas or electric burner or a heated oven.■
10. Do not leave the appliance unattended. Do not use the appliance for other than its intended use.■
11. Do not use abrasive cleaners or scouring pad on appliance.■
Avoid contacting with moving parts. ■
12. Do not use other attachments not recommended by manufacturer, as they may cause fire, electric shock or injury.■
13. Always make sure juicer cover is clamped down securely in place before motor is turned on. Do not fasten or unfasten clamps while juicer is in operation. Unit is designed to shut off automatically if locks are not fastened securely in place.■
14. The appliance is not to be operated if the locks are unfastened when the switch is on. Never operate unit unless it is fully assembled.
15. Ensure switch off the unit after each use. Make sure the motor stops completely before disassembled.■
16. Do not put fingers or other objects into juicer opening while it is in operation. If food becomes lodged in opening, use food plunger or another piece of fruit or vegetable to push it down. If this doesn't work, turn the motor off, unplug unit, then disassemble juicer to remove remaining food.■

17. Make sure filter unit is firmly attached to adapter.
18. Do not overload appliance or use excessive force to press food through the feeding hole.
19. Do not run the juicer continuously for longer than 1 minute. Turn it off and let it cool down at least 2 minutes; otherwise the motor may become damaged.
20. Do not use the appliance if the rotating sieve is damaged.
21. Switch off the appliance before changing accessories or approaching parts which move in use.
22. If the supply cord is damaged, it must be replaced by the manufacturer, its Service agent or similarly qualified persons in order to avoid a hazard.
23. The extra large feed hole allows whole fruit and vegetables to be juiced, however, some fruit and vegetables may require other preparation before juicing, such as peeling and removing stones.
24. Always disconnect the appliance from the supply if it is left unattended and before assembling, disassembling or cleaning.
25. This appliance shall not be used by children. Keep the appliance and its cord out of reach of children.
26. Appliances can be used by persons with reduced physical, sensory or mental capabilities or lack of experience and knowledge if they have been given supervision or instruction concerning use of the appliance in a safe way and if they understand the hazards involved.
27. Children shall not play with the appliance.
28. Do not use the appliance if the rotating sieve or the protecting cover is damaged or has visible cracks. Switch off the appliance and disconnect from supply before changing accessories or approaching parts that move in use.
29. This appliance is intended to be used in household and similar applications.
30. This appliance can be used by children aged from 8 years and above if they have been given supervision or instruction concerning use of the appliance in a safe way and if they understand the hazards involved.
31. Cleaning and user maintenance shall not be made by children unless they are aged from 8 years and above and supervised. Keep the appliance and its cord out of reach of children aged less than 8 years.

Caution:

Grater has sharp blade always use plunger, be careful of moving parts. Keep fingers out of feeder and discharge opening. Unplug unit before Cleaning and before assembling and removing parts.

KNOW YOUR APPLIANCE



1. Plunger
2. Protective cover
3. Stainless steel grater and filter
4. Residue collector
5. Plastic lock
6. Centre spindle
7. Residue container
8. Power control dial
9. Motor unit

BEFORE USING FOR THE FIRST TIME

- Check that the voltage of the appliance corresponds to the voltage at your house.
- Wash the parts of the product, which will come into contact with the fruit.
- Practice assembling and dismantling the unit a few times before adding fruit or vegetables.

DISMANTLING AND ASSEMBLY

- Turn the switch to Off position, open the Locks (5).
- Remove the Protective cover (2).
- Pull the Grater and filter unit (3) upwards.
- Place the residue collector (4) on motor unit (9), push with both hands until it is clicked into place.
- Insert the Grater and filter unit, turn it clockwise until it sits securely.
- Mount the protective cover and fasten the Locks.
- Put the Residue container (7) under the spout of residue collector (4), then set the Juice container under the Juice spout.

OPERATING INSTRUCTIONS

- This appliance equipped with a safety system. If the cover is not correctly in place or the Locks are unfastened, the appliance will not function.
- Before plug in make sure the switch is Off and the Locks are fastened correctly.
- The appliance is able to juice a whole fruit. In case the fruit size is big, cut fruits into small pieces so as to be fitted into the feeding tube.
- Remove the stone or peel from those citrus and fruits: peaches, prunes, apricots, oranges, lemons, melons etc.
- Place juice container under spout of juice extractor.
- Switch on the unit to dial 1 or dial 2 for different speed setting.
- Feed the pre-prepared fruits and vegetables into the juice extractor and press down gently with the plunger. Never use your fingers to push in the fruits.
- The juice will flow directly out of the spout into container during juicing, separating the pulp into residue container.
- Fruits or vegetables can be fed in continually without turning off the appliance.
- Switch off and unplug after each use.

Note: Do not operate the unit for more than 1 minute at a time as this may cause overheating. There is a built in overheat protector which will switch the unit off. If the unit has been switched off by the protector, switch the unit “OFF” and wait for 30 minutes and it will resume normal.

USEFUL INFORMATION

- Fruits and vegetables of different types can be processed without cleaning the appliance after each operation. The flavour will not mix.
- The natural juices must be drunk immediately after their preparation for maximum flavour and vitamin benefit. However, if you wish to keep the juice for several hours, add some lemon juice as a natural preservative.
- The juicer has 2 different speed settings, we recommend the following:

1 (low operating speed)	2 (high operating speed)
Apricots (stones removed)	Apples
Bananas (skin removed)	Carrots
Blueberries	Celery
Cherries (stones removed)	Ginger
Grapefruit (skin removed)	Grapes (seeds removed)
Lemon (skin removed)	Mint
Mangoes (skin & seen removed)	Pineapple (skin removed)
Oranges (skin removed)	Spinach
Peaches (stones removed)	Fennel
Raspberries	Coriander
Strawberries	Parsley
Tomatoes	Beetroot
Watermelon (skin removed)	

CLEANING

- Before cleaning ensure power is switched off and unplugged.
- The filter is very sharp and must be handled with care.
- Remove the cover and residue collector as well as Grater and filter unit.
- Remove the pulp from the reservoir and the cover and wash both parts.
- Wash the grater and filter unit under running water with a soft brush.
- Clean the outside of the motor unit only with a damp cloth.
- This unit must not be immersed in water or any other liquids.

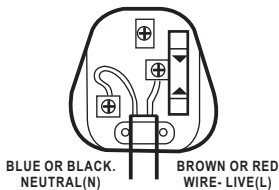
DO NOT IMMERSE IN WATER OR ANY LIQUID

CONNECTION TO POWER

- Before connecting, check that the voltage indicated on the appliance (bottom of the appliance) corresponds with the main voltage in your home. If this is not the case, consult your dealer and do not use.
- This appliance may be fitted with a non-rewirable plug. If you need to change the fuse in a non-rewirable plug, the fuse cover must be refitted. If the fuse cover is lost or damaged, the plug must not be used until a replacement is obtained (available from the appliance manufacturer).
- If the plug has to be changed because it is not suitable for your socket, or becomes damaged, it should be cut off and appropriate plug fitted following the wiring instructions. The plug removed must be disposed of safely as insertion into a mains socket is likely to cause an electrical hazard.
- This equipment must be disconnected from the mains when not in use. Do not allow this unit to be exposed to rain or moisture.

For your own safety read the following instructions carefully before attempting to connect this unit to the mains.

You should only plug the appliance into a 220V-240V AC, 50Hz supply. Connecting it to other power sources may damage the appliance.



The wires in this mains lead are coloured in accordance with the following code:

BLUE = NEUTRAL
BROWN = LIVE

IMPORTANT

The colours of the wires in the mains lead of this appliance may not correspond with the coloured markings identifying the terminals in your plug, proceed as follows:



Caution
To prevent electric shock disconnect from the
mains before removing the cover

- The blue wire must be connected to the terminal marked with the letter N or coloured black.
- The brown wire must be connected to the terminal marked with the letter L or coloured red.

If a 13 Amp (BS1363) fused plug is used it must be fitted with a 13A fuse conforming to BS1362 and be ASTA approved.

If in doubt contact a qualified electrician

GUARANTEE

This product is guaranteed against manufacturing defects for a period of 1 year.

This does not cover the product where the fault is due to misuse, abuse, use in contravention of the instructions, or where the product has been the subject of unauthorised modifications or alterations, or has been the subject of commercial use

In the event of a problem with the product within the guarantee period please return it to your nearest Argos store

If the item is shown to have had an inherent defect present at the time of sale, the store will provide you with a replacement. Your statutory rights remain unaffected

Guarantor: Argos Ltd
489 499 Avebury Boulevard
Central Milton Keynes
MK9 2NW