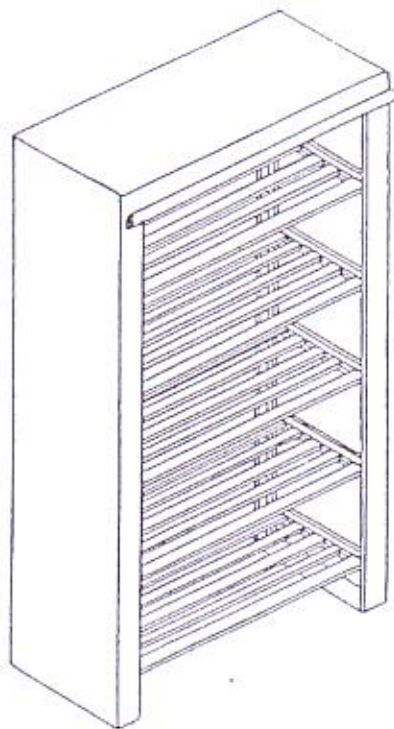


5 TIER SHELF UNIT

Easy Assembly Instruction



Before you start, here is some helpful advice .

1. We suggest you spend a short time reading through this leaflet and then follow the simple step by step instructions.
2. If you follow the instructions carefully the end result should be worth the effort.
3. Do not discard any of the packaging until you have checked that you have all the parts and the pack of fittings.
4. Assemble this product on a carpet.
5. To ensure an easier assembly, we strongly advise that all fittings are only finger tightened during initial assembly. Only upon completion of the assembly should all fixing points be fully tightened.
6. We recommend a periodic check on all fixing points to make sure they remain fully tightened.
7. Keep glue and fittings out of children's reach.

875/2745

Component parts and fittings contained in the box

PARTS

FITTINGS

PARTS & FITTINGS

IMPORTANT: Please note that all wooden parts are identified with numbers corresponding to those shown in this instruction leaflet. Please also take note of the position of the holes on each part.



① QTY-1



② QTY-1



③ QTY-1



④ QTY-1



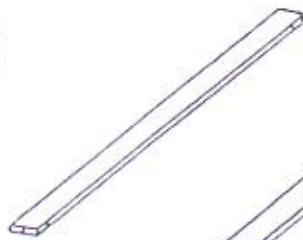
⑤ QTY-2



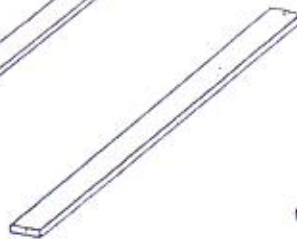
⑥ QTY-7



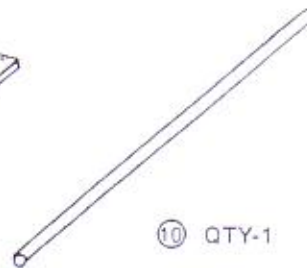
⑦ QTY-10



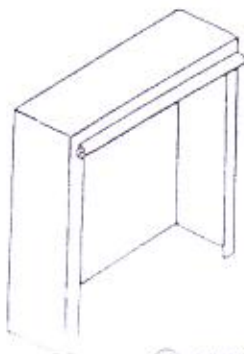
⑧ QTY-10
(WITH EXTRA HOLES)



⑨ QTY-15



⑩ QTY-1



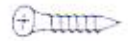
⑪ QTY-1



Ⓐ QTY-58



Ⓑ QTY-40

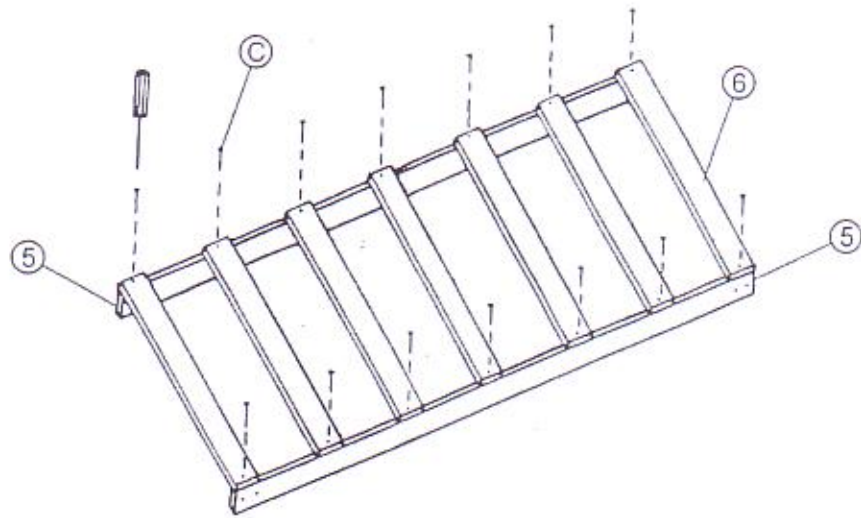


Ⓒ QTY-14

ASSEMBLY

STEP 1

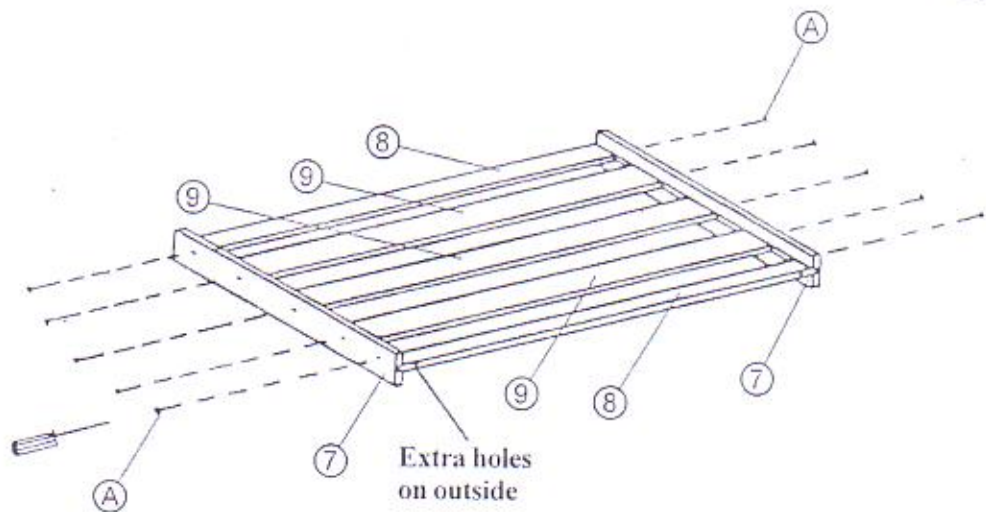
- 1) Secure top shelf slats (6) to shelf side rails (5) using fixings (C).



STEP 2

- 1) Assemble slatted shelves.

- 2) Slats (8) have extra holes on 1 side. These extra holes must be on the outside edges.



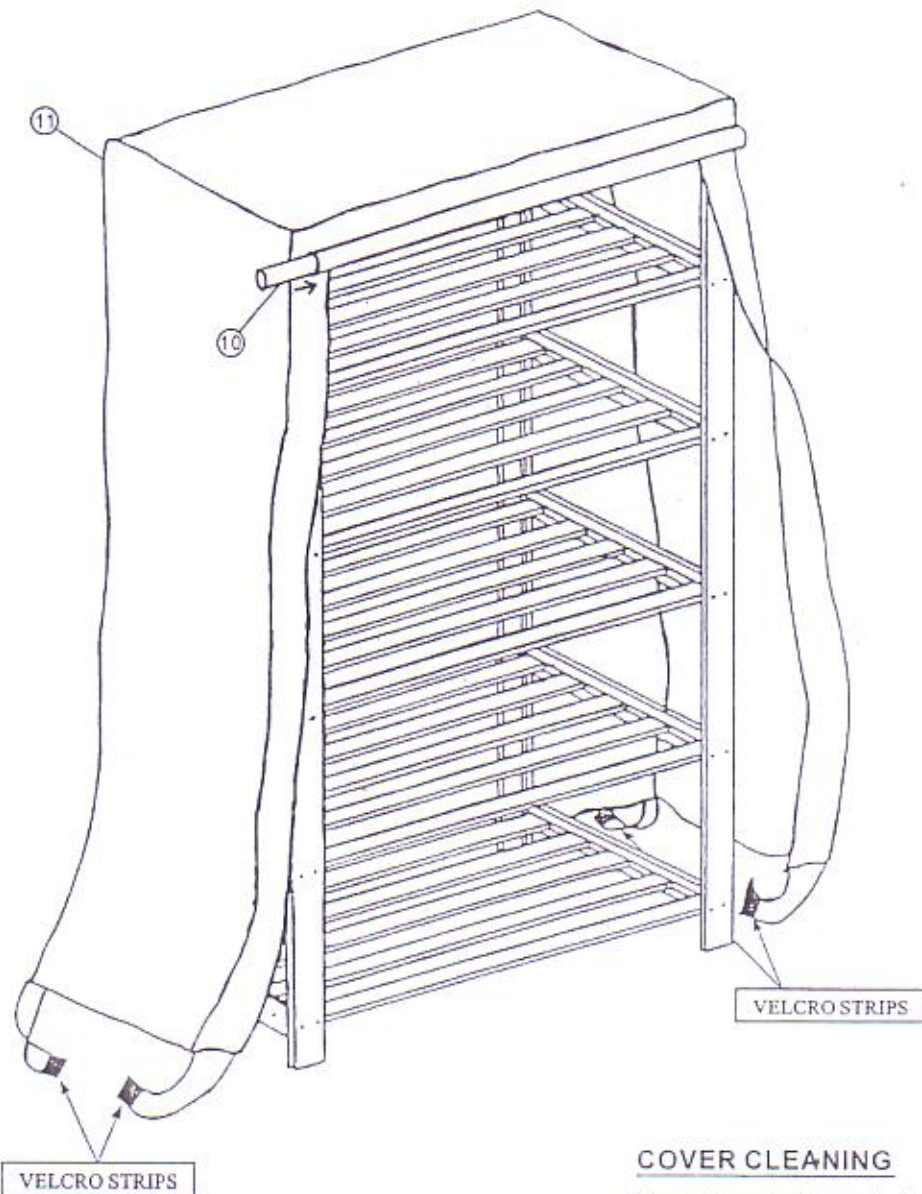
ASSEMBLY



STEP 4

1) Place canvas cover ⑪ over the assembled frame and secure using velcro strips.

2) Slide cover pole ⑩ into the seam in the bottom of the front flap.



COVER CLEANING

Minor stains and spillages should be removed immediately using a damp cloth and mild soapy water. Do not soak the fabric or shrinkage may occur! Light marking can also be removed using this method.

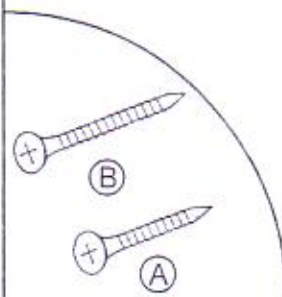
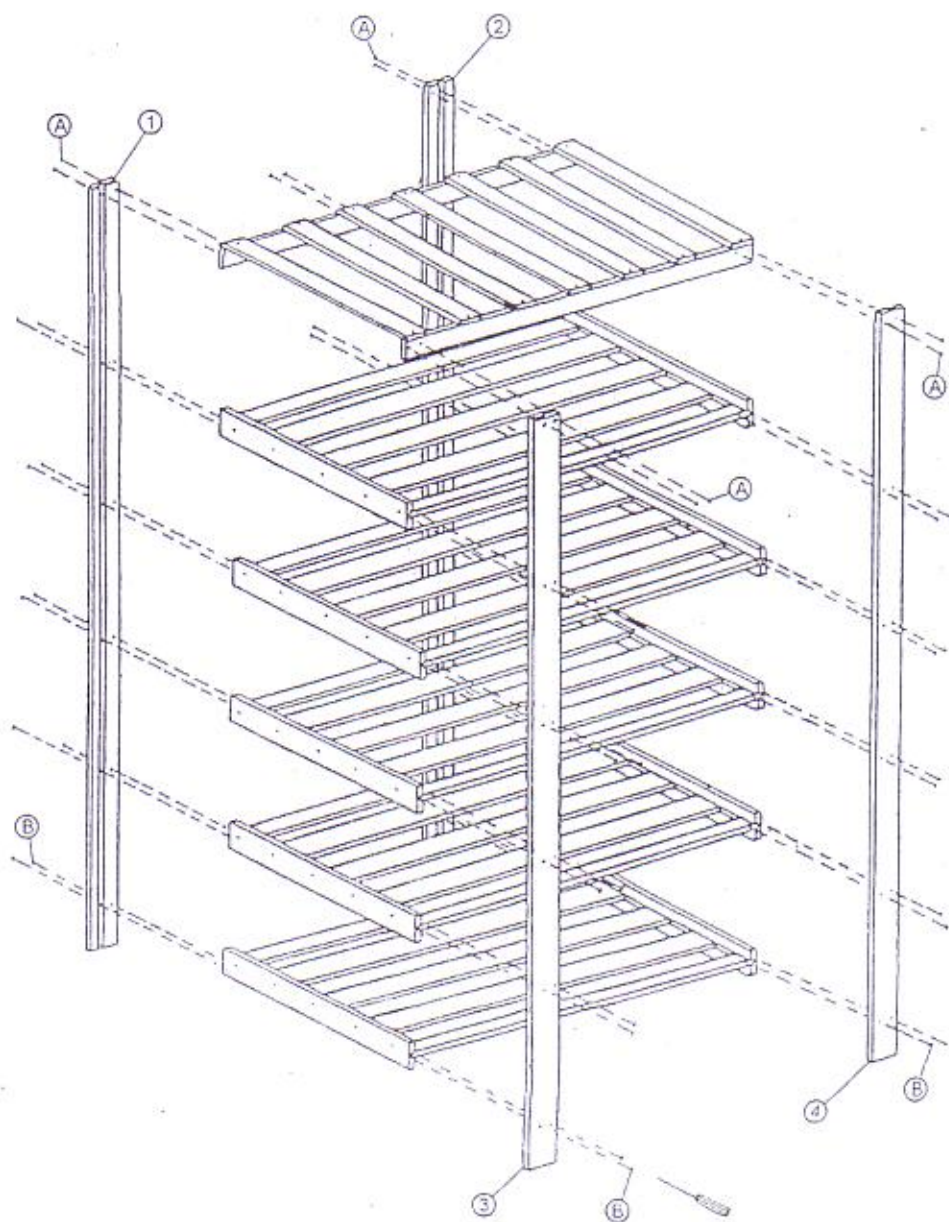
To remove stubborn stains or markings, a good quality proprietary 'domestic' fabric cleaner can be used, although it should first be tested on an inconspicuous area of the cover.

ASSEMBLY

STEP 3

1) Fit slatted shelves in between corner posts ①, ②, ③ and ④ as shown. Use fixings ② to secure.

2) Fit top frame in between corner posts ①, ②, ③ and ④ as shown. Use fixings ① to secure.



Solid wood/Real wood veneers.

This product has been finished using natural materials. As a living material, you may notice some variation in the grain and colour shade between the different component parts.

Unlike a synthetic or man-made material which has a uniform finish, a feature of natural wood is its variation in grain and colour. We wish to reassure you that this is quite normal, and is not the result of any manufacturing fault.

Where sheets of veneer are joined together, a line may be detected. Again, this is normal, and is not an imperfection.

The natural finish should be cared for by the periodic application of a good quality 'wax' based domestic furniture polish (Not silicone!!). Occasional / small spills should be removed immediately using a damp cloth.

Do not allow hot articles to come into contact with the surface, as damage will occur!