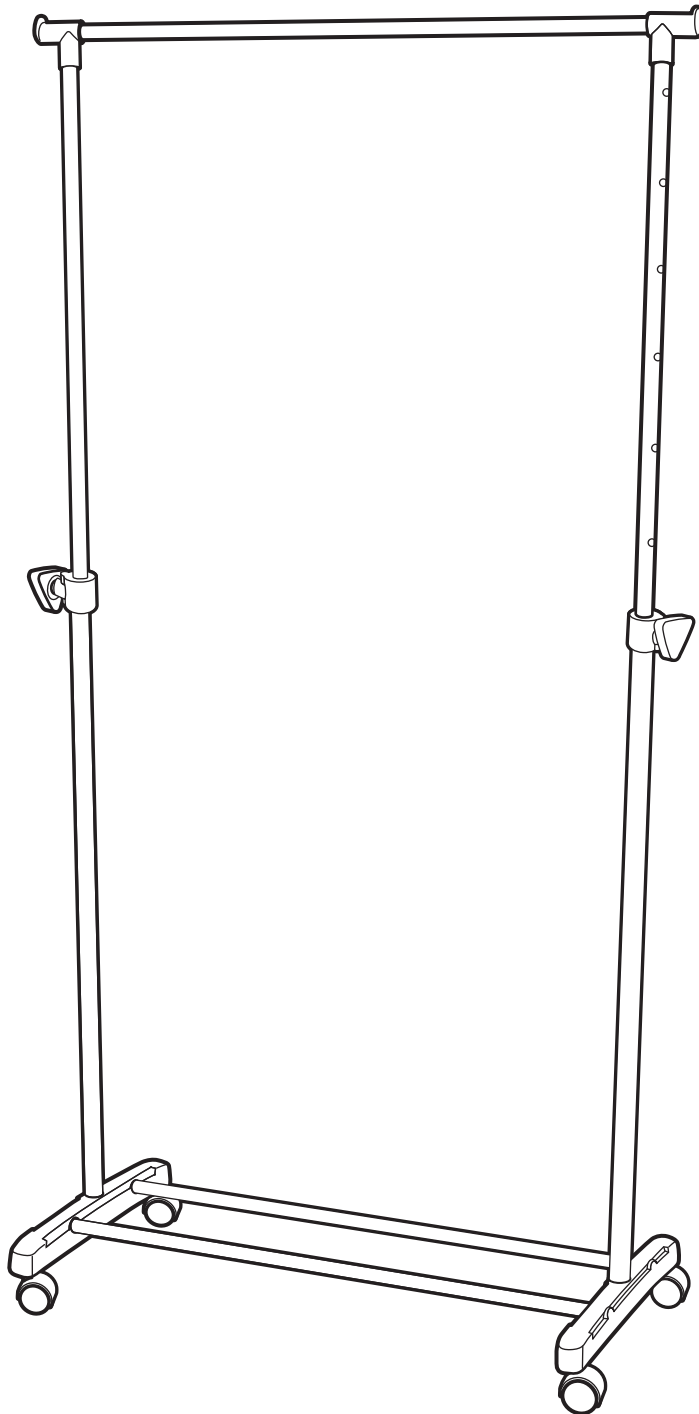


Chrome Tidy Rail

Assembly Instructions - Please keep for future reference

875/7049



Dimensions

Width - 84.5cm

Depth - 42.5cm

Height - 99.5/167cm

Important - Please read these instructions fully before starting assembly

If you need help or have damaged or missing parts, call the **Customer Helpline: 08456 400800**



Safety and Care Advice

Important - Please read these instructions fully before starting assembly

- Check you have all the components and tools listed on page 2.

- Remove all fittings from the plastic bags and separate them into their groups.

- Keep children and animals away from the work area, small parts are a choking hazard.

- Make sure you have enough space to layout the parts before starting.

- Assemble on a pad to avoid damaging the unit or your floor.

- Parts of the assembly will be easier with 2 people.

- If using power tools, please follow the safety instructions supplied with the tools.

- Assemble the unit as close to its final position (in the same room) as possible.



- We do not recommend the use of power drill/drivers **for inserting screws**,

as this could damage the unit. Only use hand screwdrivers.

- Dispose of all packaging carefully and responsibly.

Care and maintenance

- Only clean using a damp cloth and mild detergent, do not use bleach or abrasive cleaners.

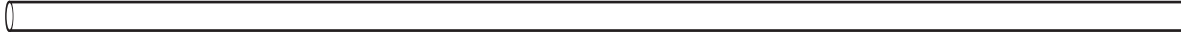
- From time to time check that there are no loose screws on this unit.

- This product should not be discarded with household waste. Take to your local authority waste disposal centre.

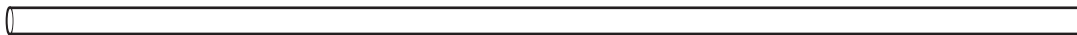
Components - Panels

If you have damaged or missing components, call the **Customer Helpline: 08456 400800**

Please check you have all the panels listed below



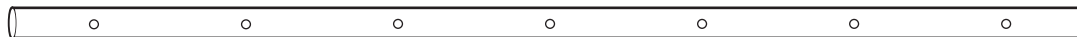
1 Rail x 1 (84cm)



2 Bottom tube x 2 (78cm)



3 Lower side support x 2 (86cm)



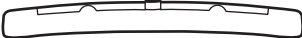



4 Upper side support x 2 (78cm)

Components – Fittings

Please check you have all the fittings listed below

Note: The quantities below are the correct amount to complete the assembly. In some cases more fittings may be supplied than are required.

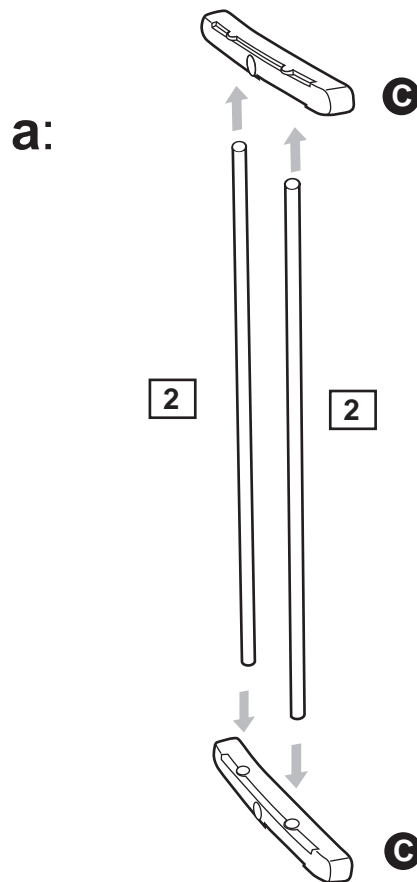
<p>A</p>  <p>Connector x 2</p>	<p>B</p>  <p>Lock x 2</p>	<p>C</p>  <p>Leg section x 2 (42cm)</p>
<p>D</p>  <p>Castor x 4</p>		

Assembly Instructions

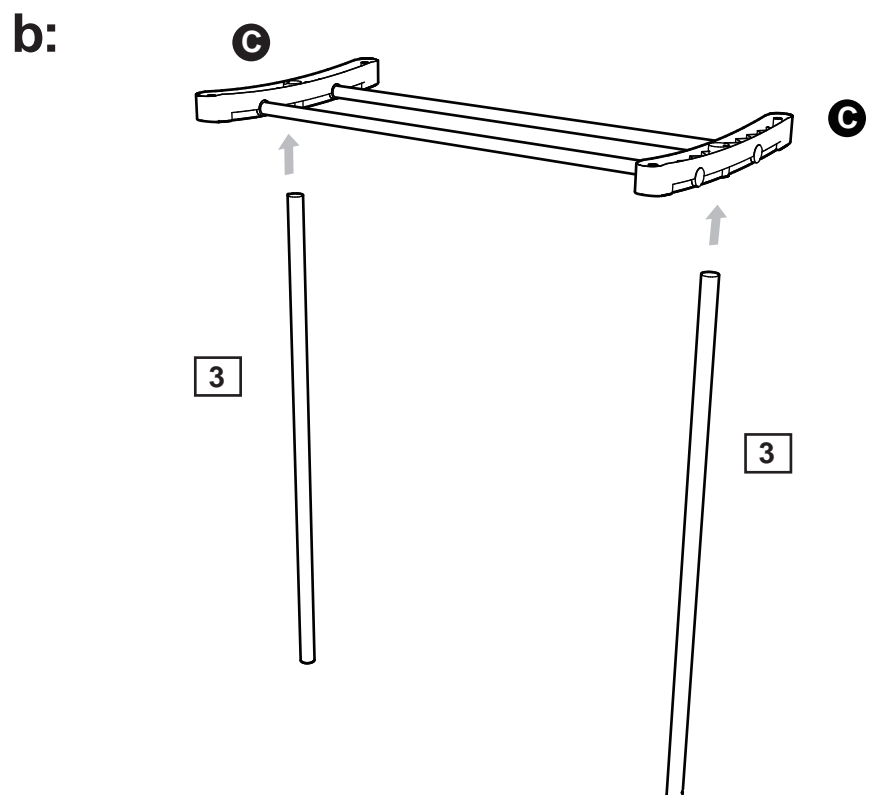
Step 1

Note: It would be useful to ask someone to help you at this stage.

a: Insert Bottom tubes **2** into Leg section **C**.



b: Insert Lower side supports **3** into Leg section **C**.

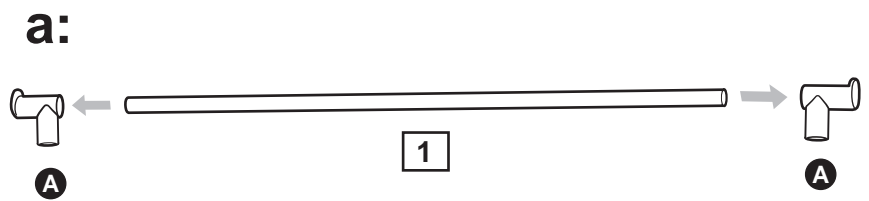


Assembly Instructions

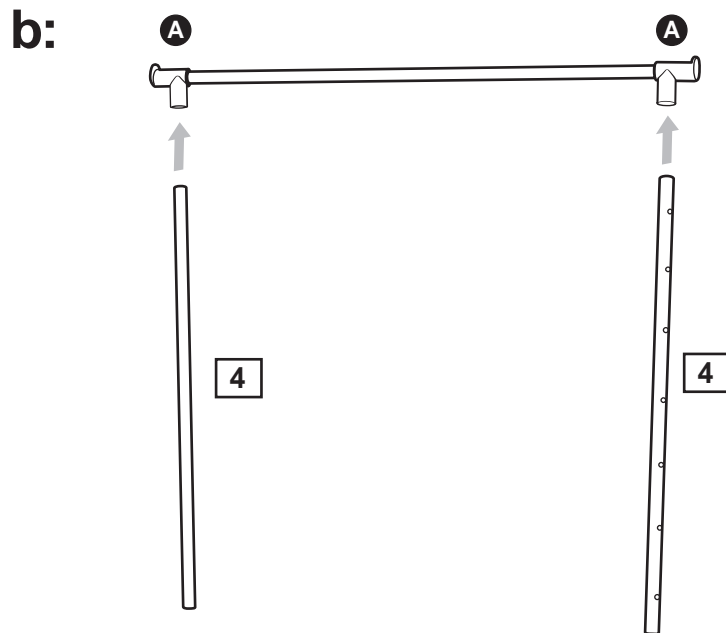
Step 2

Note: It would be useful to ask someone to help you at this stage.

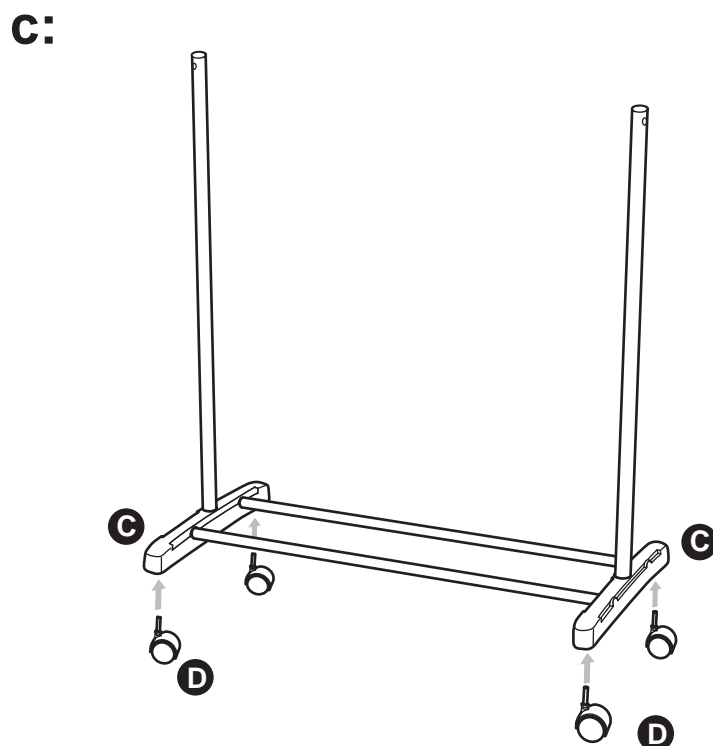
a: Insert Rail **1** into Connectors **A**.



b: Insert Upper side support **4** into Connectors **A**.



c: Insert Castors **D** into Leg section **C**.



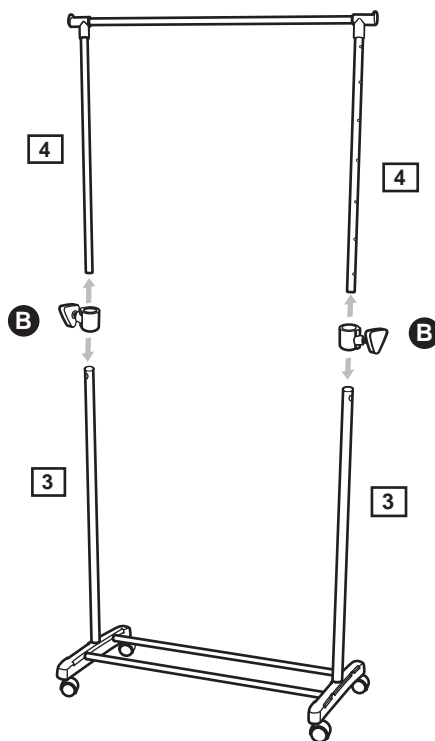
Assembly Instructions

Step 3

Note: It would be useful to ask someone to help you at this stage.

a: Insert Locks **B** into the top of Lower side support **3**.
Insert Upper side support **4** into the Locks **B**.
Don't tighten the Locks **B** until the next step of height setting.

a:



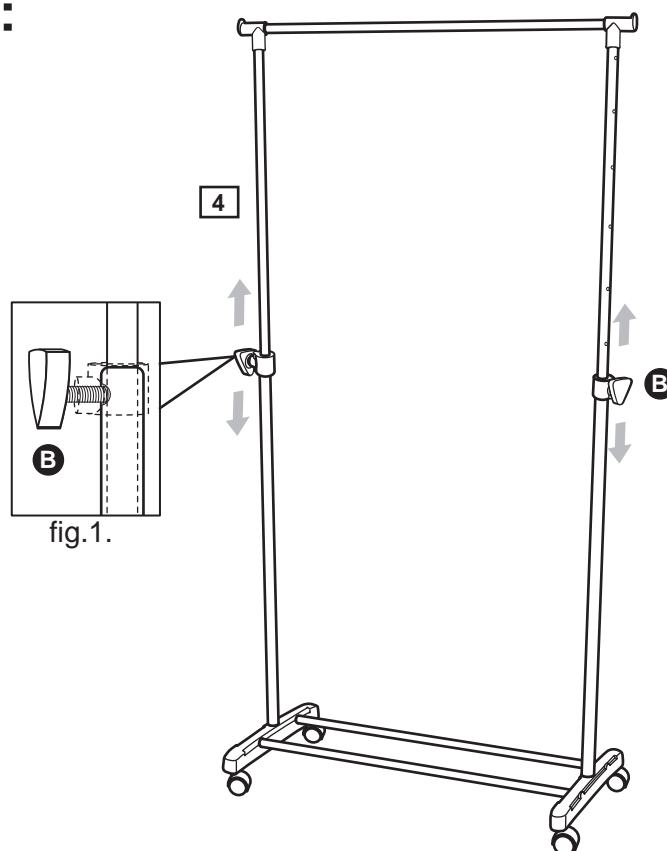
b: Set the height of the unit.

Ensuring the Locks **B** are loosened, slide the Upper side support **4** to the desired height and tighten the Locks **B** to affix in position as shown in fig.1.

Adjustment Range:
99.5-167cm.

Note: Please hold Upper side support **4** and pull downward. It will be fixed if locked or will glide downward if unlocked.

b:



Assembly is complete.

If you need help or have damaged or missing parts, call the **Customer Helpline: 08456 400800**