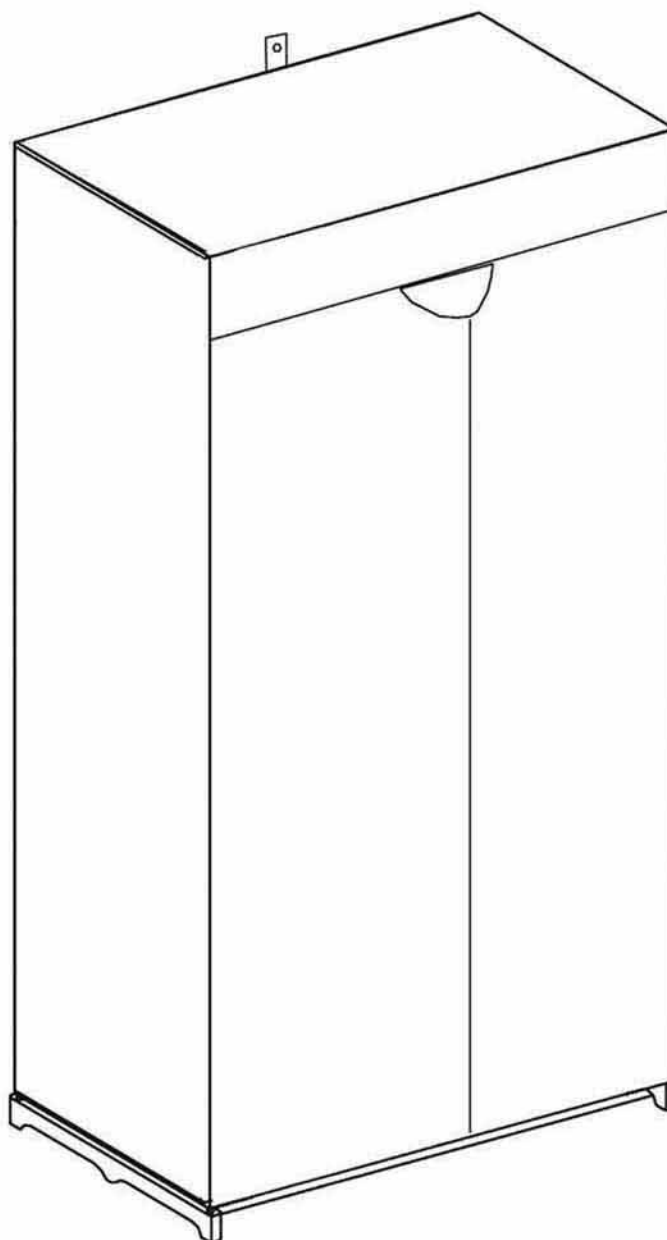


# Single Covered Wardrobe

Assembly Instructions - Please keep for future reference

875/5584

875/5601



## Dimensions

Width - 90cm

Depth - 50cm

Height - 160cm

**Important - Please read these instructions fully before starting assembly**

If you need help or have damaged or missing parts, call the **Customer helpline: 08456 400800**



# Safety and Care Advice

**Important - Please read these instructions fully before starting assembly**

- Check you have all the components and tools listed on page 2.
  - Remove all fittings from the plastic bags and separate them into their groups.
  - Keep children and animals away from the work area, small parts could choke if swallowed.
  - Make sure you have enough space to layout the parts before starting.
  - Do not stand or put weight on the parts this could cause damage.
  - Assemble the unit as close to its final position (in the same room) as possible.
  - Assemble on a soft level surface to avoid damaging the unit or your floor.
  - Parts of the assembly will be easier with 2 people.
  - If using power tools, please follow the safety instructions supplied with the tools.
  - We do not recommend the use of power drill/ drivers **for inserting screws**, when assembling the wardrobe as this could damage the unit.
- Only use hand screwdrivers.
- **Warning:** Before drilling, check the wall for hidden pipes and cables.
  - Dispose of all packaging carefully and responsibly.
  - **Warning:** Max loading weight for whole product 8 KGS.



• We do not recommend the use of power drill/ drivers **for inserting screws**, when assembling the wardrobe as this could damage the unit.

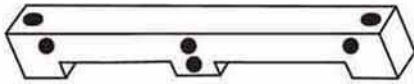
## Care and maintenance

- Only clean using a damp cloth and mild detergent, do not use bleach or abrasive cleaners.
- From time to time check that there are no loose screws on this unit.
- This product should not be discarded with household waste. Take to your local authority waste disposal centre.

# Components - Parts

If you have damaged or missing parts, call the **Customer helpline: 08456 400800**

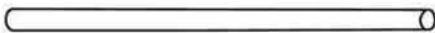
Please check you have all the panels listed below



1 Corner x 4



2 Thin rods x 4 (89.5cm)



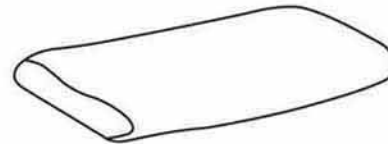
3 Hanging rod x 1 (89.5cm)



4 Male rod x 4 (79.5cm)



5 Notched rod x 4 (79.5cm)





6 Cover x 1

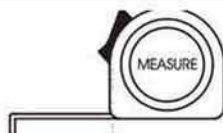
# Components - Fittings

Please check you have all the fittings listed below

**Note:** The quantities below are the correct amount to complete the assembly. In some cases more fittings may be supplied than are required.

<p><b>A</b> </p> <p>Screw x 1</p>	<p><b>B</b> </p> <p>Wall plug (for solid walls only) x 1</p>	
--	---	--

## Tools required



Measure



Screw driver

# Assembly Instructions

## Step 1

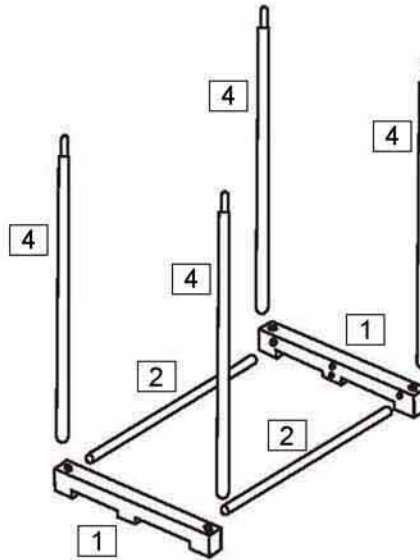
Assemble the top Panel and bottom panel.

**Note:** It would be useful to ask someone to help you at this stage.

### a: Bottom Panel

Attach thin rods **2** and male rods **4** to the corner **1** as shown.

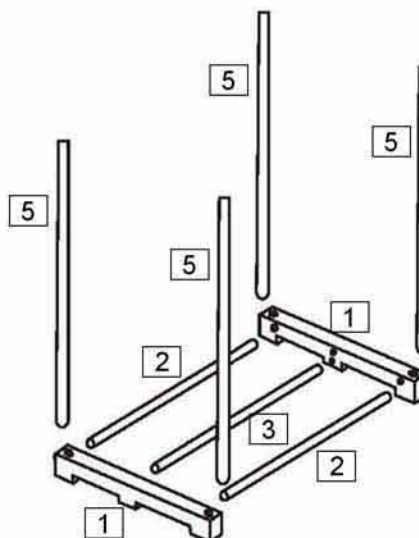
**a:**



### b: Top Panel

Attach hanging rod **3**, notched rods **5** and thin rods **2** to the corner as shown.

**b:**



# Assembly Instructions

## Step 2

### Fitting the Cover

**Note:** It would be useful to ask someone to help you at this stage.

**a:** Fitting the cover **6** into the Bottom Panel.

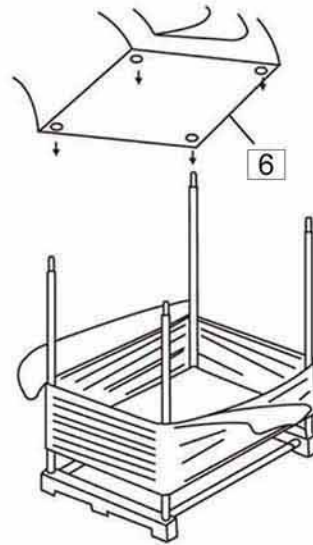
**Note.** Please do not pull the cover to the end.

**b:** Position the top assembly onto the bottom assembly.

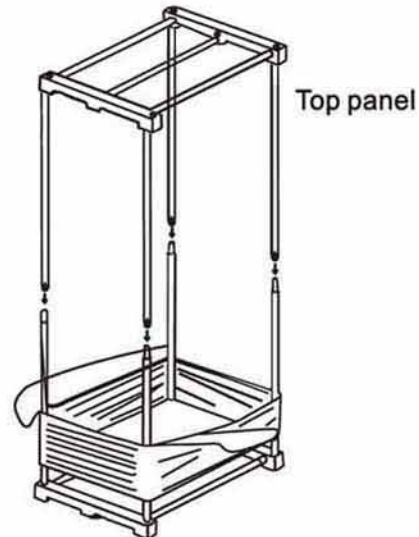
**c:** Lift the cover over the top of the completed frame fitting corners. Evenly slide the cover down to the base.

**Note:** It is recommended that two people fit the cover over the frame.

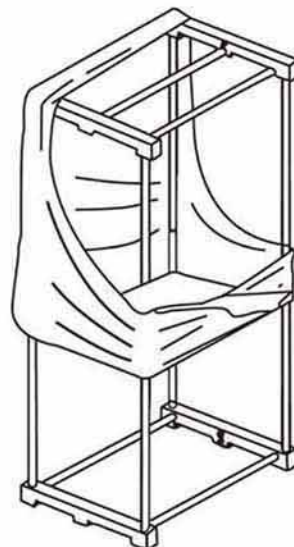
**a:**



**b:**



**c:**



# Assembly Instructions

## Step 3

### Fixing to wall

It is recommended that the wardrobe is fixed to a wall.

#### **Note:**

The correct type of fixing must be used for your wall, seek professional advice if in doubt.

Mark the fixing hole on the wall and remove the wardrobe. Drill a hole and insert a wall plug **B**.

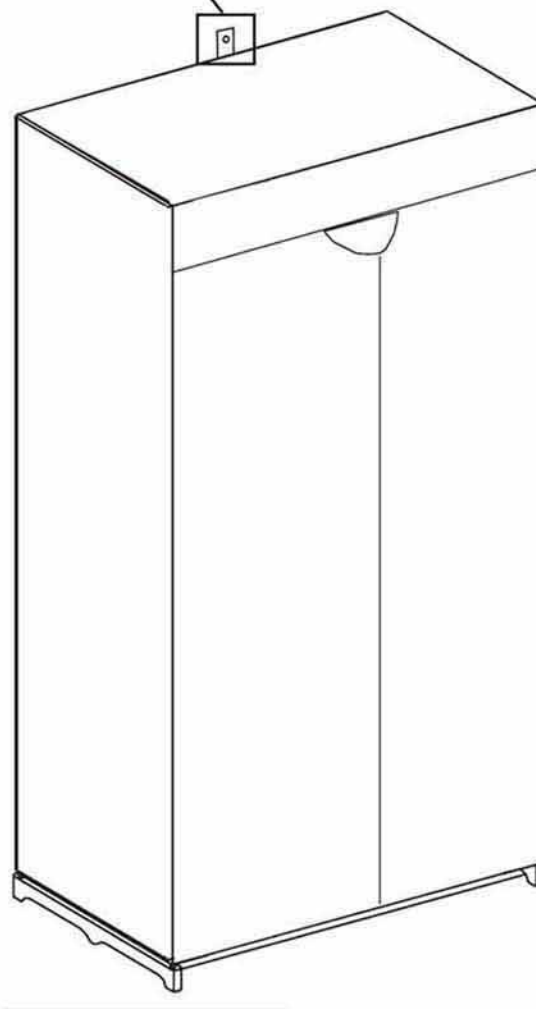
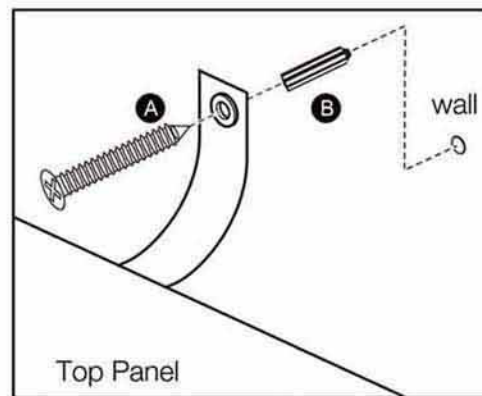


#### **Warning:**

Before drilling, check the wall for hidden pipes and cables.

Reposition the wardrobe and fix the wall strap using screw **A**.

**The assembly is now complete.**



If you need help or have damaged or missing parts, call the **Customer Helpline: 08456 400800**