

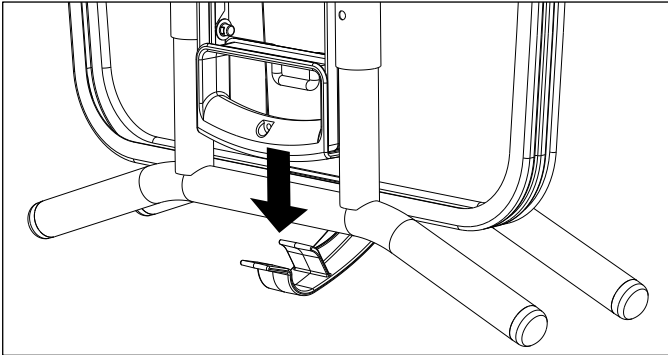
IMPORTANT - READ INSTRUCTIONS CAREFULLY AND KEEP FOR FUTURE REFERENCE

Instructions for the assembly and use of the Large Folding Ironing Board

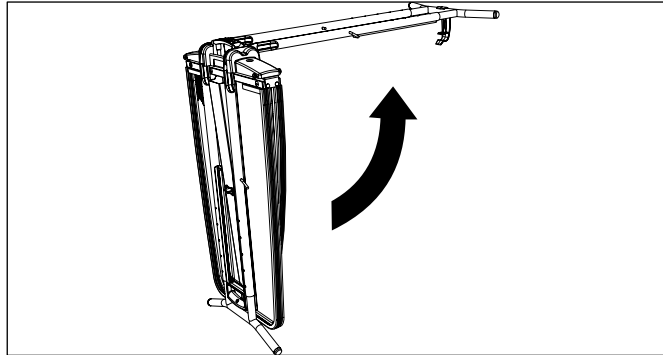
NO TOOLS REQUIRED

To Open Your Board

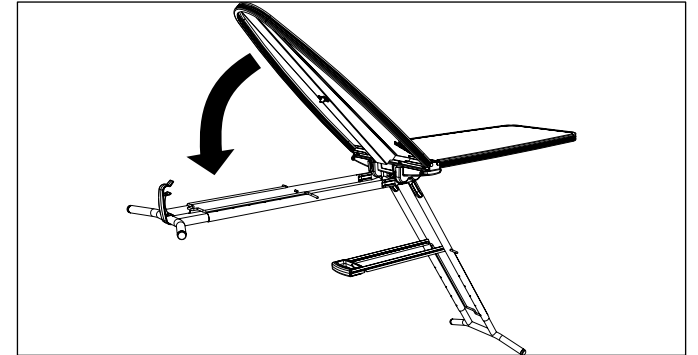
1. Unclip the moulded leg clip from one foot, leaving it attached to the other foot for later use.



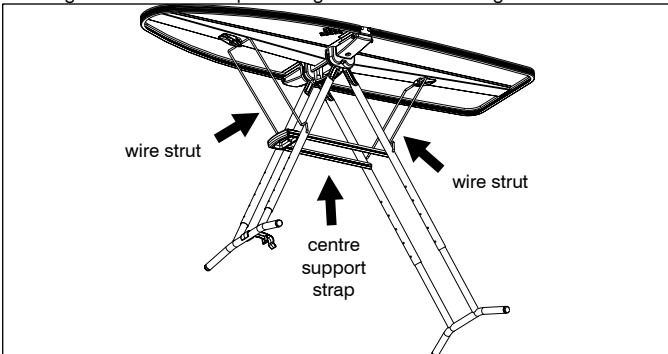
2. Resting one of the leg assemblies on the floor, swing the other leg assembly over the table as shown.



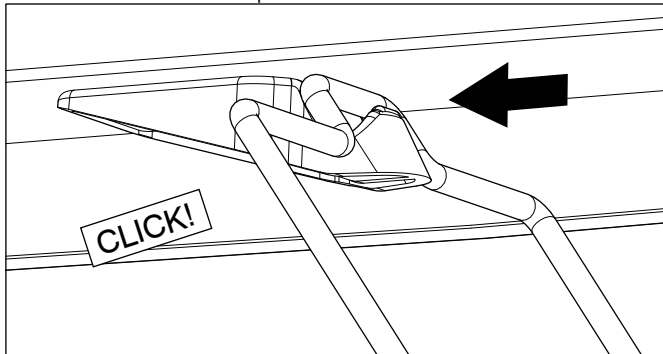
3. Continue to rotate the leg assembly so that the ironing board top begins to open.



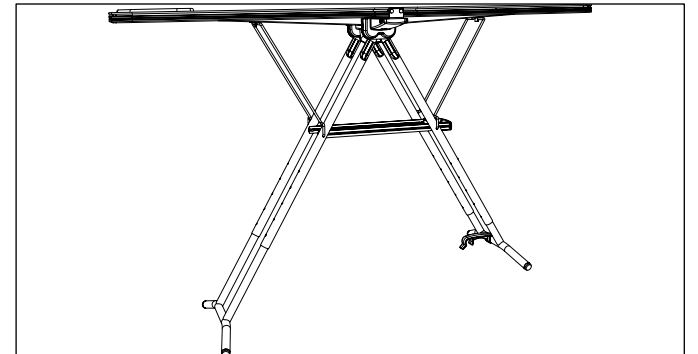
4. Secure the centre support strap by swinging it to the horizontal position and locating the notch over the protruding wires on the front leg.



5. Rotate the wire struts to the position illustrated and gently push the ends of the wires into the moulded clips on the underside of the board.



6. Your ironing board is ready for use.



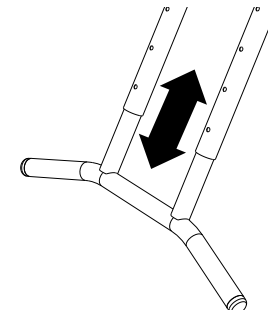
Height Adjustment

1. Your ironing board is adjustable for height with the use of the four spring buttons within the telescopic legs.

2. We recommend that you adjust the legs when the board is in the folded position. It is not necessary to adjust the ironing height to open and close the ironing board. Once the ideal height is set you can fold your board as below and when you open it again the previous height setting will be maintained.

3. To adjust the height depress one of the spring buttons on either the front or rear leg assembly and apply gently pressure as if to extend the telescopic mechanism. Maintain that pressure while you depress the spring button on the other side of the same leg assembly. The leg will slide to the next height setting and self lock. Repeat the above until you have the leg to the desired length.

4. Repeat for the other leg mechanism – ensuring that both front and rear legs are adjusted to the same length.

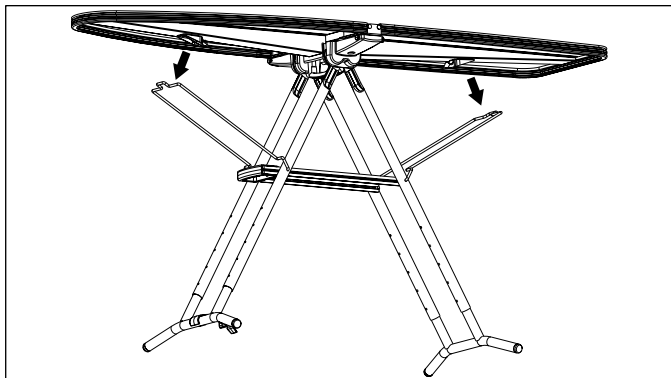


IMPORTANT - READ INSTRUCTIONS CAREFULLY AND KEEP FOR FUTURE REFERENCE

To Close Your Board

NO TOOLS REQUIRED

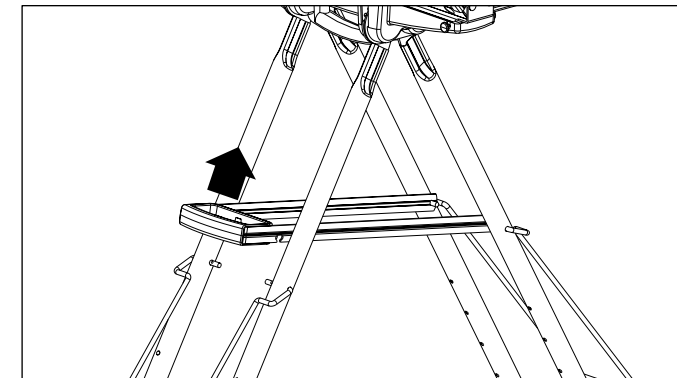
7. Release each of the wire struts from their locked position



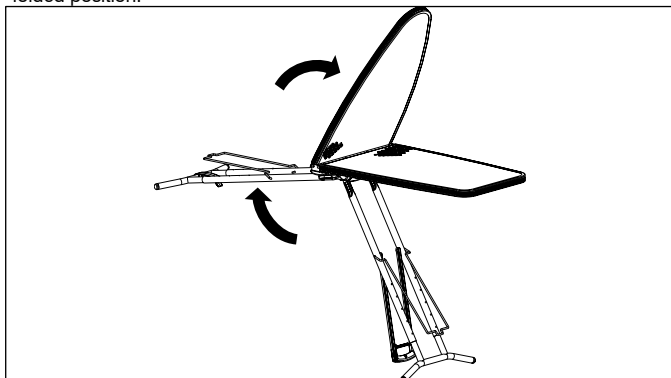
8. Take hold of the front end of the ironing board and rotate it upwards.



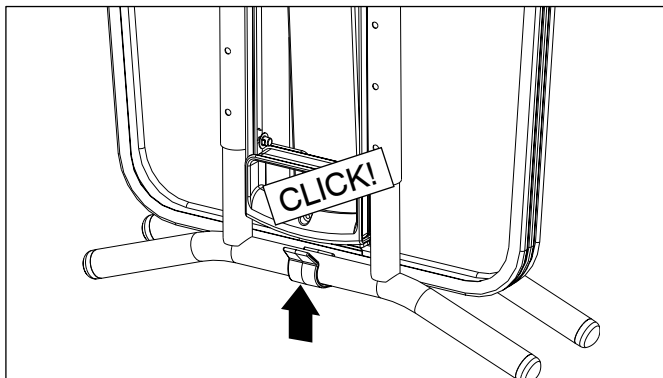
9. Lift the centre support strap to release the front leg.



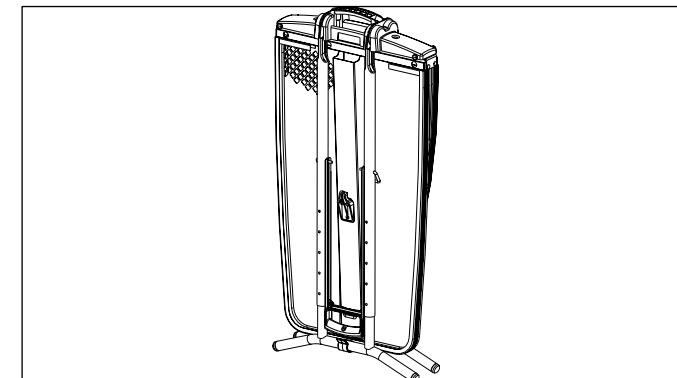
10. Continue to rotate the top and the front leg until the table returns to its folded position.



11. Secure the legs with the moulded leg clip.



12. Your ironing board is ready for storing.



Spares Helpline: www.Clickspares.co.uk or Telephone: 44 - 08456 400800