

RONDA CONVERSATIONAL SET

Assembly Instructions - Please keep for future reference

7592573



Dimensions

Width - 51cm

Depth - 96.5cm

Height - 46.5cm

Important - Read these instructions fully before starting assembly

If you need help or have damaged or missing parts, call the Customer Helpline: 03456400800
For further assistance please visit <http://www.argos-support.co.uk/>



Safety and Care Advice

Important - Read these instructions fully before starting assembly

- This product is manufactured from toughened safety glass. In the unlikely event that the glass fails it will break in to a large number of small fragments that may be spread over a wide area. This is a feature of toughened glass, designed to remove the risk of injury from glass breaking into large shards.
- If the glass is chipped or broken, stop using the product and consult the manufacturer or supplier.
- Check you have all the components and tools listed on page 2.
- Remove all fittings from the plastic bags and separate them into their groups.
- Keep children and animals away from the work area, small parts could choke if swallowed.
- Make sure you have enough space to layout the parts before starting.
- Do not stand or put weight on the panels during assembly, this could cause damage.
- Assembly on a soft level surface to avoid damaging the unit or your floor.
- Parts of the assembly will be easier with 2 people.
- Dispose of all packaging carefully and responsibly.
- Do not sit or stand on this table.
- Do not place very hot or very cold items on the glass.
- Warning: The unit weighs approximately 9.1 kgs. Please lift with care.

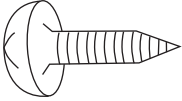
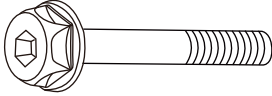


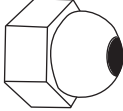
Care and maintenance

- Wash frame parts with mild soap and water, rinse thoroughly, and dry completely. Do not use bleach, acid, or other solvents on the frame parts.
- Wash glass with mild soap and water, rinse thoroughly, and dry completely.
- Do not use washing powders or any abrasive substances which may scratch the surface.
- Inspect and tighten all bolts and fasteners on a regular basis to ensure the proper performance and safety of your table.
- When moving the table, lift. Do not drag this table.
- We recommend the use of furniture covers when not in use.
- In order to prolong the life and beauty of your table, we recommend that it be stored in a dry and protected area when not in use.
- Do not use the glass as chopping surface. Do not strike the glass with hard or pointed items.

Components - Fittings

Please check you have all the fittings listed below

Note: The quantities below are the correct amount to complete the assembly.

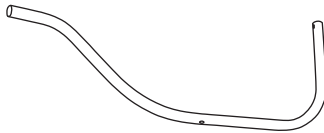
<p>A</p>  <p>ST4.2 x 12 Screw x 4</p>	<p>B</p>  <p>M6 x 55mm Bolt x 4</p>	<p>C</p>  <p>D13 Washer x 4</p>
<p>D</p>  <p>D10 Washer x 4</p>	<p>E</p>  <p>M6 x P1.0 Plastic Nut x 4</p>	

Components - Parts

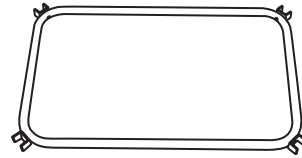
Please check you have all the parts listed below



1 Table Top x 1

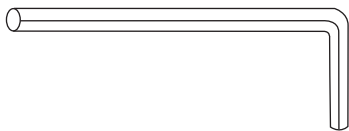


2 Leg x 4



3 Center Connector x 1

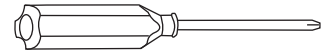
Tools required



4mm Hex Key

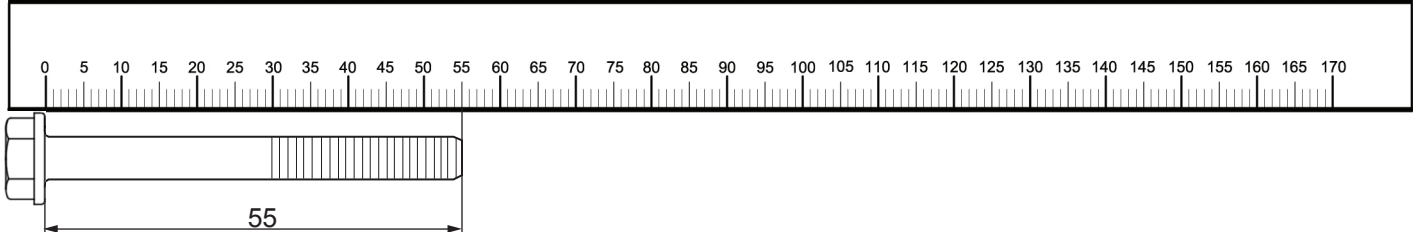


10 & 13mm Nut Wrench



Screwdriver (Not provided)

Ruler - Use this ruler to help correctly identify the screws

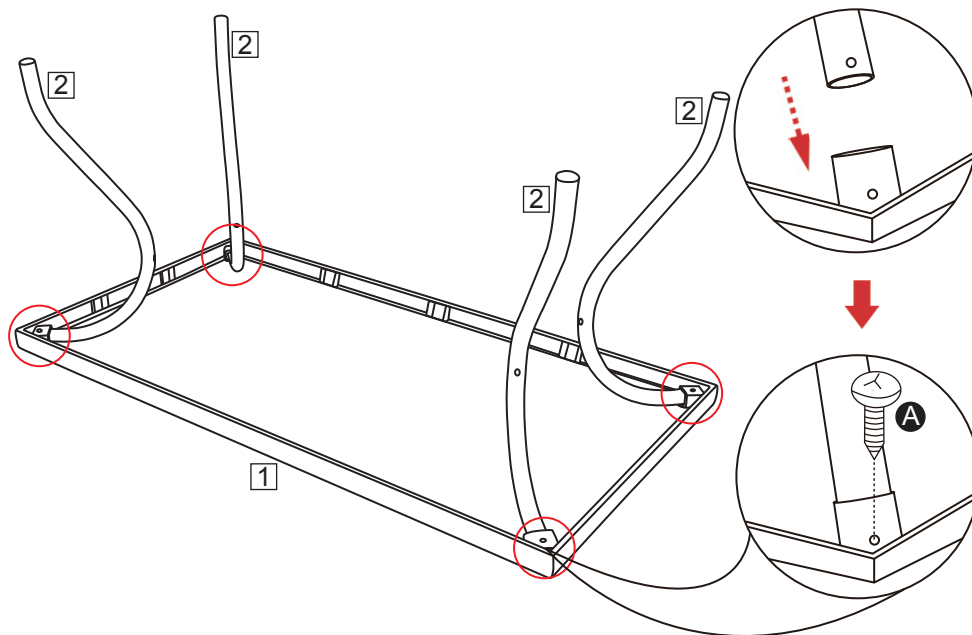


Assembly Instructions

Step 1

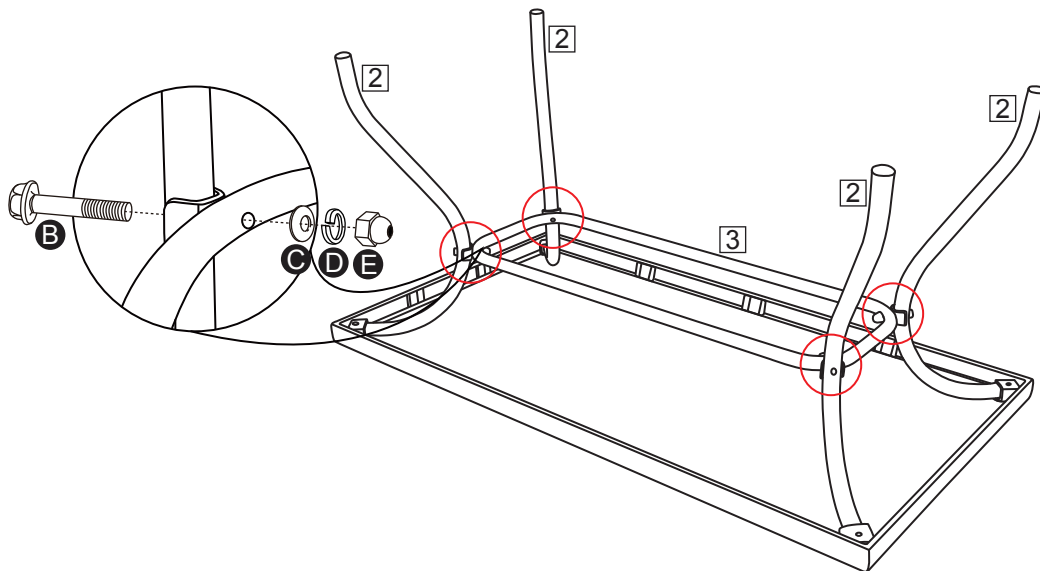
Place the table top **1** onto a non-abrasive surface, such as a carpet, with its underside facing upwards. Insert the legs **2** into the plastic holders attached on the underside of the table top **1** rim. Fix them together by using screws **A**.

During assembly do not lay the glass directly onto hard or rough surfaces. We recommend laying the glass on a blanket or cardboard during assembly. You could even use the box.



Step 2

Fix the center connector **3** to the middle of the legs **2** by using bolts **B**, washers (**C** and **D**) and plastic nuts **E**. Make sure that all of the bolts have been tightened completely.



Assembly Instructions

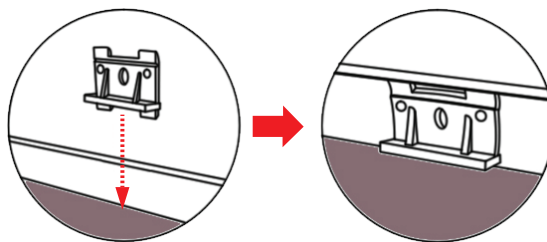
Step 3

Turn the table to its upright position.

When lifting or moving the product, ask for someone to lend a hand, trying to move a product on your own can lead to accidents.

Note:

To use an umbrella with this table, remove the center plug and put the umbrella pole through the table top and center connector ring.



Warning: Don't detach the plastic support from the table frame! It is for glass support!

Assembly is completed.

If you need help or have damaged or missing parts, call the Customer Helpline: 03456400800
For further assistance please visit <http://www.argos-support.co.uk/>

Retailer: Argos

Address: 489-499 Avebury Boulevard Saxon Gate West, Central Milton Keynes Bucks, MK9, 2NW