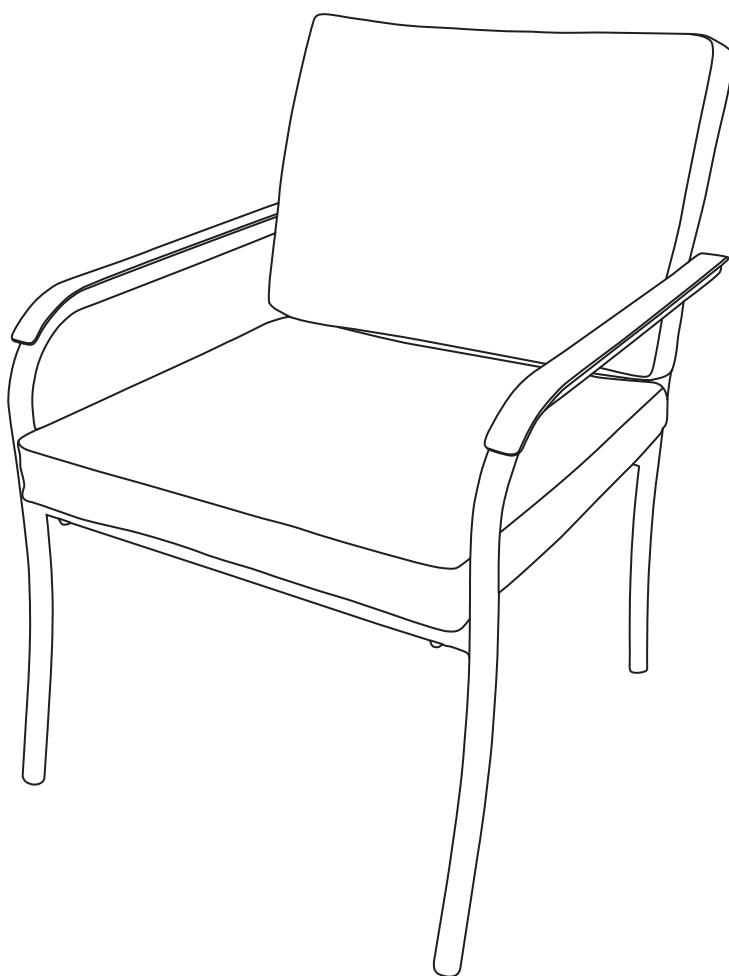


RONDA CONVERSATIONAL SET

Assembly Instructions - Please keep for future reference

7592573



Dimensions

Width -60cm
Depth -71cm
Height -76cm

Important - Read these instructions fully before starting assembly

If you need help or have damaged or missing parts, call the Customer Helpline: 03456400800
For further assistance please visit <http://www.argos-support.co.uk/>



Safety and Care Advice

Important - Please read these instructions fully before starting assembly

- Check you have all the components and tools listed on page 2 & 3.
- Remove all fittings from the plastic bags and separate them into their groups.
- Keep children and animals away from the work area, small parts could choke if swallowed.
- Make sure you have enough space to layout the parts before starting.
- Do not stand or put weight on the components during assembly, this could cause damage.
- Assembly on a soft level surface to avoid damaging the unit or your floor.
- Parts of the assembly will be easier with 2 people.
- Dispose of all packaging carefully and responsibly.
- Do not stand on this lounge.
- Warning: The unit weighs approximately 6.1 kgs. Please lift with care.

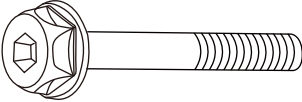
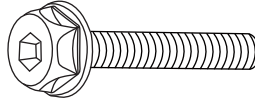
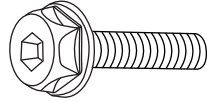

Care and maintenance

- Wash frame parts with mild soap and water, rinse thoroughly, and dry completely. Do not use bleach, acid, or other solvents on the frame parts.
- We recommend the use of furniture covers when not in use.
- Inspect and tighten all bolts and fasteners on a regular basis to ensure the proper performance and safety of your ottoman.
- In order to prolong the life and beauty of your ottoman, we recommend that it be stored in a dry and protected area when not in use .

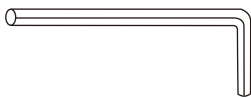
Components - Fittings

Please check you have all the fittings listed below

Note: The quantities below are the correct amount to complete the assembly.

A  M6 x 70mm Bolt x 2	B  M6 x 35mm Bolt x 2	C  M6 x 15mm Bolt x 2
D  D10 Spring Washer x 6		

Tools required

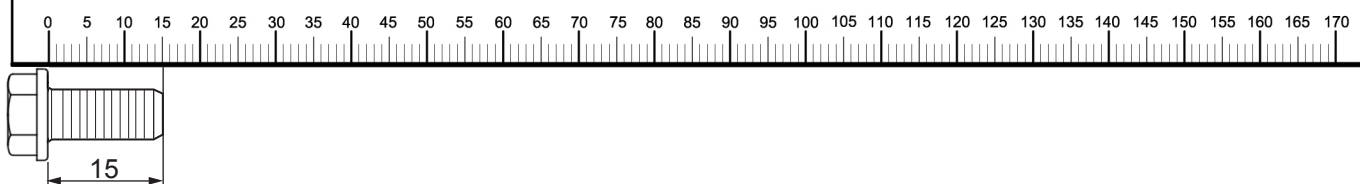


4mm Hex Key



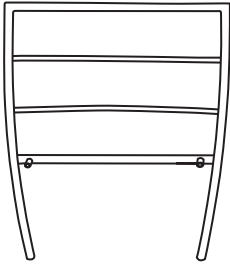
10mm Hex Key

Ruler - Use this ruler to help correctly identify the screws

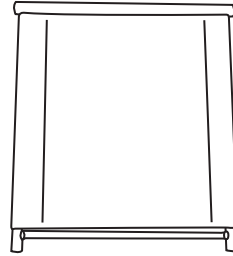


Components - Parts

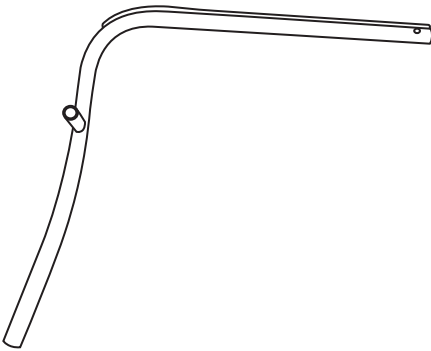
Please check you have all the parts listed below



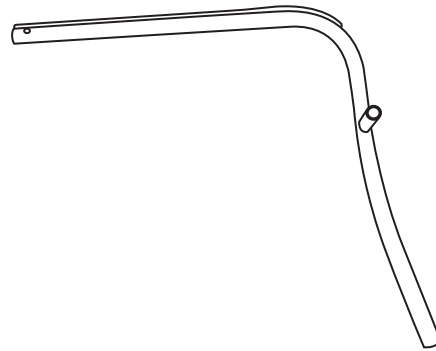
1 Back Assembly x 1



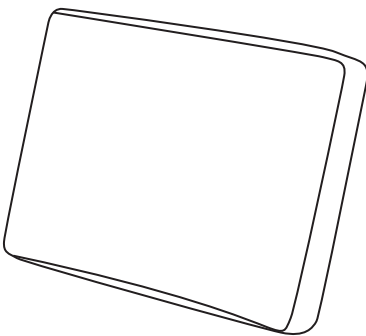
2 Seat Assembly x 1



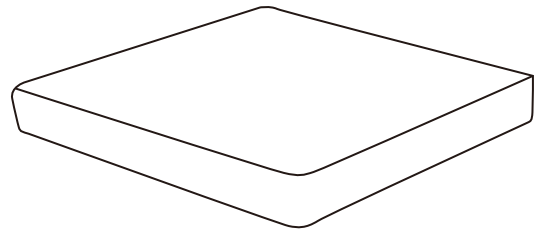
3 Right Arm x 1



4 Left Arm x 1



5 Back Cushion x 1

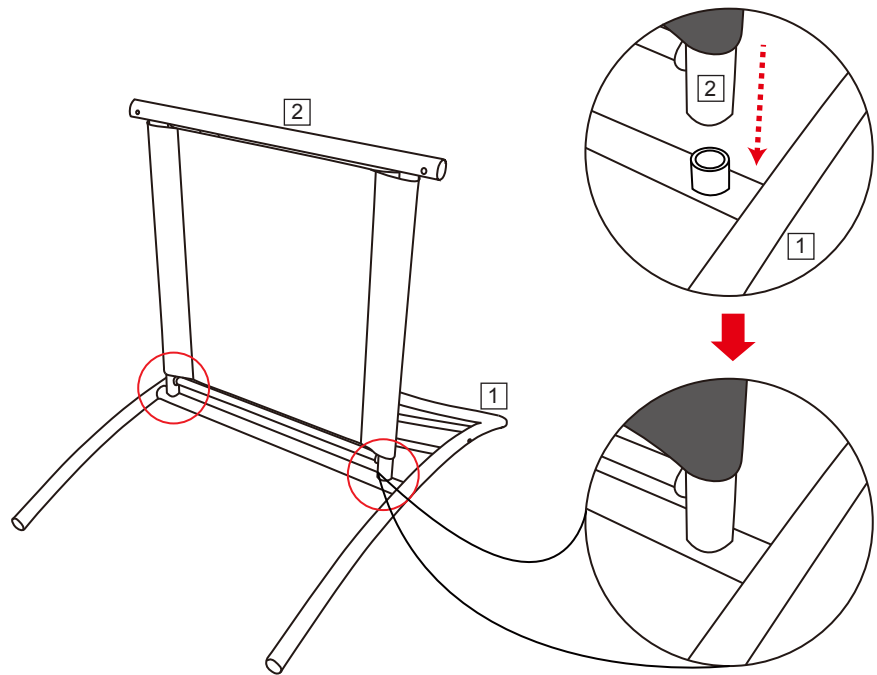


6 Seat Cushion x 1

Assembly Instructions

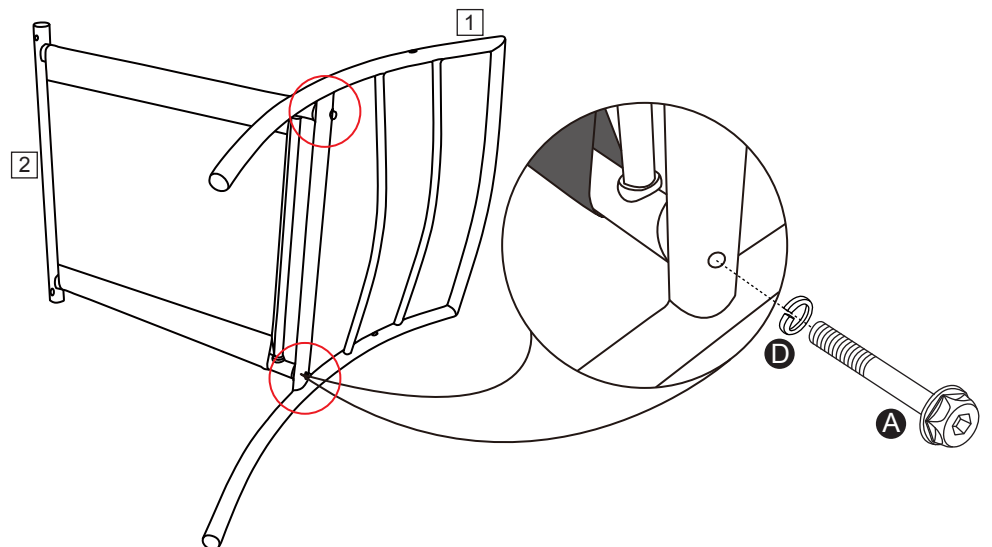
Step 1

Place the back assembly **1** onto a non-abrasive surface, such as a carpet. Insert the seat assembly **2** into the back assembly **1**.



Step 2

At the rear of the seat, fix the seat assembly **2** to the back assembly **1** by using bolts **A**, spring washers **D**. Keep the bolts loose.

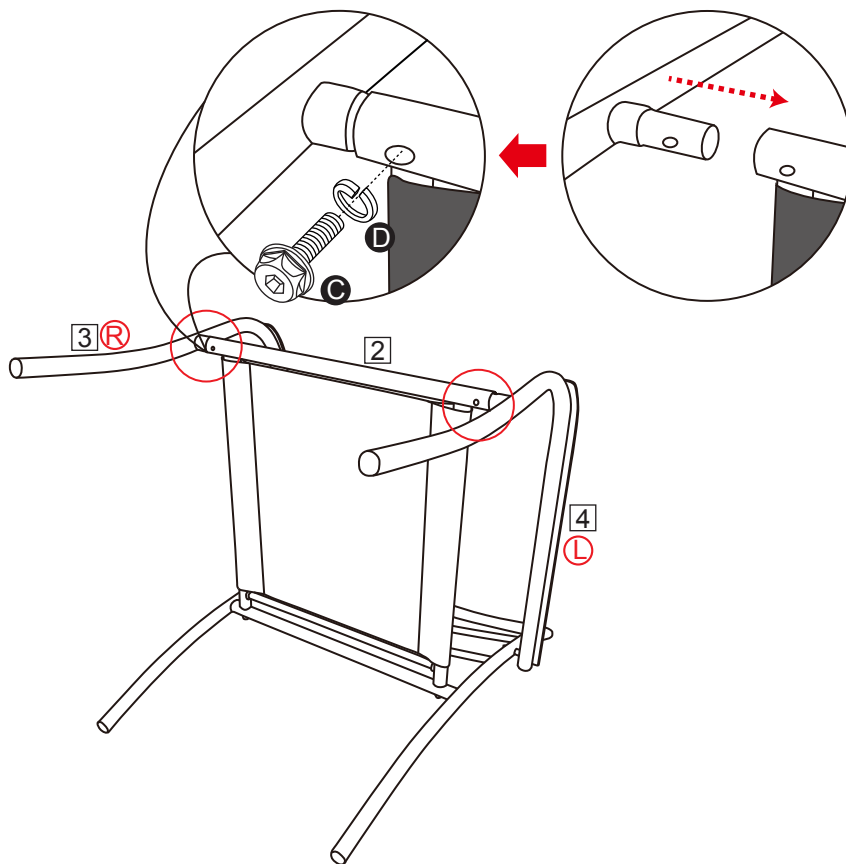


Assembly Instructions

Step 3

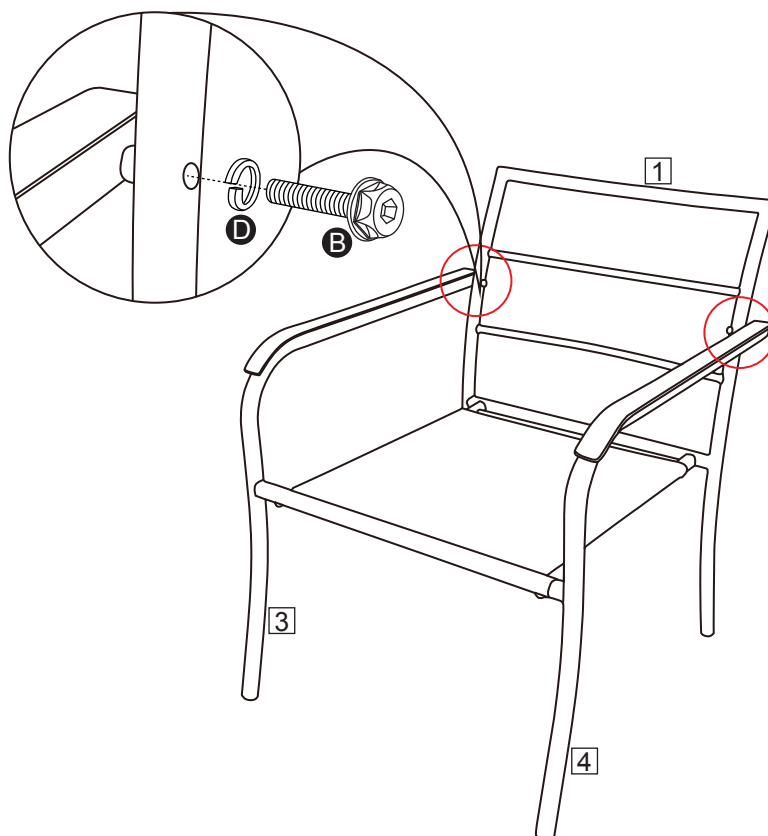
At the front of the seat, fix the arms (3 and 4) to the seat assembly 2 by using bolts C, spring washers D. Keep the bolts loose.

Note:
The labels marked "L" and "R" on arms (3 and 4) should coincide with Step 3 to ensure proper assembly.



Step 4

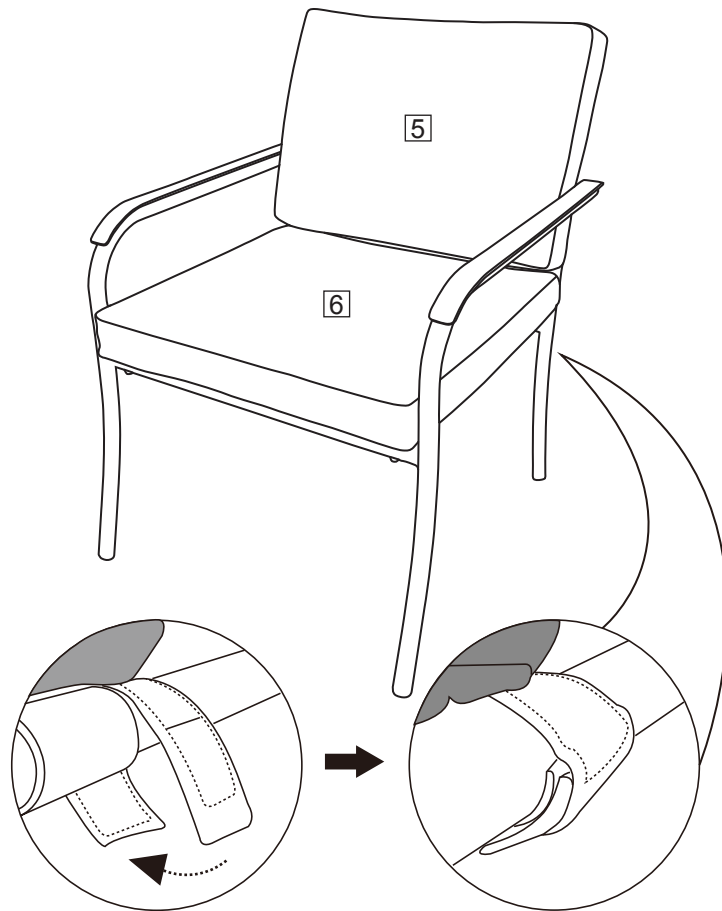
Fix the arms (3 and 4) to the back assembly 1 by using bolts B, spring washers D. Make sure that all of the bolts have been tightened completely.



Assembly Instructions

Step 5

Place the cushions [5] and [6] onto the bench. Secure the cushion to the bench by using the velcro straps.



Assembly is completed.

If you need help or have damaged or missing parts, call the Customer Helpline: 03456400800
For further assistance please visit <http://www.argos-support.co.uk/>

Retailer: Argos

Address: 489-499 Avebury Boulevard Saxon Gate West, Central Milton Keynes Bucks, MK9, 2NW