

# Scroll Cheval Mirror

## Assembly

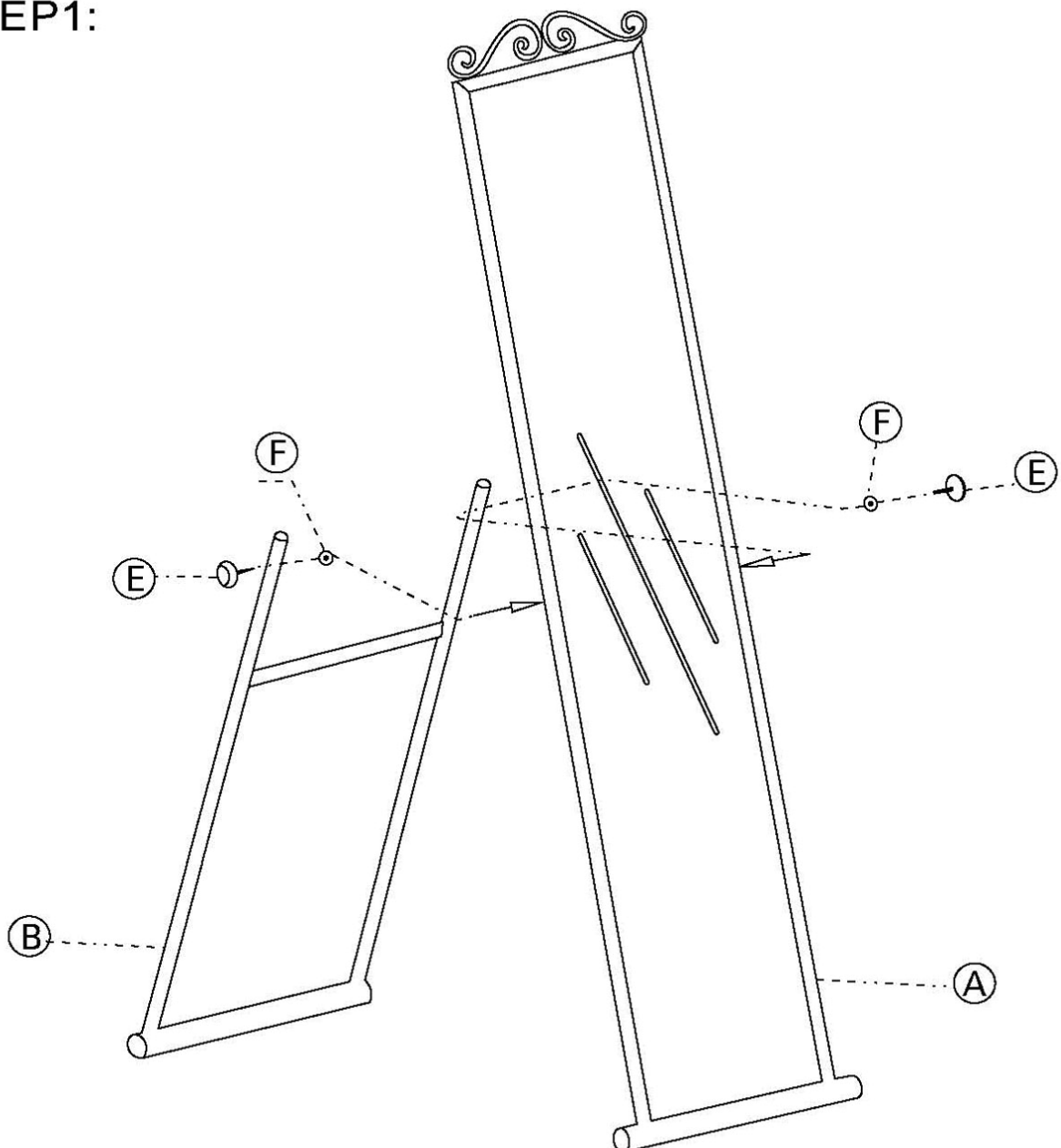
Please familiarise yourself with the details shown in these instructions before starting to assemble the product.

If you follow the instruction carefully the end result should be worth the effort.

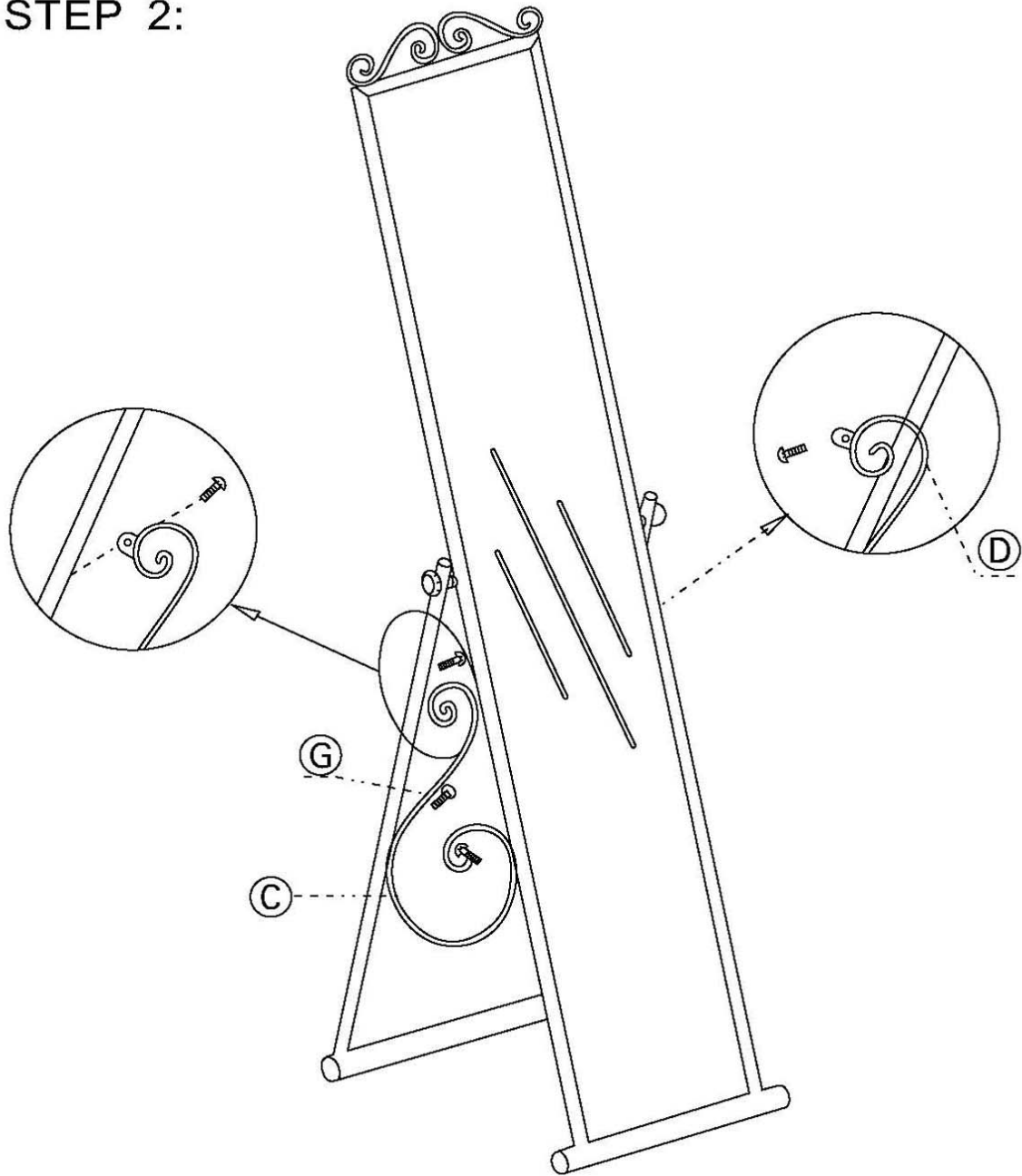
To ensure an easier assembly, we strongly advise that all fittings are only finger tightened during initial assembly. Only upon completion of the assembly should all fixing points be fully tightened.

We recommend a periodic check on all fixing points to make sure they remain fully tightened

## STEP 1:



STEP 2:



Screwdriver is required

A		1PC	C		1PC
			D		1PC
			E		2PCS
B		1PC	F		2PCS
			G		6PCS

## SAFETY WARNING INFORMATION

Keep these instructions for future use:

BS7449 : 1991

Model /Catalogue Number: 624/8512 (D)

Manufacture date: Apr.2012

Retailer: Argos

Retailer address: 489/499 Avebury Boulevard

Saxon Gate West

Central Milton Keynes

Bucks, MK9 2NW

\*Do not place very hot or very cold items against or in close proximity to glass surface unless an adequately thick insulating material is used to prevent such items from coming into contact with the glass.

\*Do not strike the glass with hard or pointed items.

\*Do not sit or stand upon horizontal glass surfaces.

\*When cleaning glass panels or mirrors use a damp or leather with washing up liquid or soft soap if necessary; do not use washing powders or any other substance containing abrasive since these substances scratch glass.

\*It is essential that this unit is fixed to a wall with the correct type of fixings.

This unit contains film backed mirror of nominal thickness of 3 mm, which is not required to be classified to BS6206 Class C.

If a glass is chipped or broken replace with glass of the type described on this label. Consult the manufacturer, retailer, or agent with regard to obtaining a manufacturing specification and shape for replacement glass quoting the model number, and batch number or date of manufacture.