

# New Pagnell Deep 3+2 Chest

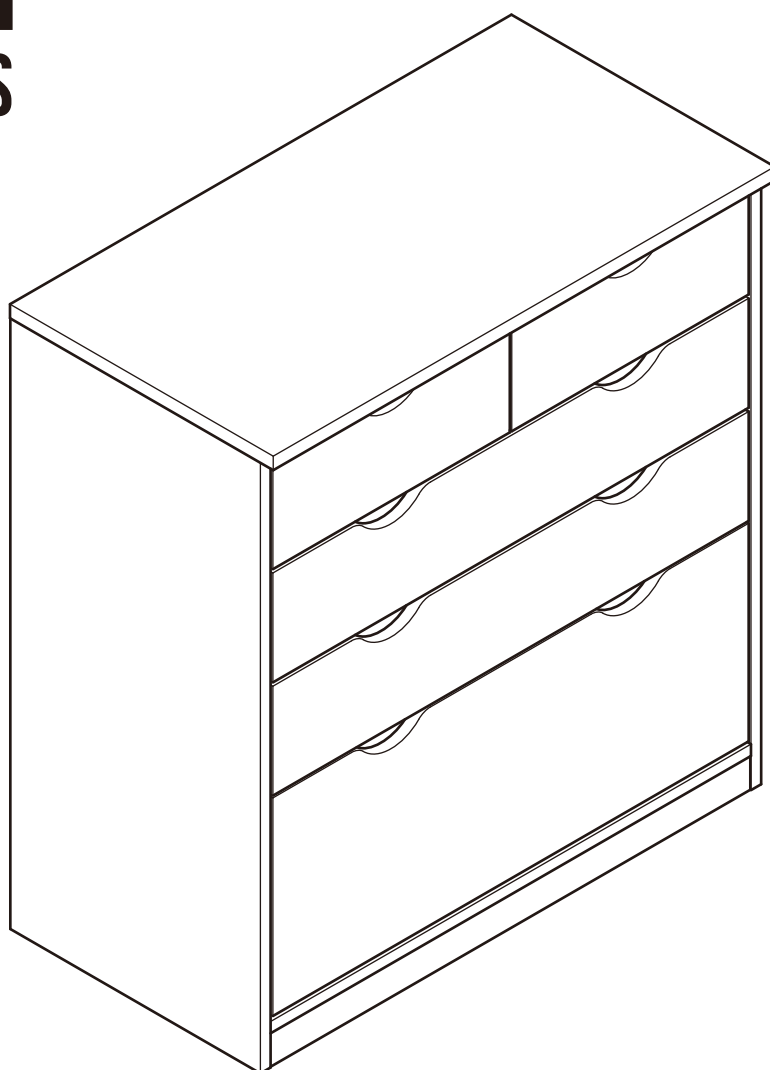
Assembly Instructions - Please keep for future reference

610/8793

620/5861

619/5139

**H O**  
**M E**  
**BY ARGOS**



## Dimensions

Width - 76.5cm

Depth - 40.5cm

Height - 82cm

**Important** - Please read these instructions fully before starting assembly

If you need help or have damaged or missing parts, call the **Customer Helpline:**  
**Argos = 0345 6400800**



# Safety and Care Advice

## Important – Please read these instructions fully before starting assembly

- Check you have all the components and tools listed on the following pages.
- Remove all fittings from the plastic bags and separate them into their groups.
- Keep children and animals away from the work area, small parts could choke if swallowed.
- Make sure you have enough space to layout the parts before starting.
- Do not use this item if any components are missing or damaged.
- During assembly do not stand or put weight on the product, this could cause damage.
- Assemble the item as close to its final position (in the same room) as possible.
- Assemble on a soft level surface to avoid damaging the unit or your floor.
- During assembly children should be kept away from the product due to possible risk of injury.
- Parts of the assembly will be easier with 2 people.



- To reduce the likelihood of damaging your product please ensure that your power drill is set on a low torque setting.

## Care and maintenance

- Only clean using a damp cloth and mild detergent, do not use bleach or abrasive cleaners.
- From time to time check that there are no loose screws on this unit.
- This product should not be discarded with household waste. Take to your local authority waste disposal centre.

## Handy Hints

- Assemble all parts and bolts loosely during assembly, only once the product is complete should you fully tighten the bolts
- Regularly check and ensure that all bolts and fittings are tightend properly.

## IMPORTANT: RETAIN THESE INSTRUCTIONS FOR FUTURE REFERENCE

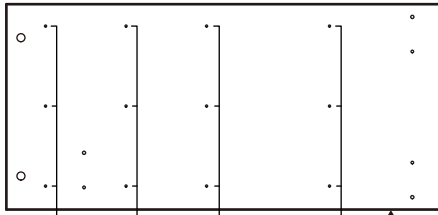
- Argos Ltd. MK9 2 NW.
- This product is intended for children in the age range of 7-12 years.
- Maximum load: 25 kgs.
- Assembly of this product must be carried out by a competent adult.

**Note:** if required the next page can be cut out and used as reference throughout the assembly. Keep this page with these instructions for future reference.

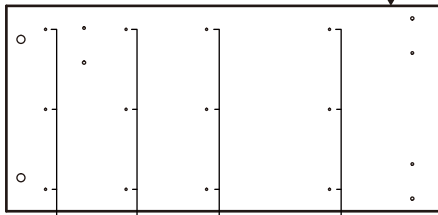
# Components - Panels

If you have damaged or missing components, call the Customer Helpline: Argos = 0345 6400800

Please check you have all the panels listed below



**1** Left side panel (80.4 x 38cm)



**2** Right side panel (80.4 x 38cm)



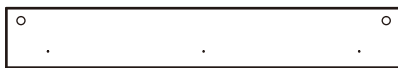
**3** Top support (36.2 x 13.6cm)



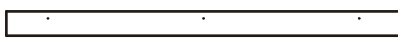
**4** Middle panel (73 x 11cm)



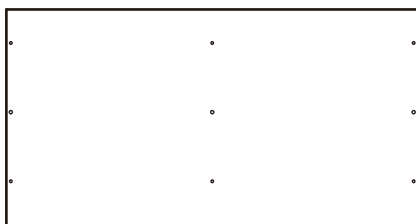
**5** Back bottom panel (73 x 11cm)



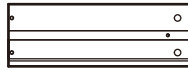
**6** Front bottom panel (73 x 11cm)



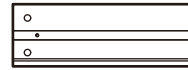
**7** Front panel (73 x 4.5cm)



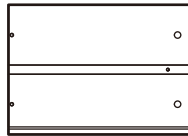
**8** Top panel (76.2 x 40cm)



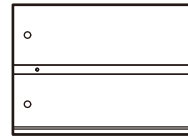
**9** Small drawer left panel x 4 (34 x 11.5cm)



**10** Small drawer right panel x 4 (34 x 11.5cm)



**11** Large drawer left panel (34 x 24cm)



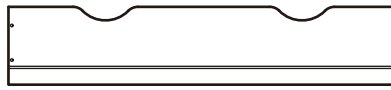
**12** Large drawer right panel (34 x 24cm)



**13** Left drawer front panel (36 x 14.4cm)



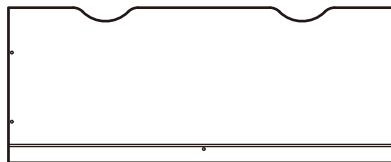
**14** Right drawer front panel (36 x 14.4cm)



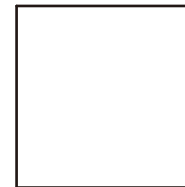
**15** Middle drawer front panel x 2 (72.3 x 14.4cm)



**20** Large drawer support (32.7 x 6cm)



**16** Large drawer front panel (72.3 x 28.7cm)



**21** Small drawer bottom panel x 2 (33.1 x 33.6cm)



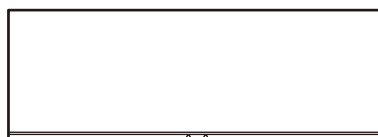
**17** Small drawer back panel x 2 (32.2 x 11.5cm)



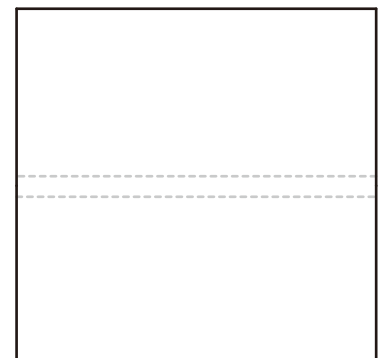
**22** Large drawer bottom panel x 3 (70.7 x 33.6cm)



**18** Middle drawer back panel x 2 (69.8 x 11.5cm)



**19** Large drawer back panel (69.8 x 24cm)






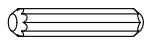
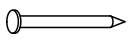











**23** Back panel (77 x 75.8cm)



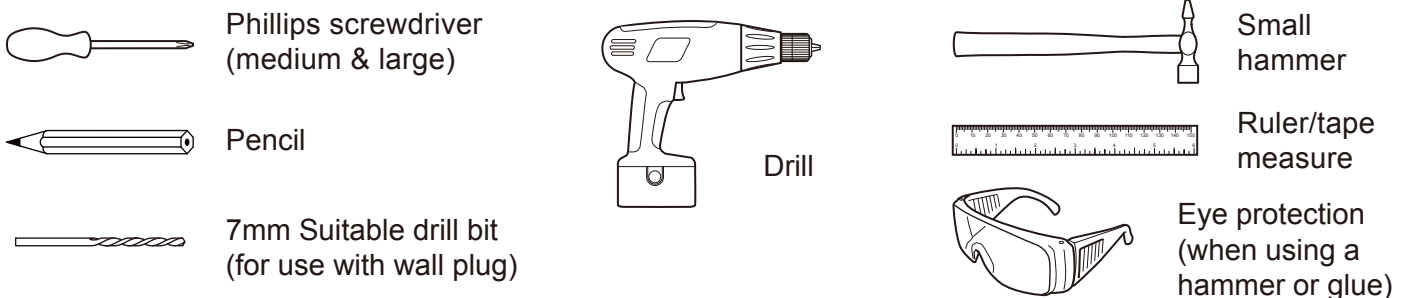
# Components - Fittings

Please check you have all the fittings listed below

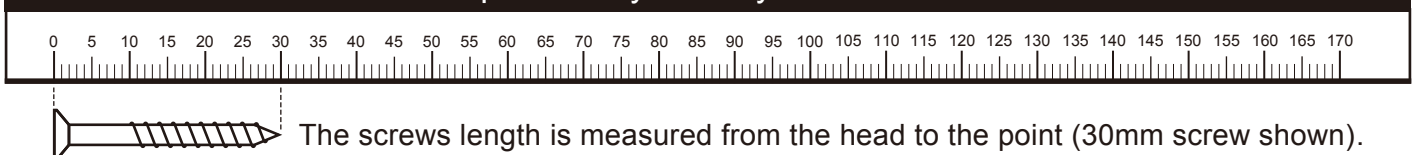
**Note:** The quantities below are the correct amount to complete the assembly. In some cases more fittings may be supplied than are required.

<b>A</b>  50mm Screw x 2	<b>B</b>  30mm Screw x 22	<b>C</b>  39mm Locking pin x 33
<b>D</b>  30mm Dowel x 9	<b>E</b>  Nail x 18	<b>F</b>  15mm Locking nut x 12
<b>G</b>  12mm Locking nut x 21	<b>H</b>  12mm Screw x 10	<b>I</b>  14.5mm Screw x 8
<b>J</b>  Plastic support x 3	<b>K</b>  Runner x 10	<b>L</b>  12mm Screw x 30 (Screws are included in the runners bag)
<b>M</b>  Wall strap x 2 (This screw is included in the wall strap bag)  x 2	<b>N</b>  Wall plug x 2	<b>O</b>  Glue x 1

## Tools required



## Ruler - Use this ruler to help correctly identify the screws



# Assembly Instructions

## Step 1

### Attaching runners

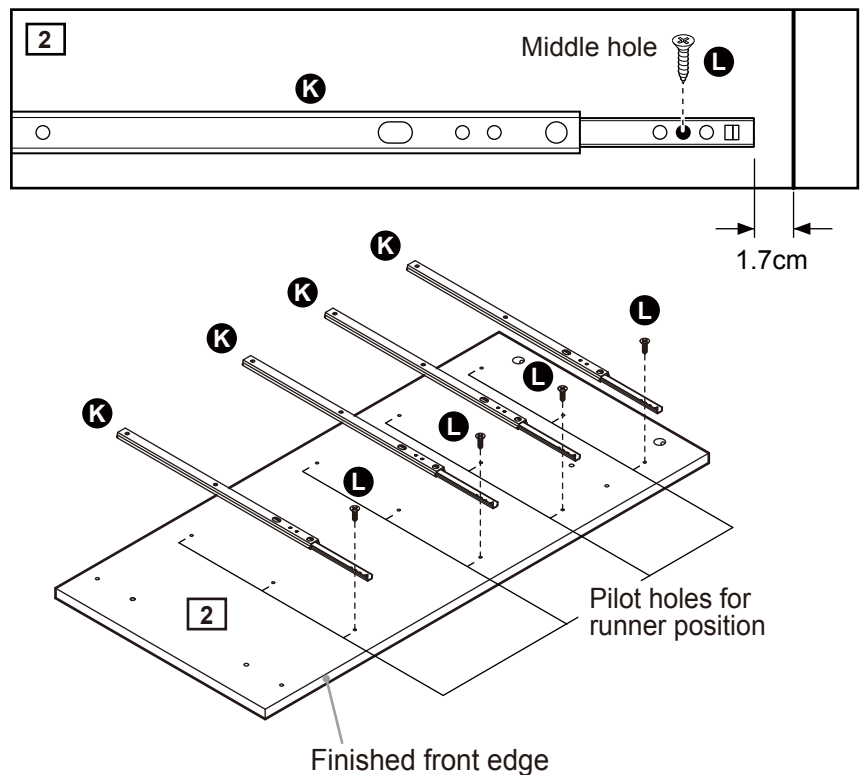
**a:** Position Runners **K** in front edge of the Right side panel **2**.

Slide top of the Runners **K** back.

Use screws **L** to fix the Runners **K** on the Right side panel **2**.

**Note:** The front part of the runner should be approximately 1.7cm from the front edge of the panel.

**a:**



**b:** Slide top of Runners **K** forward and fix as shown using Screws **L**.

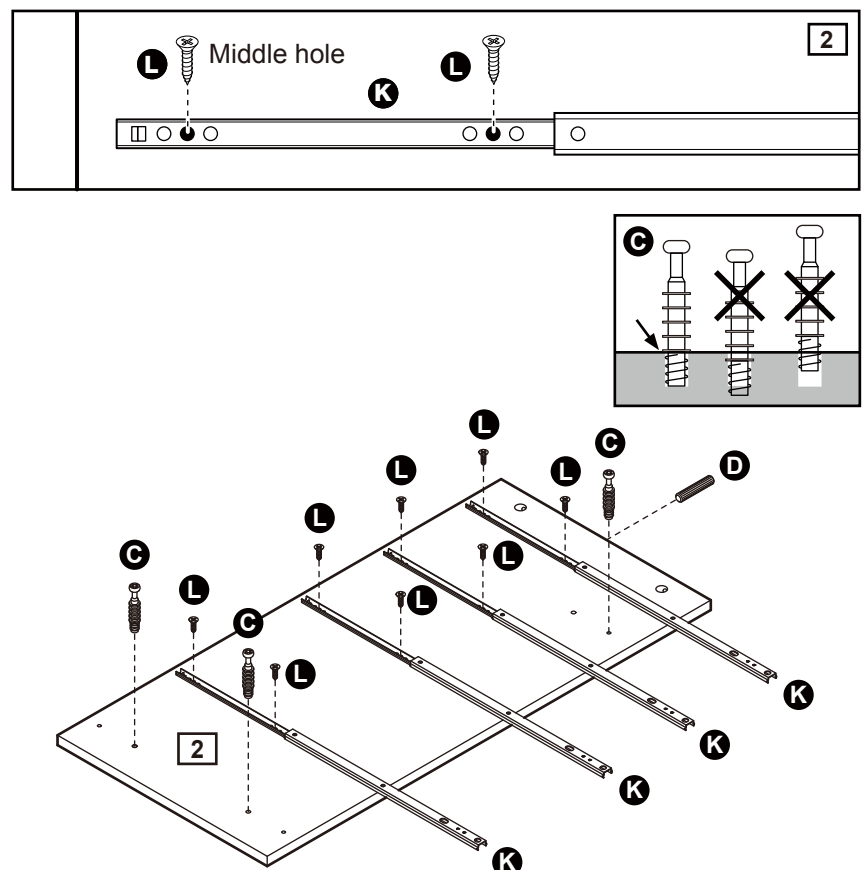
Insert Dowel **D** into the Right side panel **2**.

Screw Locking pins **C** into the Right side panel **2**.

**Note:** Insert Locking pins as far as shown.

**Do not over tighten.**

**b:**



Continued on next page.

# Assembly Instructions

## Step 1 - continued

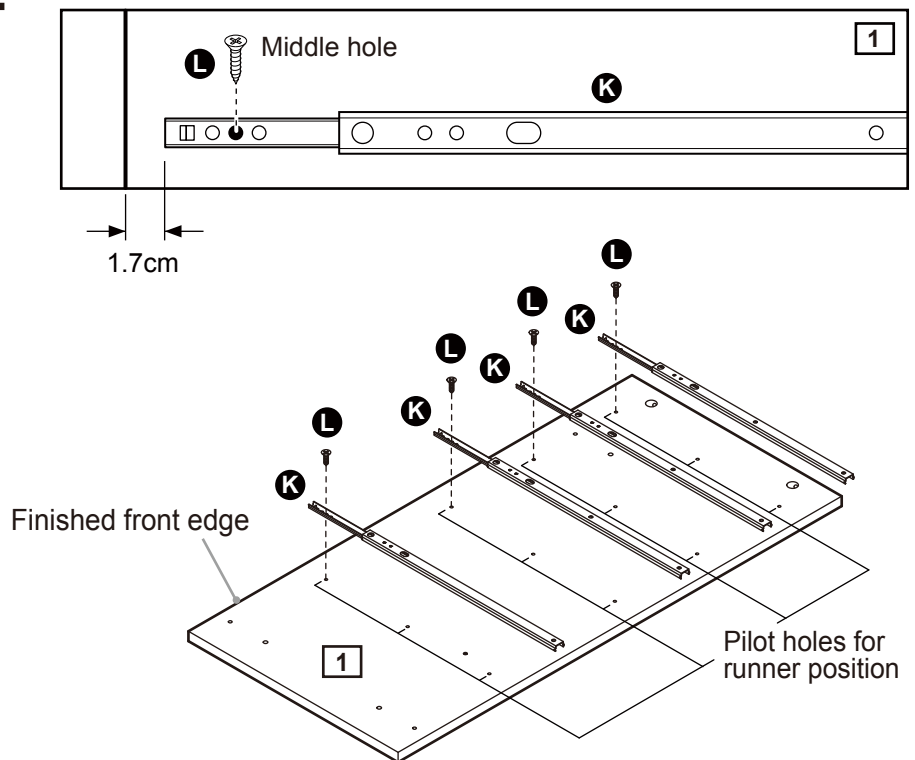
**c:** Position Runners **K** in front edge of the Left side panel **1**.

Slide top of the Runners **K** back.

Use screws **L** to fix the Runners **K** on the Left side panel **1**.

**Note:** The front part of the runner should be approximately 1.7cm from the front edge of the panel.

**c:**



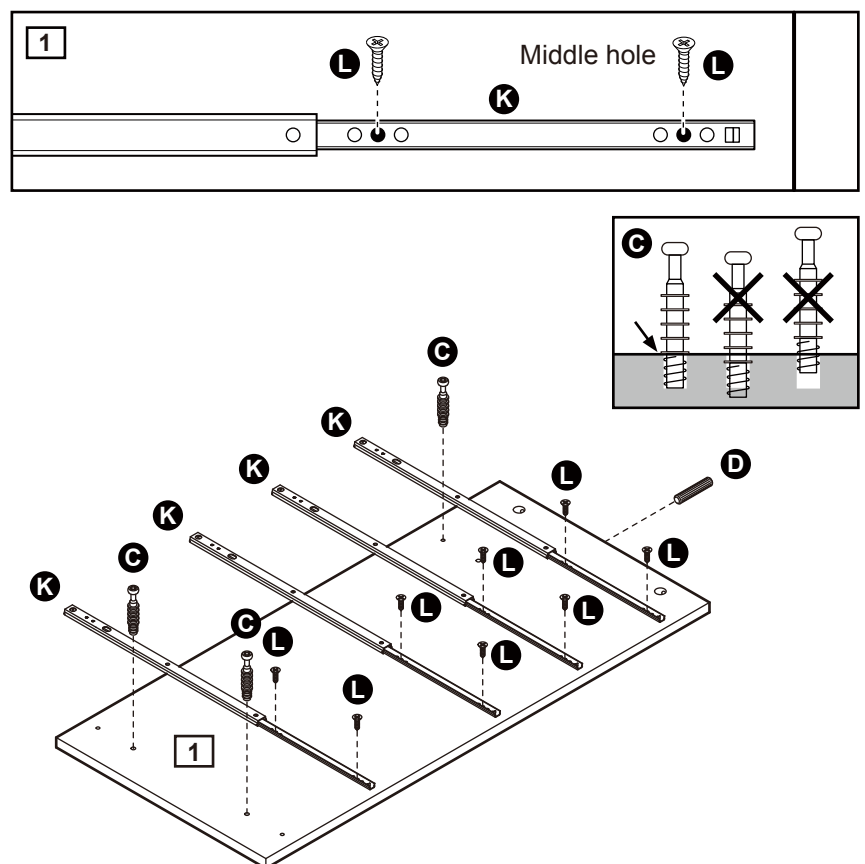
**d:** Slide top of Runners **K** forward and fix as shown using Screws **L**.

Insert Dowel **D** into the Right side panel **1**.

Screw Locking pins **C** into the Right side panel **1**.

**Note:** Insert Locking pins as far as shown. Do not over tighten.

**d:**



Continued on next page.

# Assembly Instructions

## Step 1 - continued

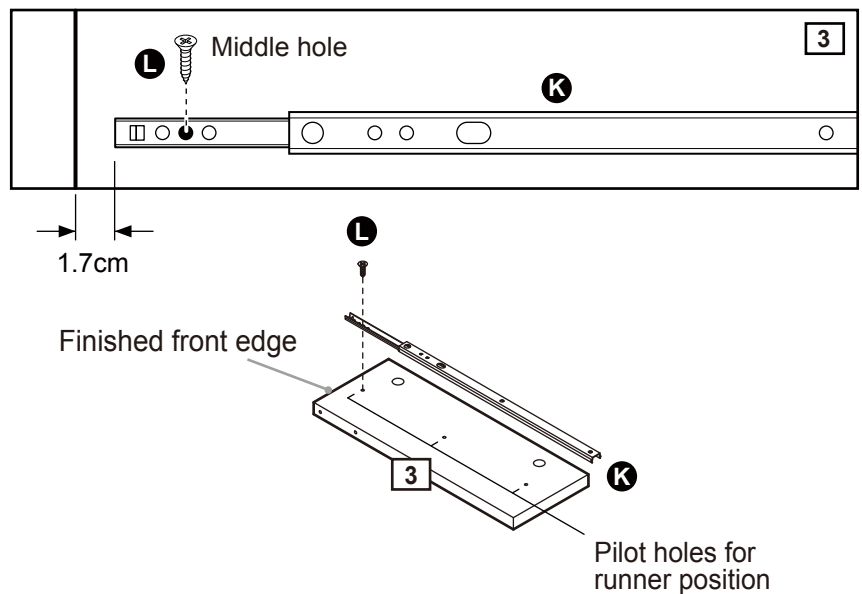
**e:** Position Runner **K** in front edge of the Top support **3**.

Slide top of the Runner **K** back.

Use screw **L** to fix the Runner **K** on the Top support **3**.

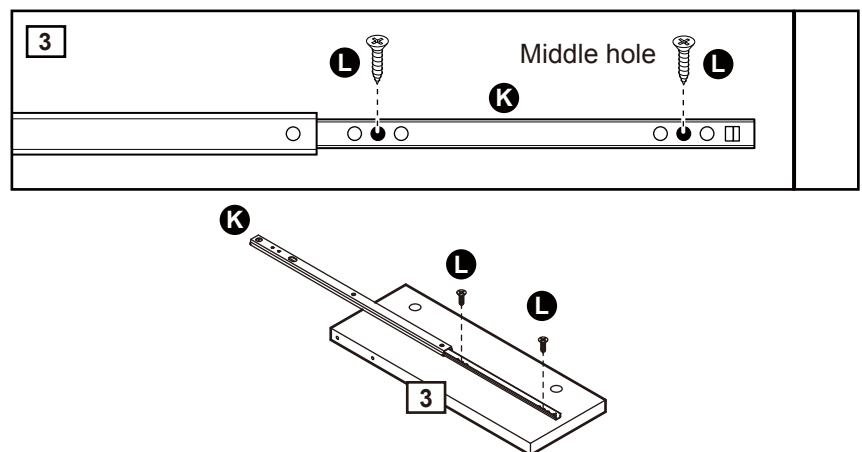
**Note:** The front part of the runner should be approximately 1.7cm from the front edge of the panel.

**e:**



**f:** Slide top of Runner **K** forward and fix as shown using Screws **L**.

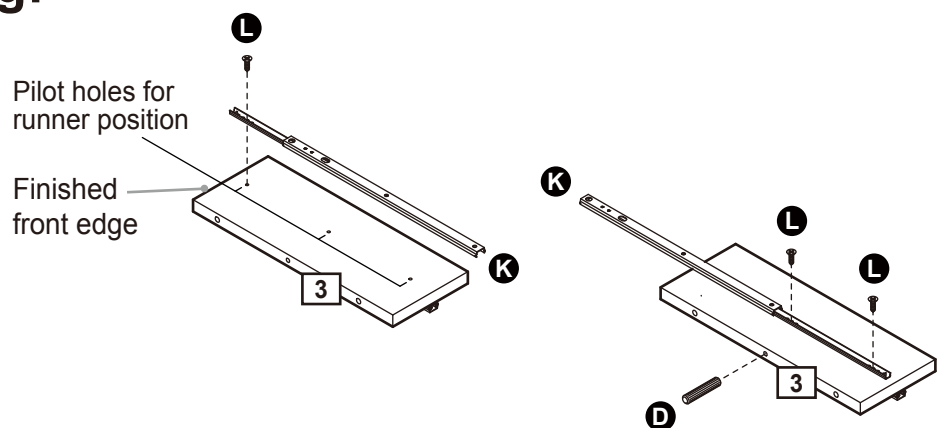
**f:**



**g:** Turn the Top support **3** upside down, repeat **e** and **f** with remaining Runner **K** and Screws **L**.

Insert Dowel **D** into the Top support **3**.

**g:**



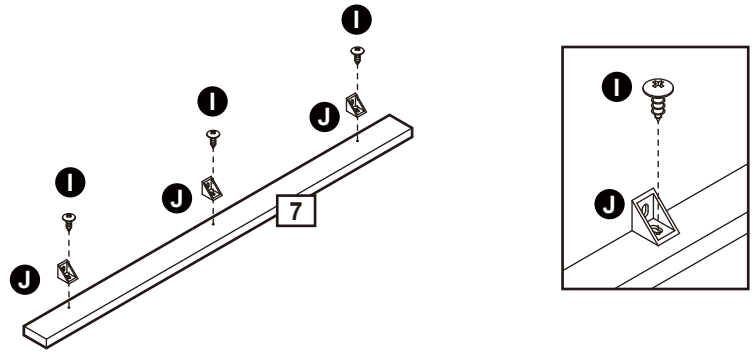
# Assembly Instructions

## Step 2

### Attaching plastic supports

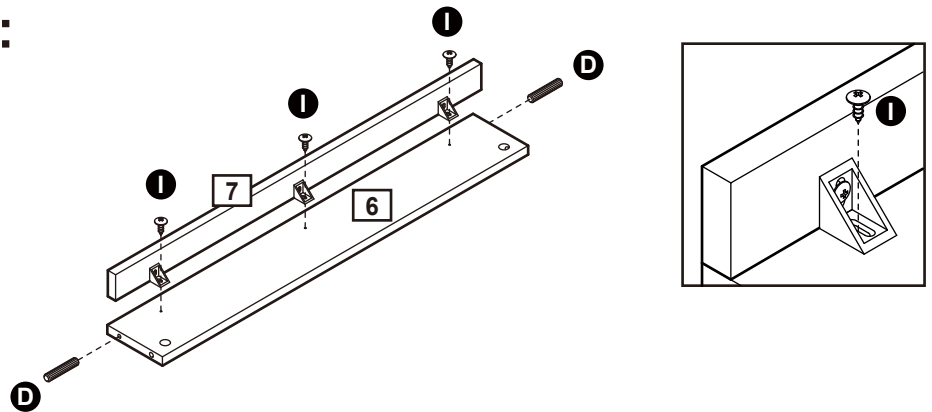
**a:** Use Screws **I** to fix Plastic supports **J** onto the Front panel **7**.

**a:**



**b:** Use Screws **I** to fix Front panel **7** onto the Front bottom panel **6**.

**b:**

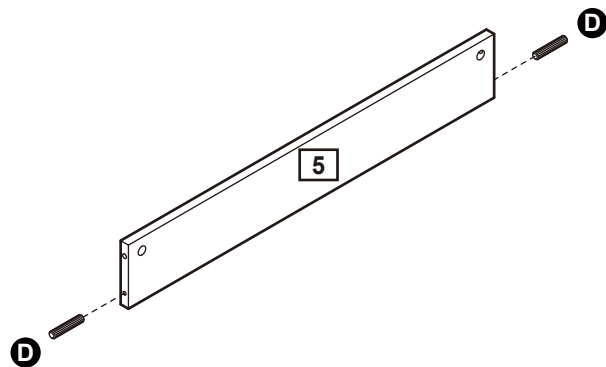


## Step 3

### Attaching bottom panel and middle panel

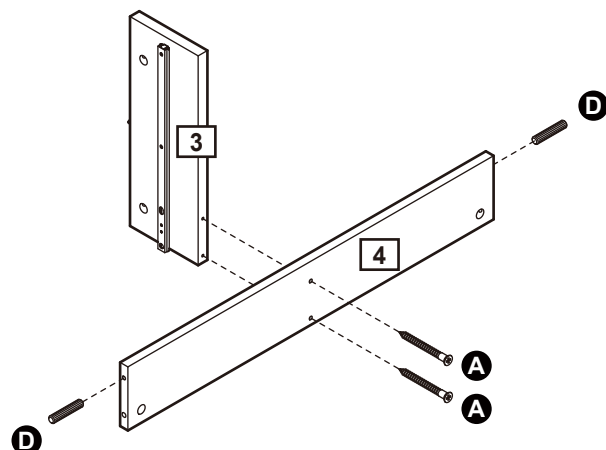
**a:** Insert Dowels **D** into the Back bottom panel **5**.

**a:**



**b:** Insert Dowels **D** into the Middle panel **4**.

**b:**



Use Screws **A** to fix the Top support **3** onto the Middle panel **4**.

Continued on next page.



# Assembly Instructions

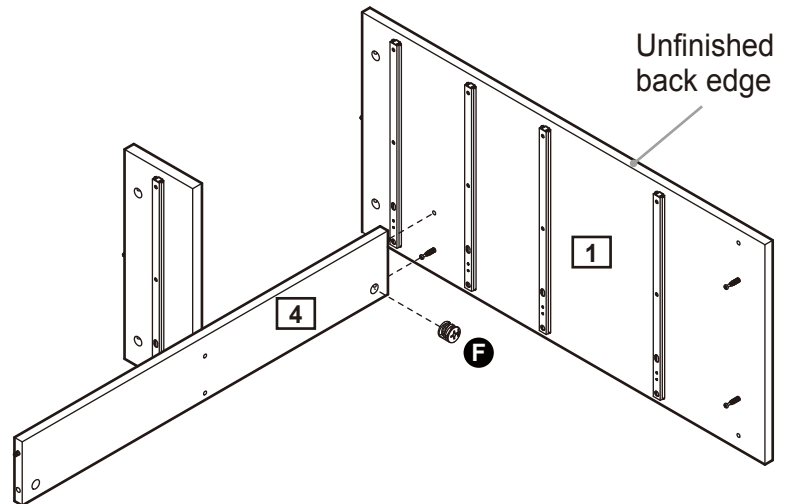
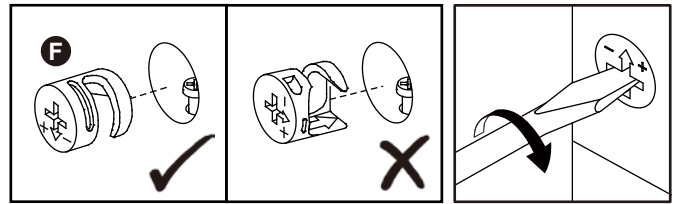
## Step 3 - continued

**c:** Carefully locate the Middle panel **4** onto the Left side panel **1**.

Insert Locking nut **F** into the Middle panel **4**.

Use a screwdriver to turn Locking nut **F** clockwise to lock.

**c:**

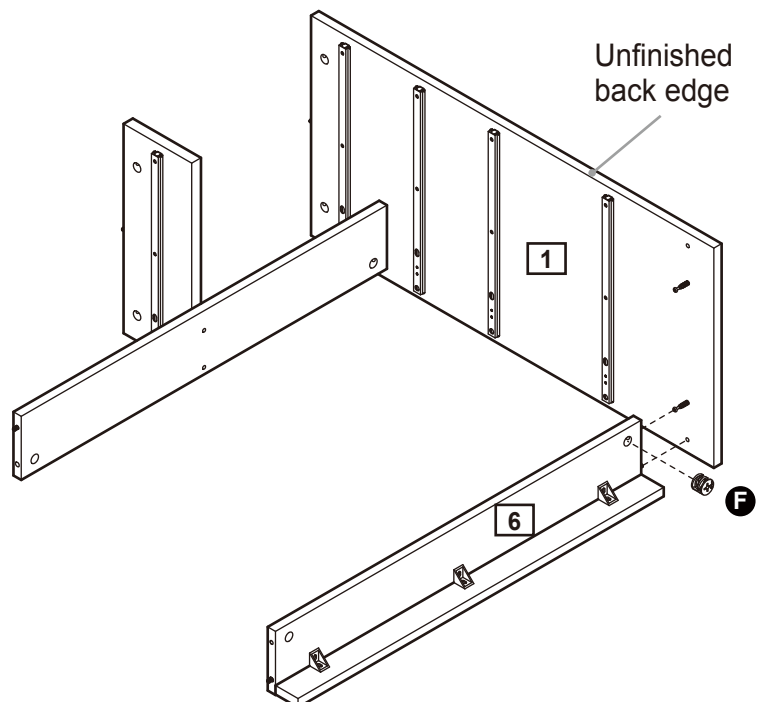
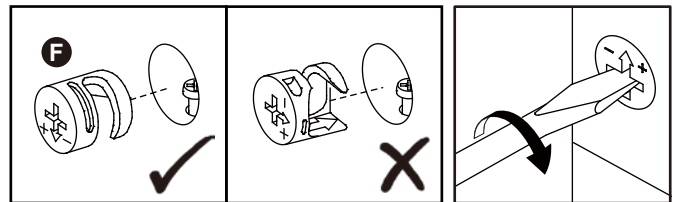


**d:** Carefully locate the Front bottom panel **6** onto the Left side panel **1**.

Insert Locking nut **F** into the Front bottom panel **6**.

Use a screwdriver to turn Locking nut **F** clockwise to lock.

**d:**



# Assembly Instructions

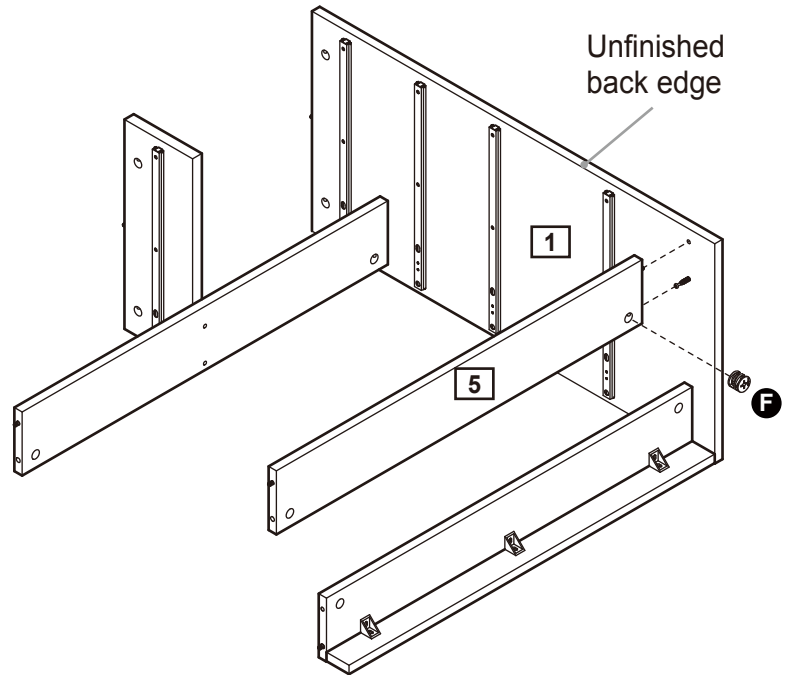
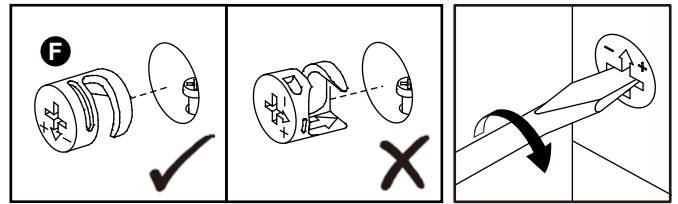
## Step 3 - continued

**e:** Carefully locate the Back bottom panel **5** onto the Left side panel **1**.

Insert Locking nut **F** into the Back bottom panel **5**.

Use a screwdriver to turn Locking nut **F** clockwise to lock.

**e:**



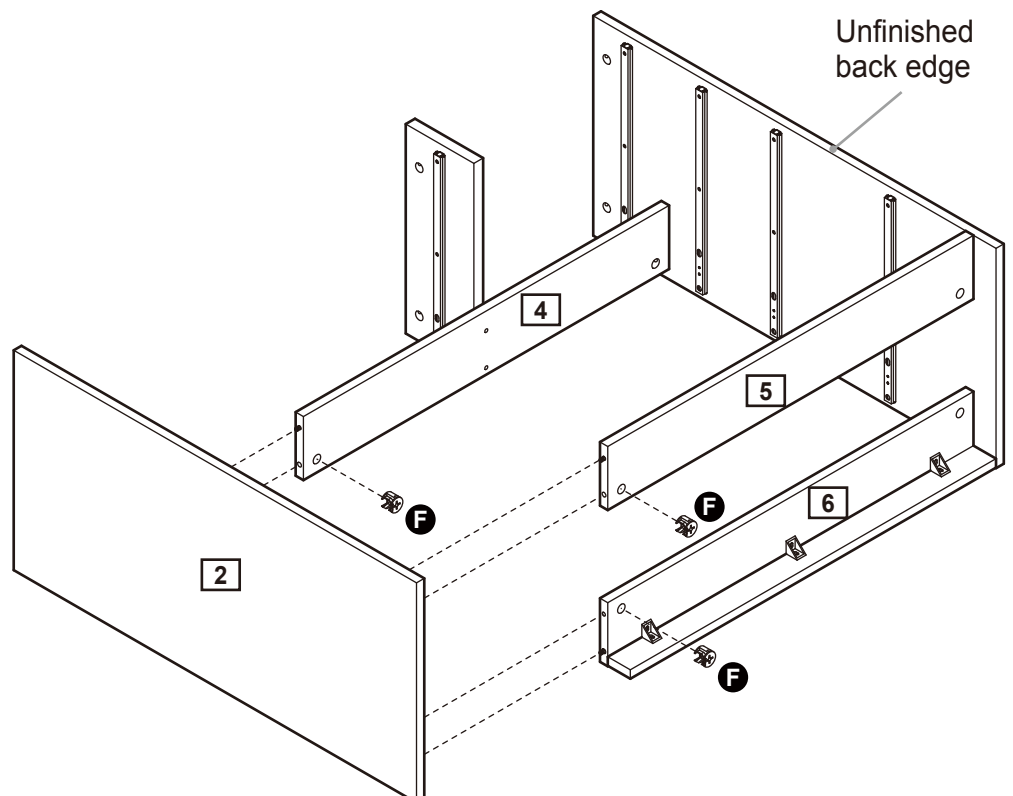
## Step 4

### Attaching right side panel

Carefully locate the Right side panel **2** onto the unit.

Insert 3 Locking nuts **F** into the unit.

Use a screwdriver to turn Locking nuts **F** clockwise to lock.



# Assembly Instructions

## Step 5

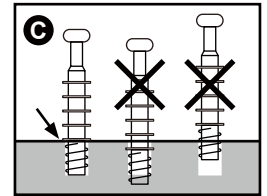
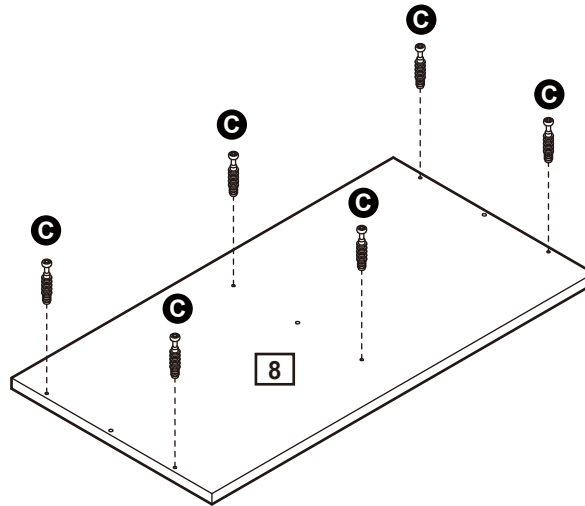
### Attaching top panel

**a:** Screw Locking pins **C** into the Top panel **8**.

**Note:** Insert locking pins as far as shown.

**Do not over tighten.**

**a:**

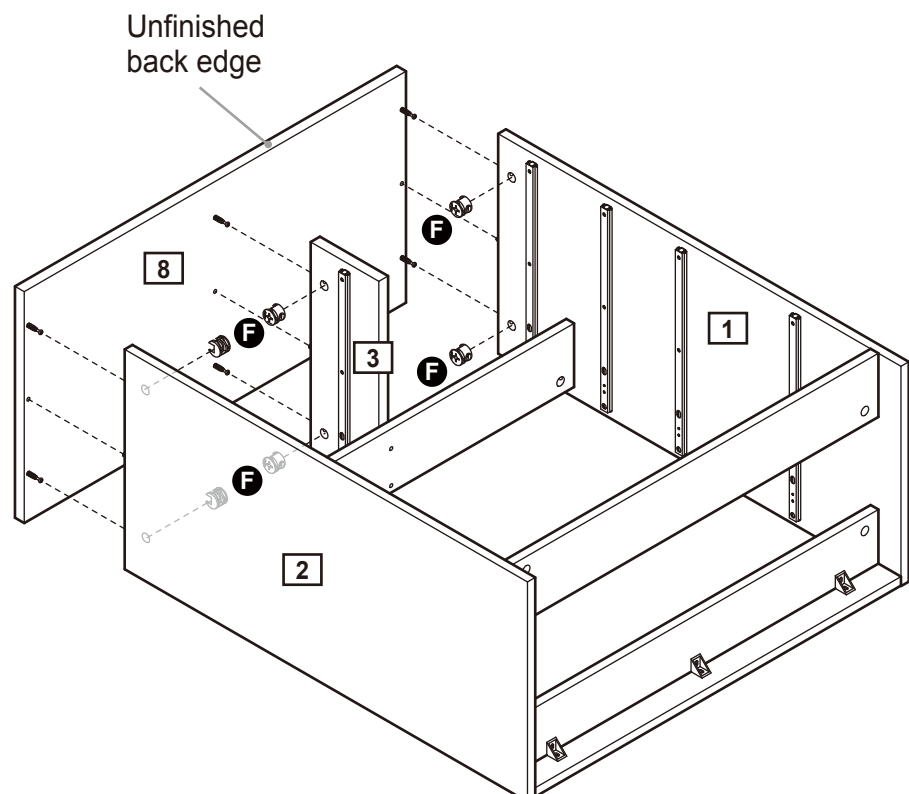
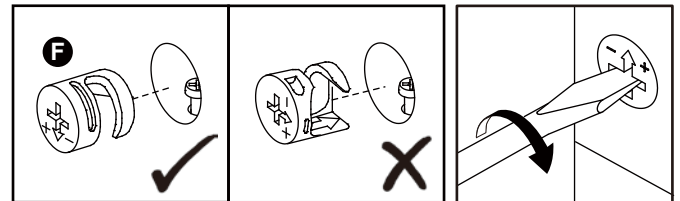


**b:** Then carefully locate the Top panel **8** onto the unit.

Insert 6 Locking nuts **F** into the unit.

Use a screwdriver to turn Locking nuts **F** clockwise to lock.

**b:**



# Assembly Instructions

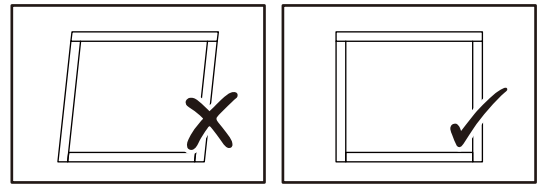
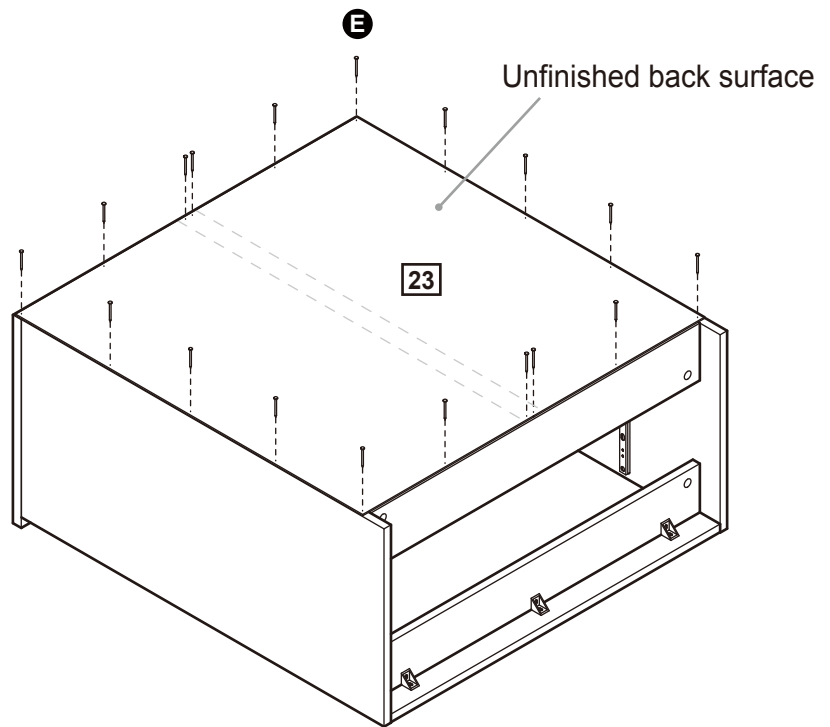
## Step 6

### Fixing back panel

Attach Back panel **23** onto the unit using Nails **E**.



**Important:**  
The unit **MUST** be 'square' when back is attached.



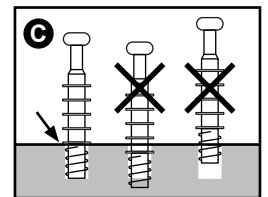
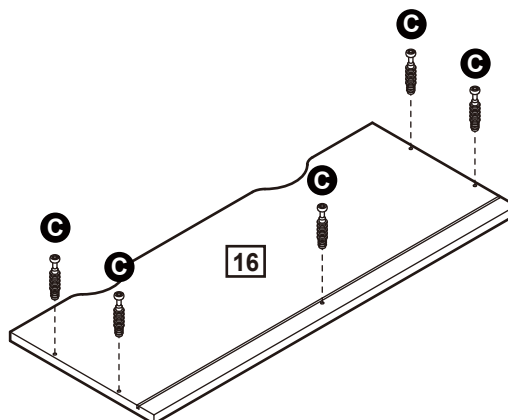
## Step 7

### Large drawer assembly

**a:** Screw Locking pins **C** into the Large drawer front panel **16**.

**Note:** Insert locking pins as far as shown.  
**Do not over tighten.**

**a:**



Continued on next page.

# Assembly Instructions

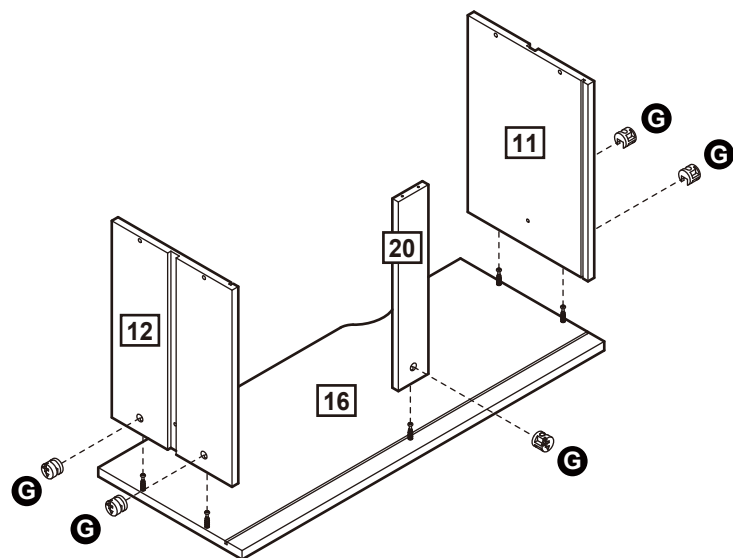
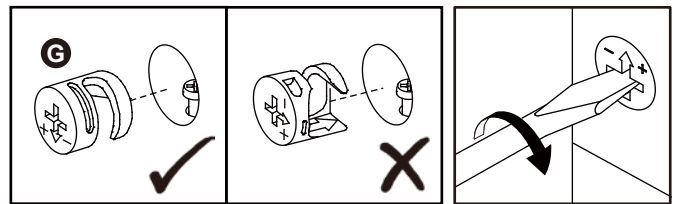
## Step 7 - continued

**b:** Fix the Large drawer left panel **11**, Large drawer right panel **12** and Large drawer support **20** onto the Large drawer front panel **16**.

Insert Locking nuts **G** into the holes (they will only insert one way).

Use a screwdriver to turn Locking nuts **G** clockwise to lock.

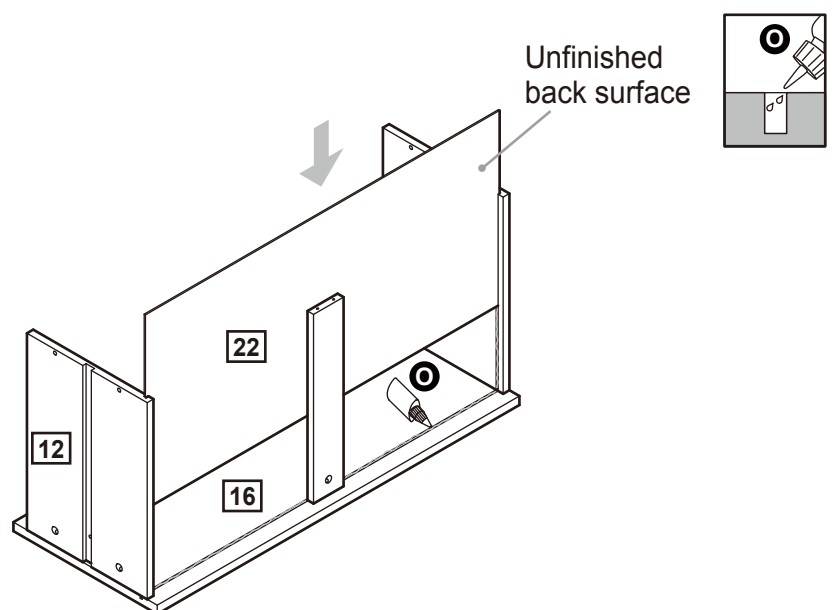
**b:**



**c:** Place a small amount of Glue **O** into the grooves.

Carefully slide the Large drawer bottom panel **22** into the grooves.

**c:**



Continued on next page.

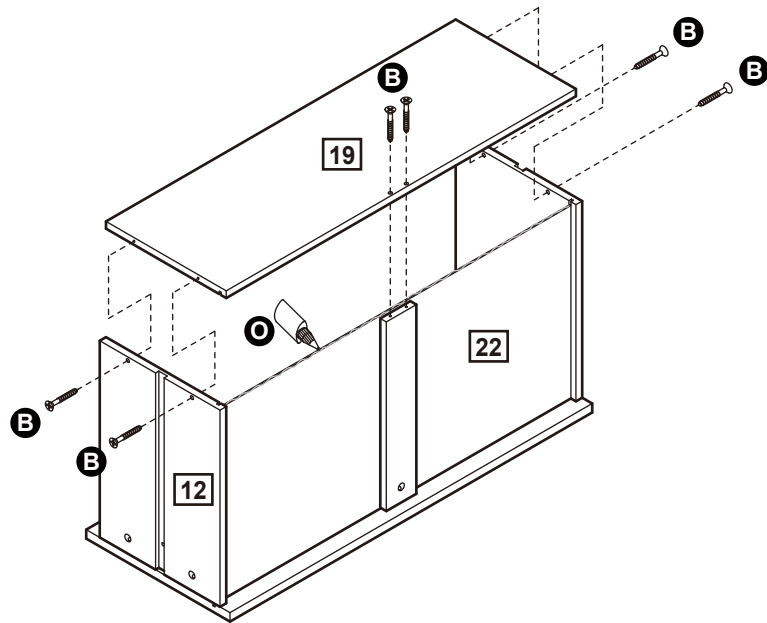
# Assembly Instructions

## Step 7 - continued

**d:** Place a small amount of Glue **O** onto the Large drawer bottom panel **22**.

Position the Large drawer back panel **19** onto the unit using Screws **B**.

**d:**



## Step 8

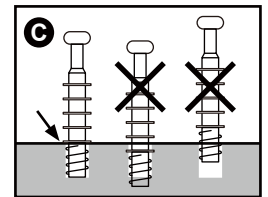
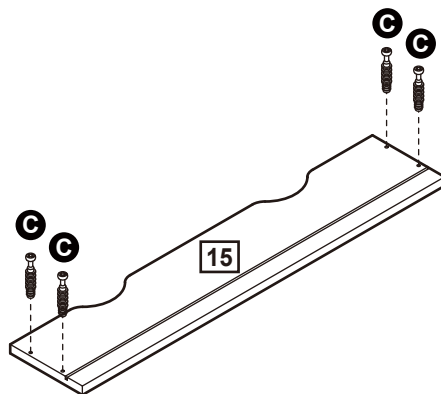
### Middle drawer assembly

**a:** Screw Locking pins **C** into the Middle drawer front panel **15**.

**Note:** Insert locking pins as far as shown.

**Do not over tighten.**

**a:**



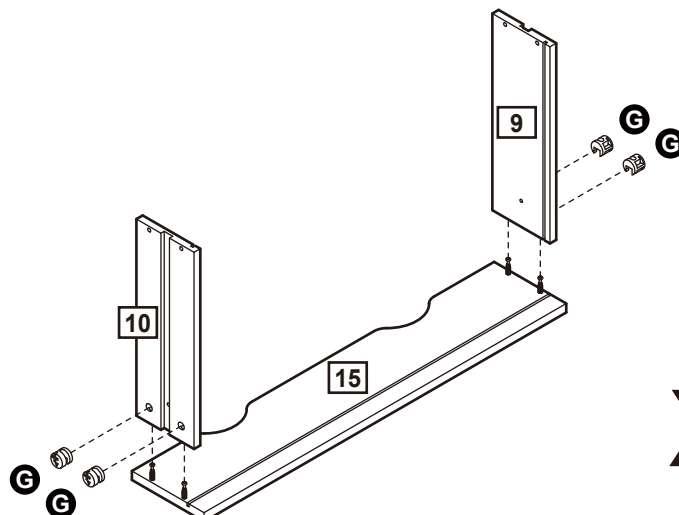
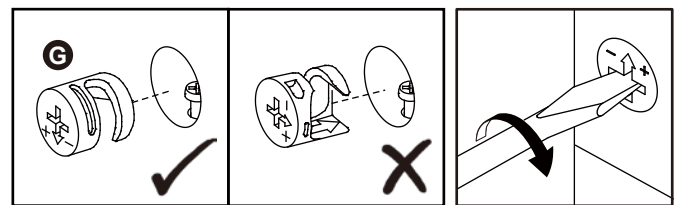
**X 2**

**b:** Fix the Small drawer left panel **9** and Small drawer right panel **10** onto the Middle drawer front panel **15**.

Insert Locking nuts **G** into the holes (they will only insert one way).

Use a screwdriver to turn Locking nuts **G** clockwise to lock.

**b:**



**X 2**

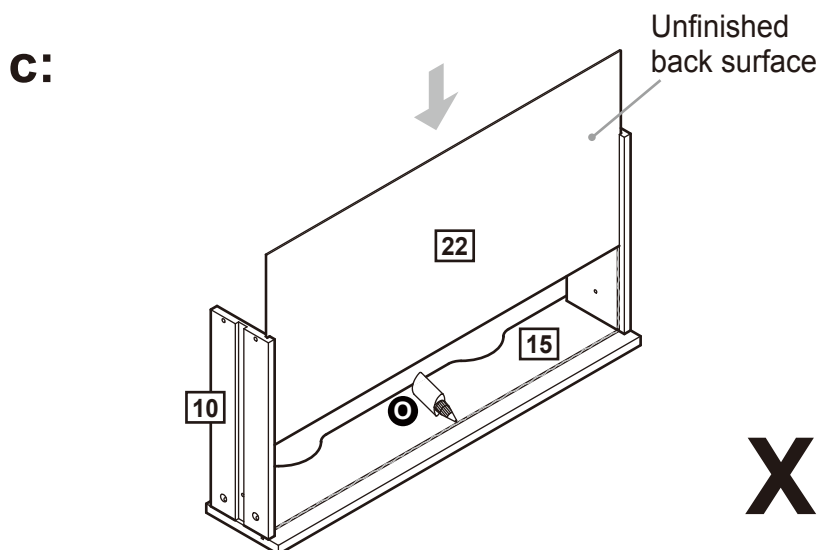
Continued on next page.

# Assembly Instructions

## Step 8 - continued

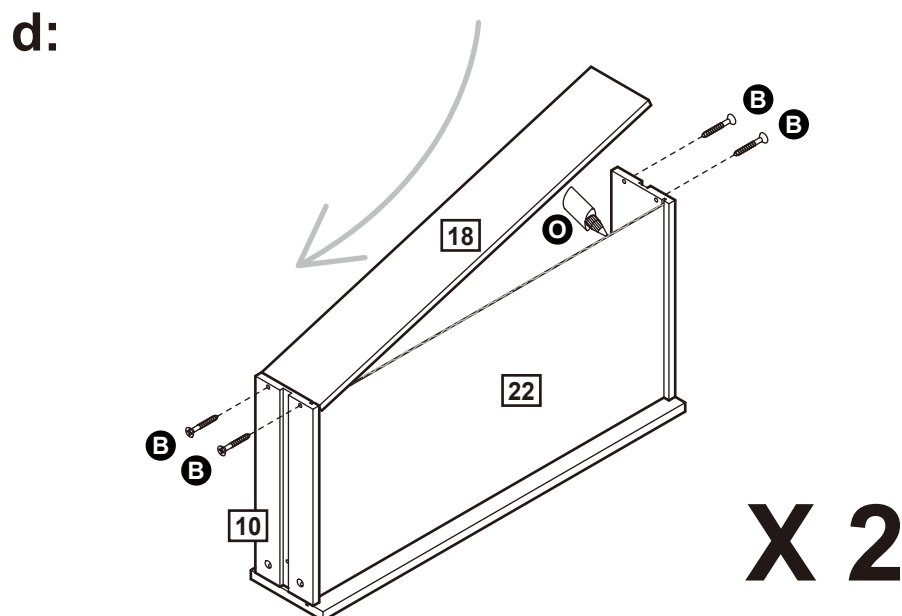
**c:** Place a small amount of Glue **C** into the grooves.

Carefully slide the Large drawer bottom panel **22** into the grooves.



**d:** Place a small amount of Glue **C** onto the Large drawer bottom panel **22**.

Position the Middle drawer back panel **18** onto the unit using Screws **B**.



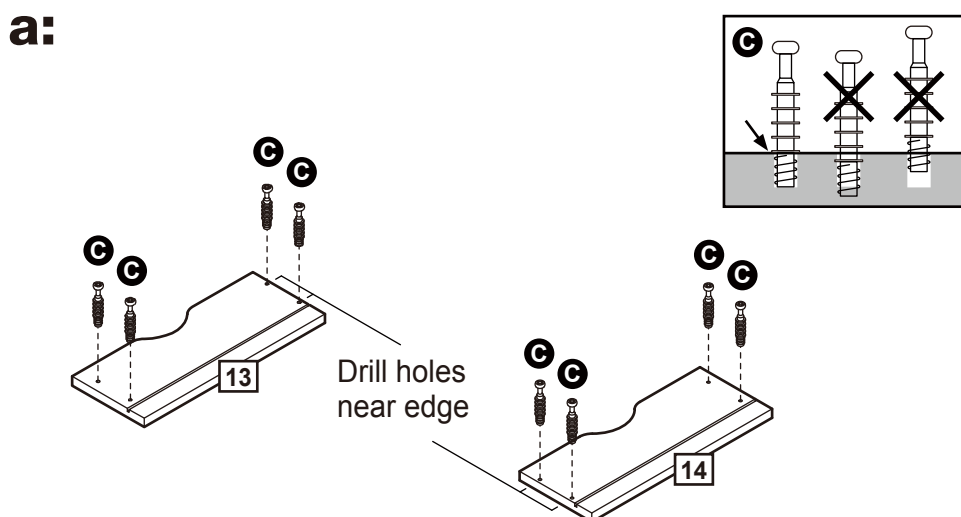
## Step 9

### Small drawer assembly

**a:** Screw Locking pins **C** into the Left drawer front panel **13** and Right drawer front panel **14**.

**Note:** Insert locking pins as far as shown.

**Do not over tighten.**



Continued on next page.

# Assembly Instructions

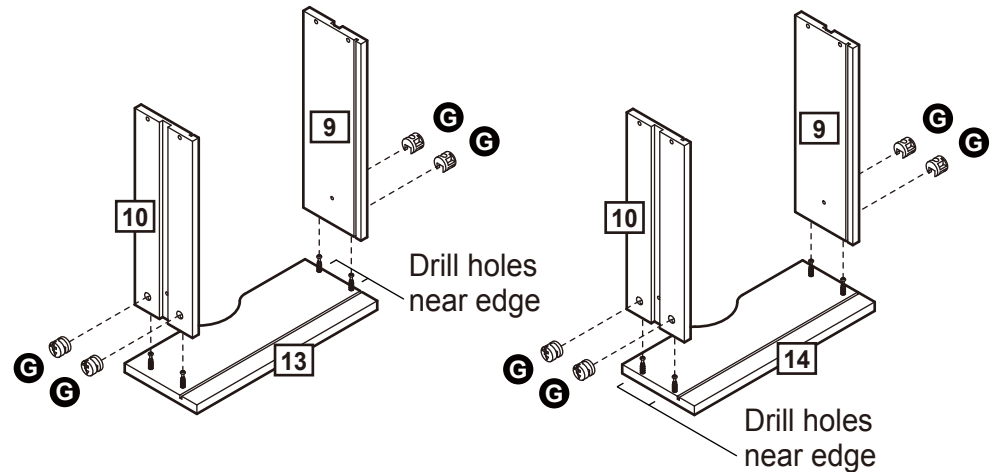
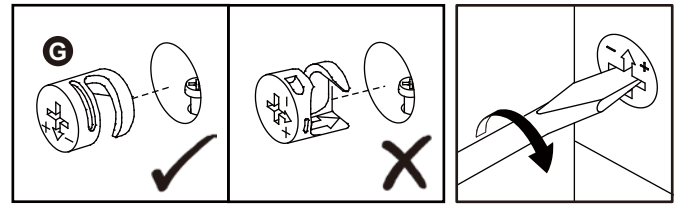
## Step 9 - continued

**b:** Fix the Small drawer left panels **9** and Small drawer right panels **10** onto the Left drawer front panel **13** and Right drawer front panel **14**.

Insert Locking nuts **G** into the holes (they will only insert one way).

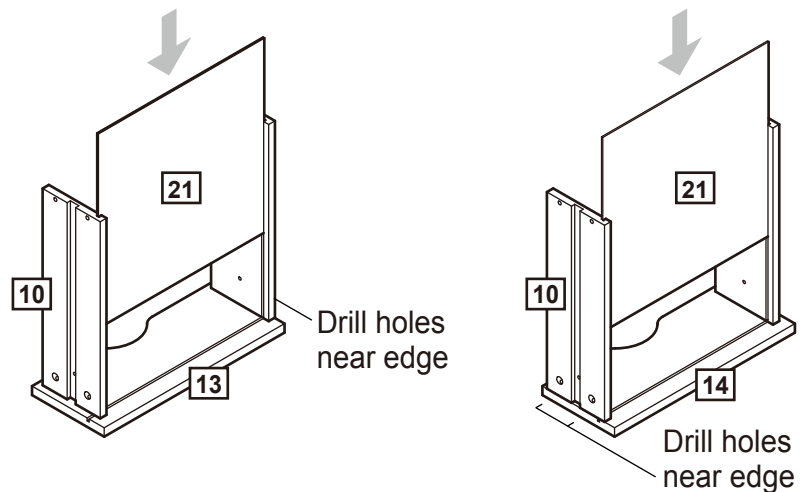
Use a screwdriver to turn Locking nuts **G** clockwise to lock.

**b:**



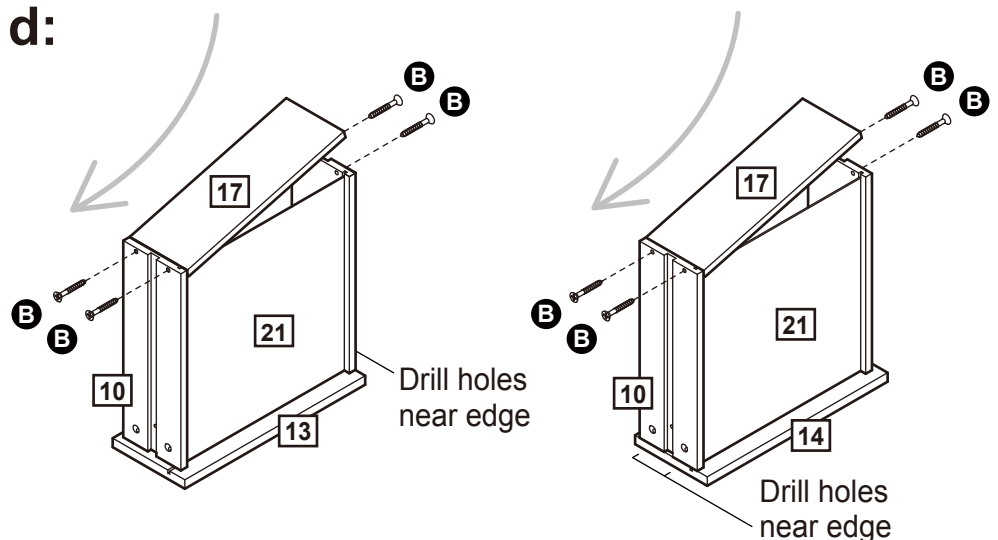
**c:** Carefully slide the Small drawer bottom panels **21** into the grooves.

**c:**



**d:** Position the Small drawer back panels **17** onto the units using Screws **B**.

**d:**





# Assembly Instructions

## Step 10

### Fixing to wall



**Warning:** In order to prevent overturning, this product must be used with the wall attachment device provided.

Use Screws(2 pcs) **I** to fix Wall straps(2 pcs) **M** onto the unit.

With help, move this product into position.



**Warning:** This product is heavy.

**Lift with care.**

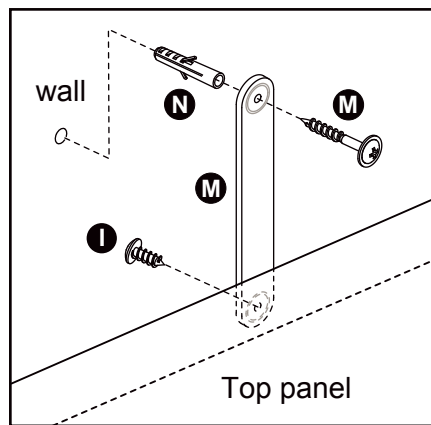
Mark fixing hole on wall and remove this product.

Drill 2 holes and insert Wall pulgs(2 pcs) **N**.

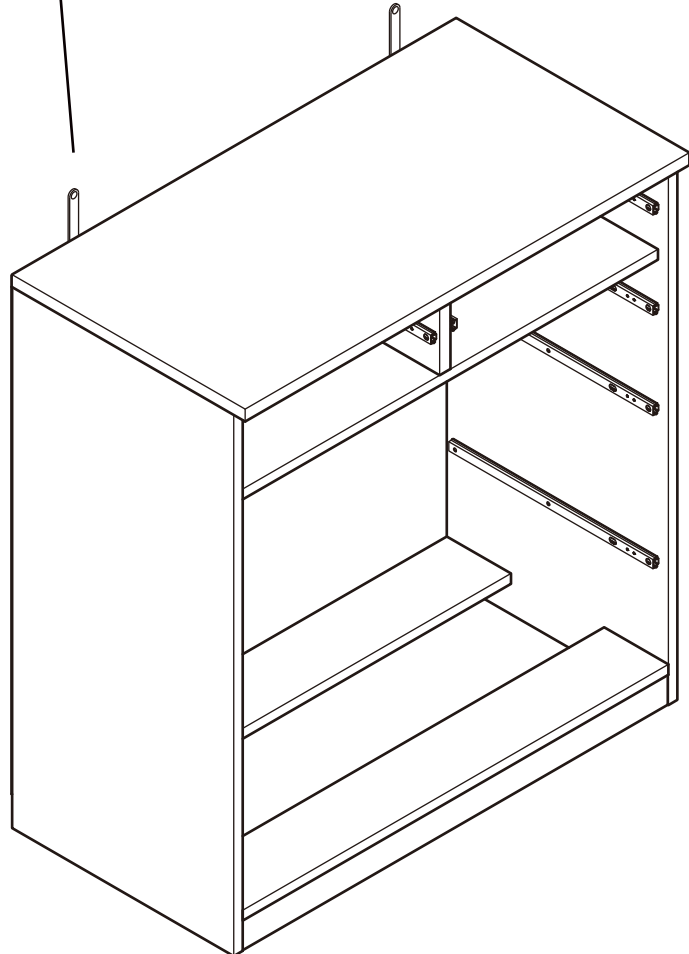
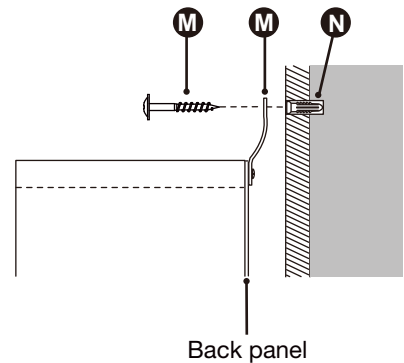


**Warning:** Before drilling, check wall for hidden pipes and cables.

Reposition this product and fix wall straps using Screws(2 pcs) **M**.



**Note:** Wall plugs supplied are for solid wall only.  
The correct type of fixing must be used for your wall, seek professional advice if in doubt



# Assembly Instructions

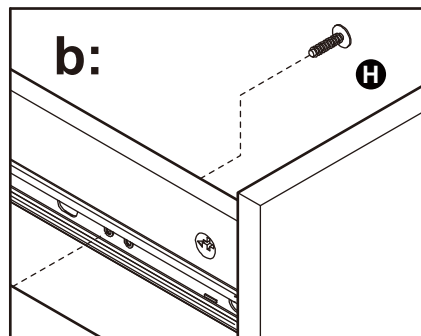
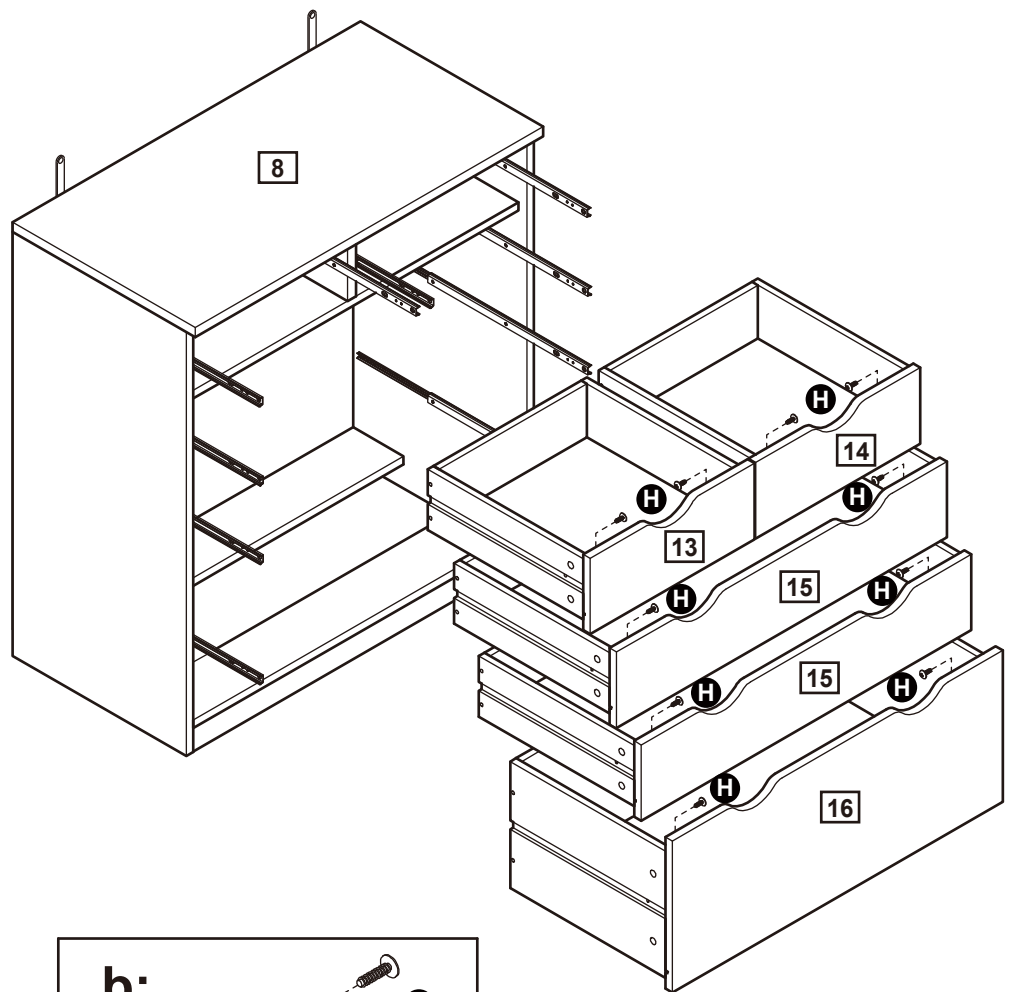
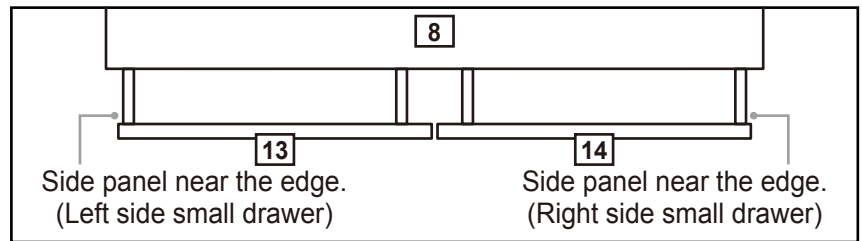
## Step 11

### Inserting drawers

**a:** Pull runners out. Slide drawers onto runners so they butt up against back of drawer front.

**b:** Fix through drawer sides into runners using screws **H**.

**a:**



Assembly is complete.

If you need help or have damaged or missing parts, call the **Customer Helpline:**  
**Argos = 0345 6400800**

# A Guide to - Wall Mounting & Fixings

## Important note:

If plastic wall plugs are supplied with your product:



- these are only suitable for use in masonry walls.

If you are in any doubt about the correct wall plugs for your wall, seek professional advice.


Failure of the product due to using incorrect fixings is the responsibility of the installer.



**Important:** When drilling into walls always check that there are no hidden wires or pipes etc.

Make sure that the screws and wall plugs being used are suitable for supporting your unit. Consult a qualified tradesperson if you are unsure.

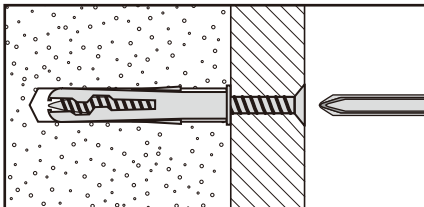
### Hints:

- 1: General rule:**  Always use a larger screw and wall plug if you are not sure.
- 2:** Ensure you use the recommended drill bit to match the wall plug and hole size.
- 3:** Ensure you drill the hole horizontally, do not force the drill or enlarge the hole.
- 4:** Take extra care when drilling high walls, ceilings and ceramic tiles. Ensure wall plugs are inserted beyond the thickness of the ceramic tiles to avoid the tiles splitting or cracking.
- 5:** Ensure wall plugs are well fitted and are a tight fit in the drilled hole.

## Types of walls

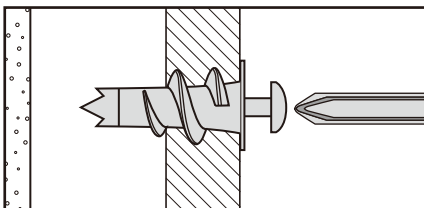
You can use one of the following types of wall plug if your walls are made of brick, breeze block, concrete, stone or wood.

### No.1 "General Purpose" wall plug



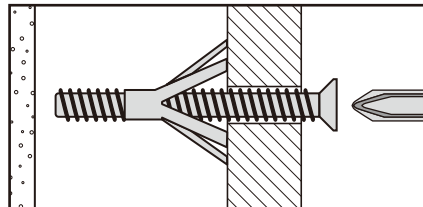
Generally aerated blocks should not be used to support heavy loads, use a specialist fitting in this case. For light loads, general purpose wall plugs can be used.

### No.2 "Plasterboard" wall plug



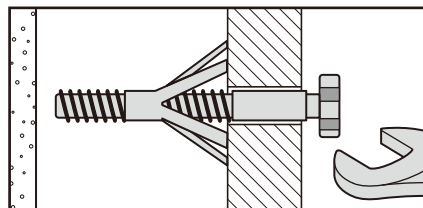
For use when attaching light loads on to plasterboard partitions.

### No.3 "Cavity Fixing" wall plug



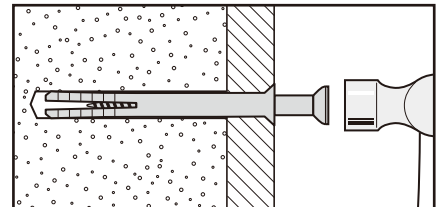
For use with plasterboard partitions or hollow wooden doors.

### No.4 "Cavity Fixing-Heavy Duty" wall plug



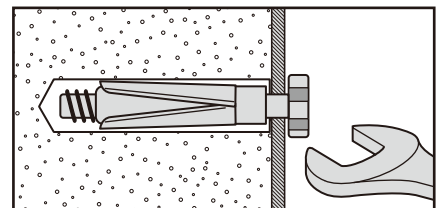
For use when fitting or supporting heavy loads such as shelving, wall cabinets and coat racks.

### No.5 "Hammer Fixing" wall plug



For use with walls stuck with plasterboard. The hammer fixing allows it to be fixed to the wall rather than the plasterboard. Always check the fixing is secure to the retaining wall.

### No.6 "Shield Anchor" wall plug Heavy loads



For use with heavier loads such as TV & HiFi speakers and satellite dishes etc.



## Care & Maintenance

**Safety:** Always check the fitting and location to ensure your safety in and around the home.

**Fitting:** From time to time check the fitting to ensure the wall plugs or screws do not become loose.