

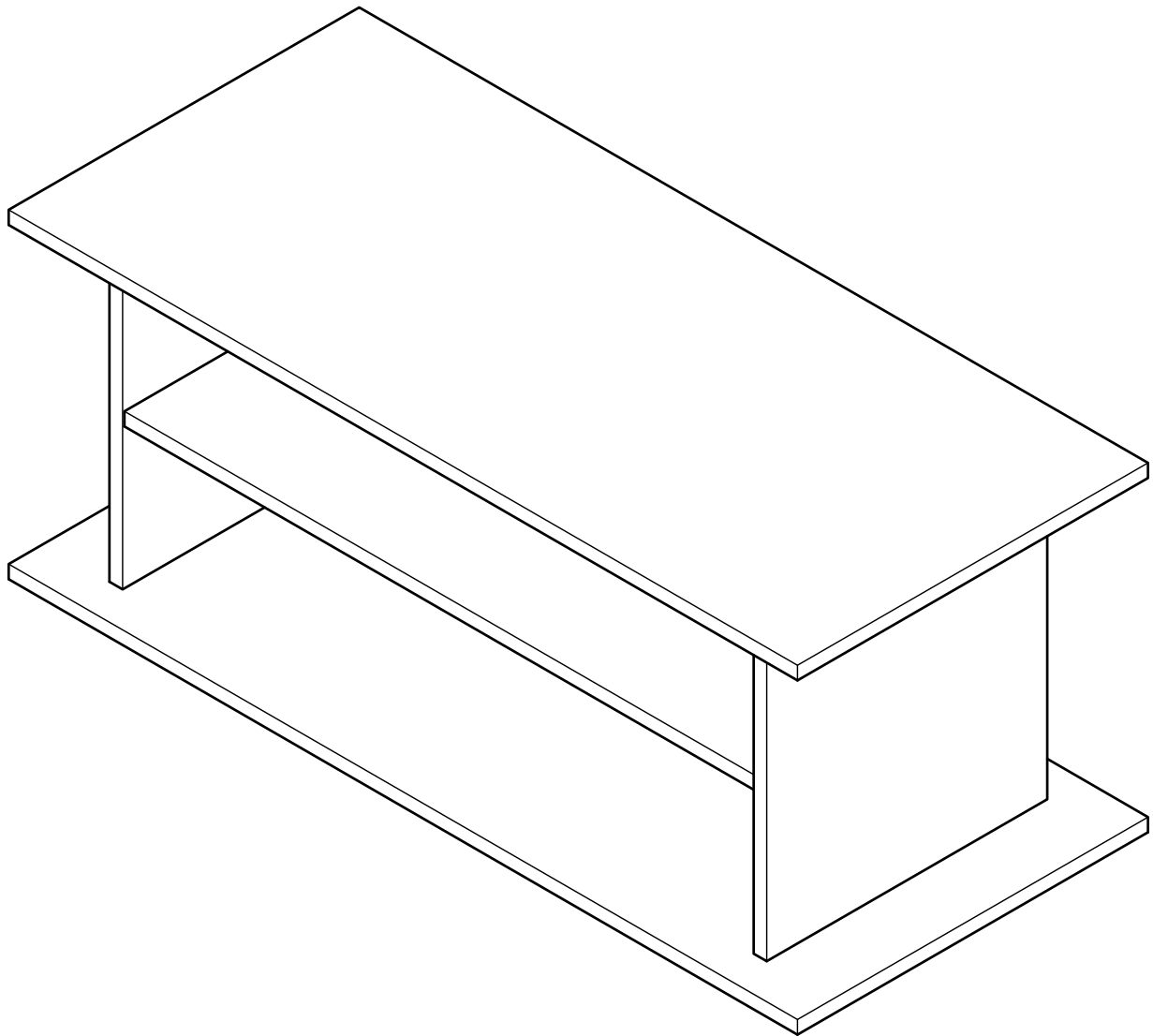
# AVR Large TV Stand

Assembly Instructions - Please keep for future reference

609/1886

609/2689

609/3695



## Dimensions

Width - 90cm

Depth - 40cm

Height - 38cm

**Important** - Please read these instructions fully before starting assembly

If you need help or have damaged or missing parts, call the **Customer Helpline: 08456 400800**



# Safety and Care Advice

## Important - Please read these instructions fully before starting assembly

- Check you have all the components and tools listed on page 2 and 3.
- Remove all fittings from the plastic bags and separate them into their groups.
- Keep children and animals away from the work area, small parts could choke if swallowed.
- Make sure you have enough space to layout the parts before starting.

- Do not stand or put weight on the panels during assembly, this could cause damage.
- Assemble the item as close to its final position (in the same room) as possible.
- Assemble on a soft level surface to avoid damaging the unit or your floor.
- Parts of the assembly will be easier with 2 people.



- We do not recommend the use of power drill/driver **for inserting screws**, as this could damage the unit. Only use hand screwdrivers.
- Dispose of all packaging carefully and responsibly.

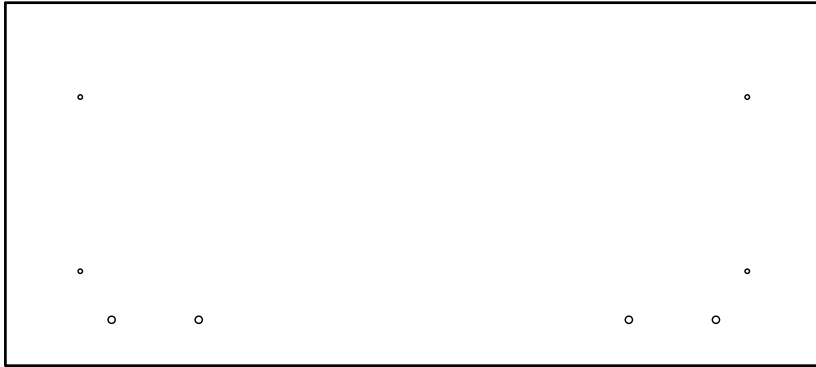
## Care and maintenance

- Only clean using a damp cloth and mild detergent, do not use bleach or abrasive cleaners.
- From time to time check that there are no loose screws on this unit.
- This product should not be discarded with household waste. Take to your local authority waste disposal centre.

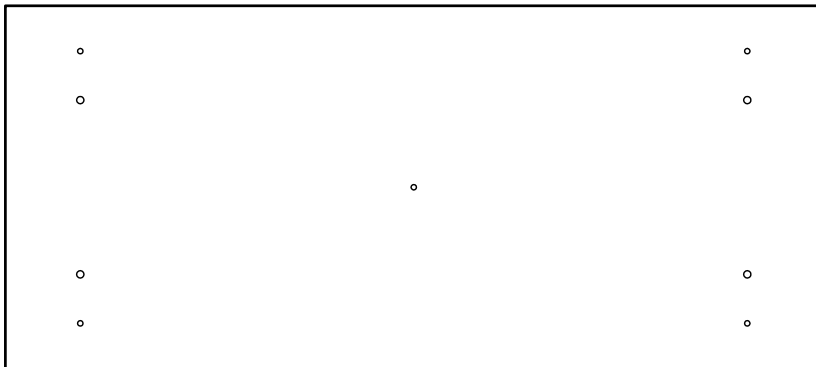
**Note:** If required the next page can be cut out and used as reference throughout the assembly. Keep this page with these instructions for future reference.

# Components - Panels

Please check you have all the panels listed below



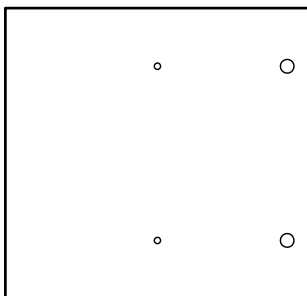
**1** Table top (90 x 40cm)



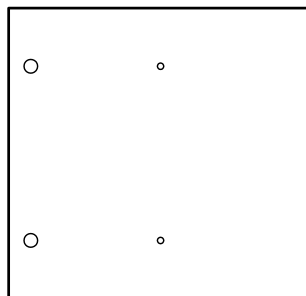
**2** Bottom (90 x 40cm)



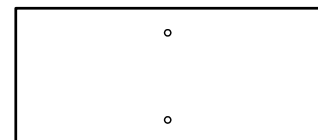
**3** Shelf (72 x 30cm)



**4** Left side (33.5 x 32cm)



**5** Right side (33.5 x 32cm)



**6** Back support x 2 (33.5 x 15cm)




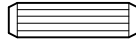

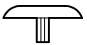
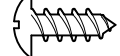



# Components - Fittings

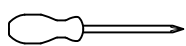
If you have damaged or missing components, call the **Customer Helpline: 08456 400800**

Please check you have all the fittings listed below

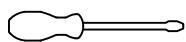
**Note:** The quantities below are the correct amount to complete the assembly. In some cases more fittings may be supplied than are required.

<b>A</b>  Locking pin x 4	<b>B</b>  Locking nut x 4	<b>C</b>  57mm Screw x 12
<b>D</b>  Dowel x 8	<b>E</b>  16mm Plastic plug x 4	<b>F</b>  13mm Plastic plug x 4
<b>G</b>  17mm Screw x 5	<b>H</b>  Foot x 5	

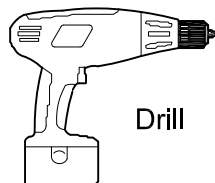
## Tools required



Phillips screwdriver  
(medium & large)

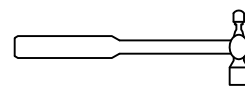


Flatblade screwdriver  
(medium)



Drill

7mm Masonry drill bit  
(for use with wall plug)



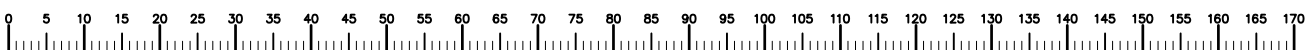
Small  
hammer



Ruler/tape  
measure

Eye protection  
(when using a  
hammer or glue)

Ruler - Use this ruler to help correctly identify the screws



# Assembly Instructions

## Step 1

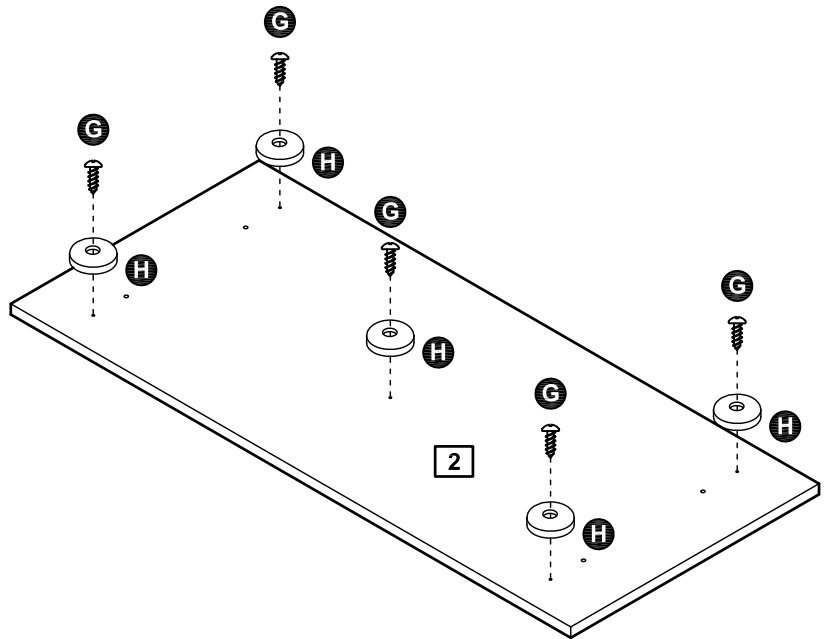
### Fitting the bottom panel

**a:** Use screws **G** to fix feet **H** onto bottom panel **2**.

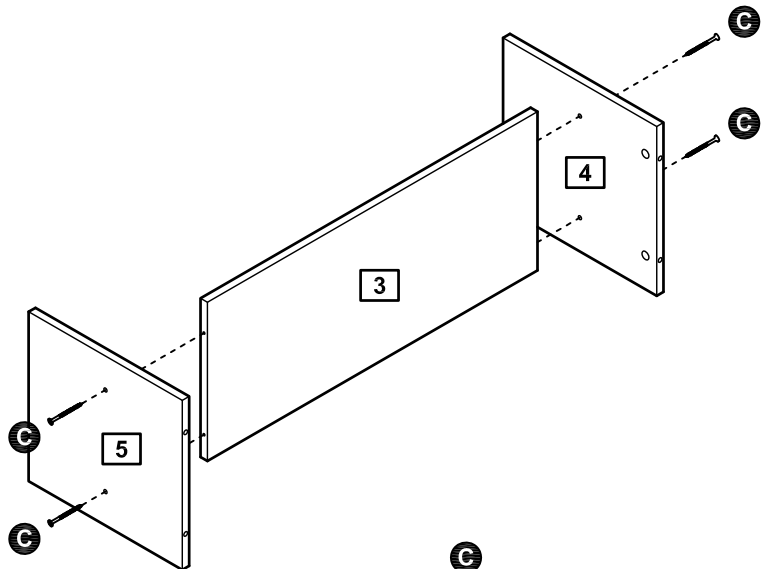
**b:** Use screws **C** to fix left side panel **4** and right side panel **5** onto shelf **3**.

**c:** Use screws **C** to fix bottom panel **2** onto the unit.

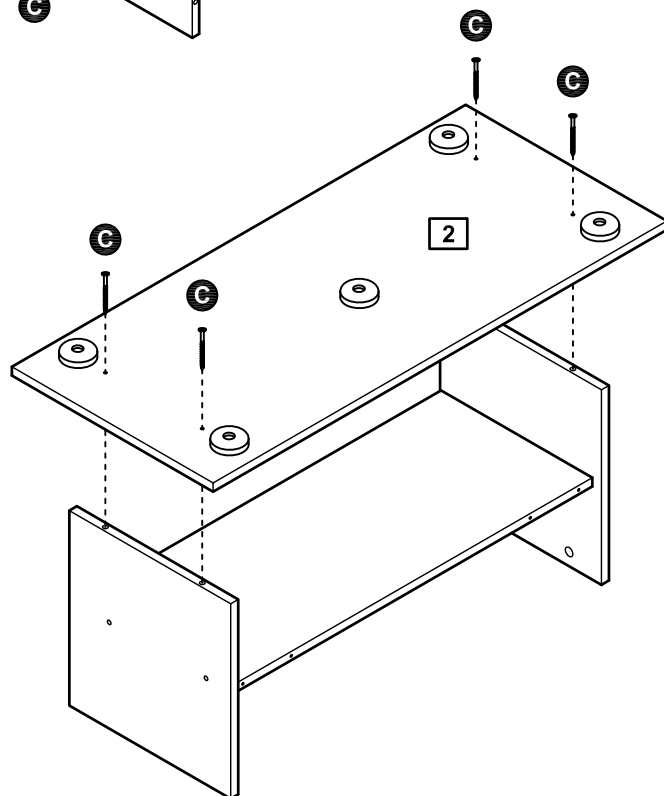
**a:**



**b:**



**c:**

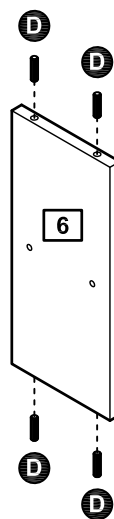


# Assembly Instructions

## Step 2

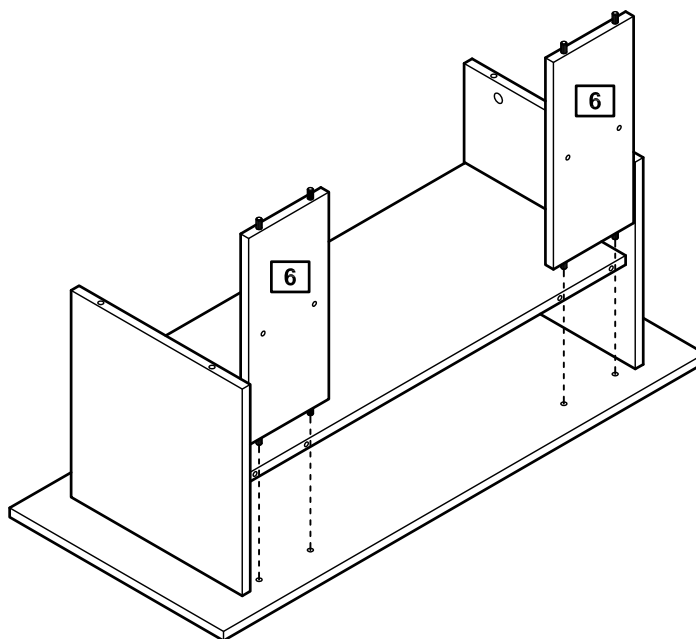
### Fitting the back supports

**a:** Insert dowels **D** into back supports **6**.



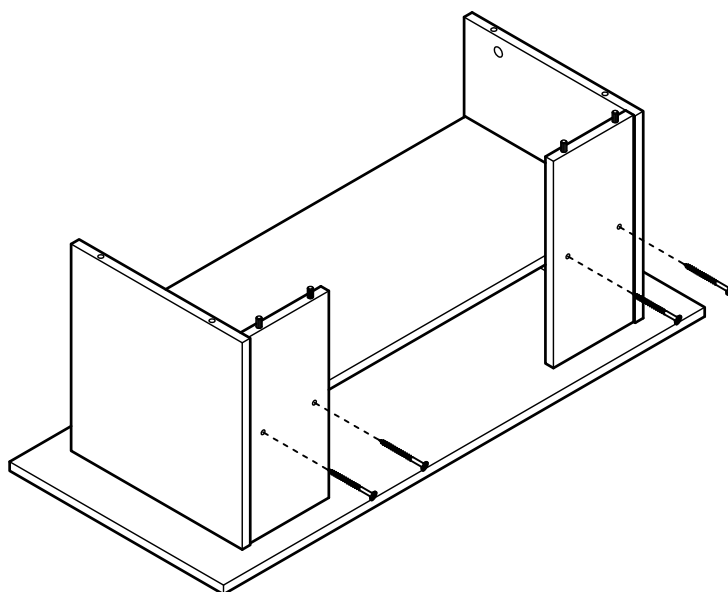
**b:** Fit back supports **6** into the unit.

**b:**



**c:** Use screws **C** to fix back supports **6** into the unit.

**c:**

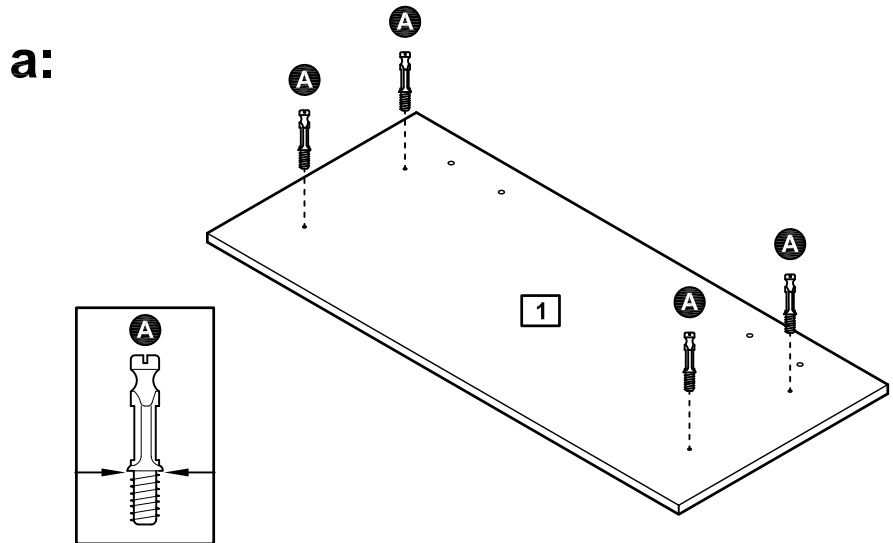


# Assembly Instructions

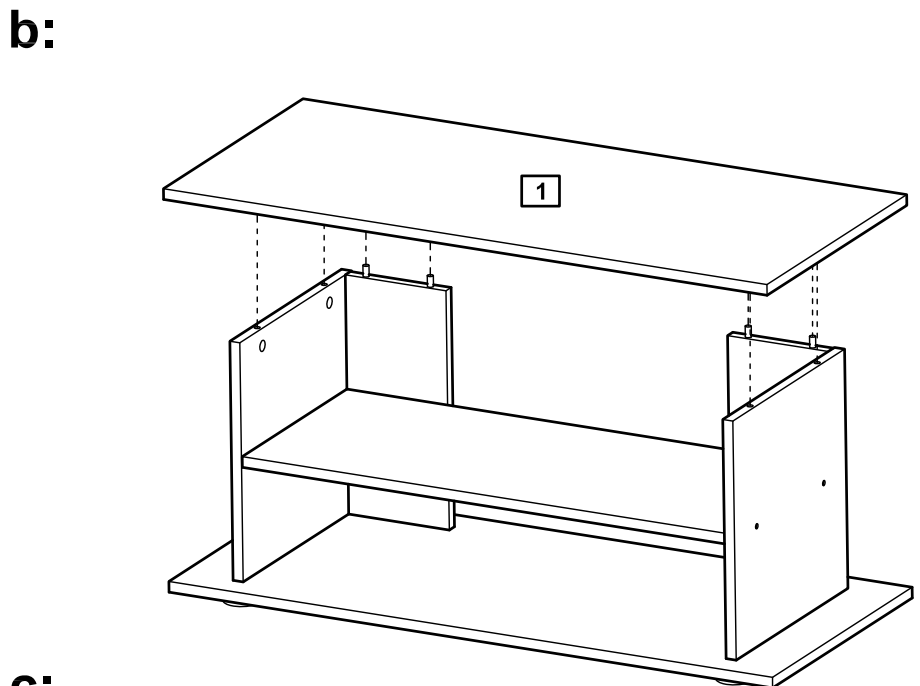
## Step 3

### Fitting the table top

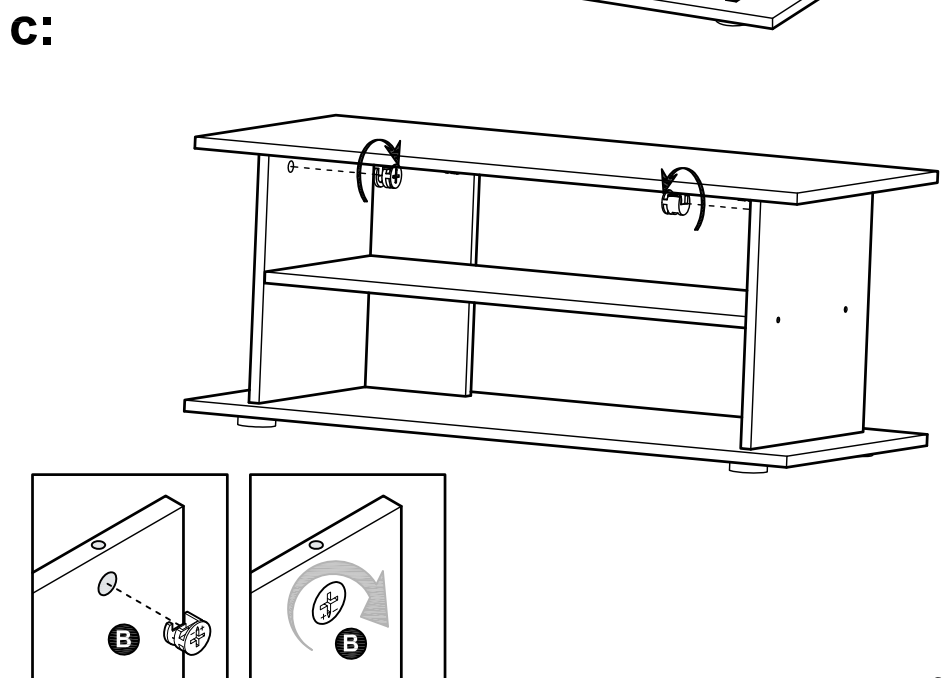
**a:** Screw locking pins **A** into table top **1**. Insert locking pins as far as shown.



**b:** Carefully place the table top **1** onto the unit.



**c:** Insert locking nuts **B** into left side panel **4** and right side panel **5**, then use a screwdriver to turn locking nuts **B** clockwise to lock.



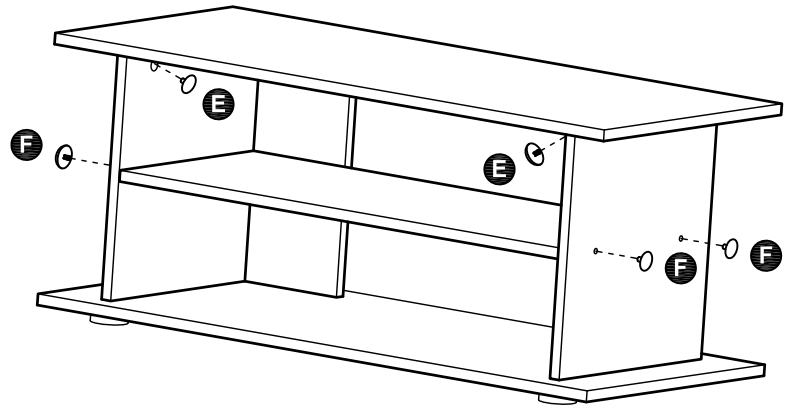
# Assembly Instructions

## Step 4

### Finish the unit

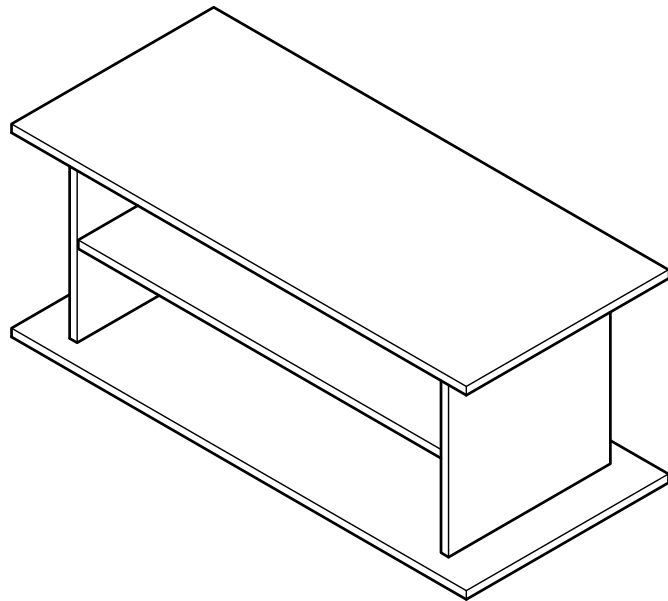
**a:** Use plastic plugs **E** and **F** to cover the screw headings.

**a:**



**b:** With help, place the unit in the intended position.

**b:**



**Assembly is complete.**

If you need help or have damaged or missing parts, call the **Customer Helpline: 08456 400800**