

Modular TV Unit

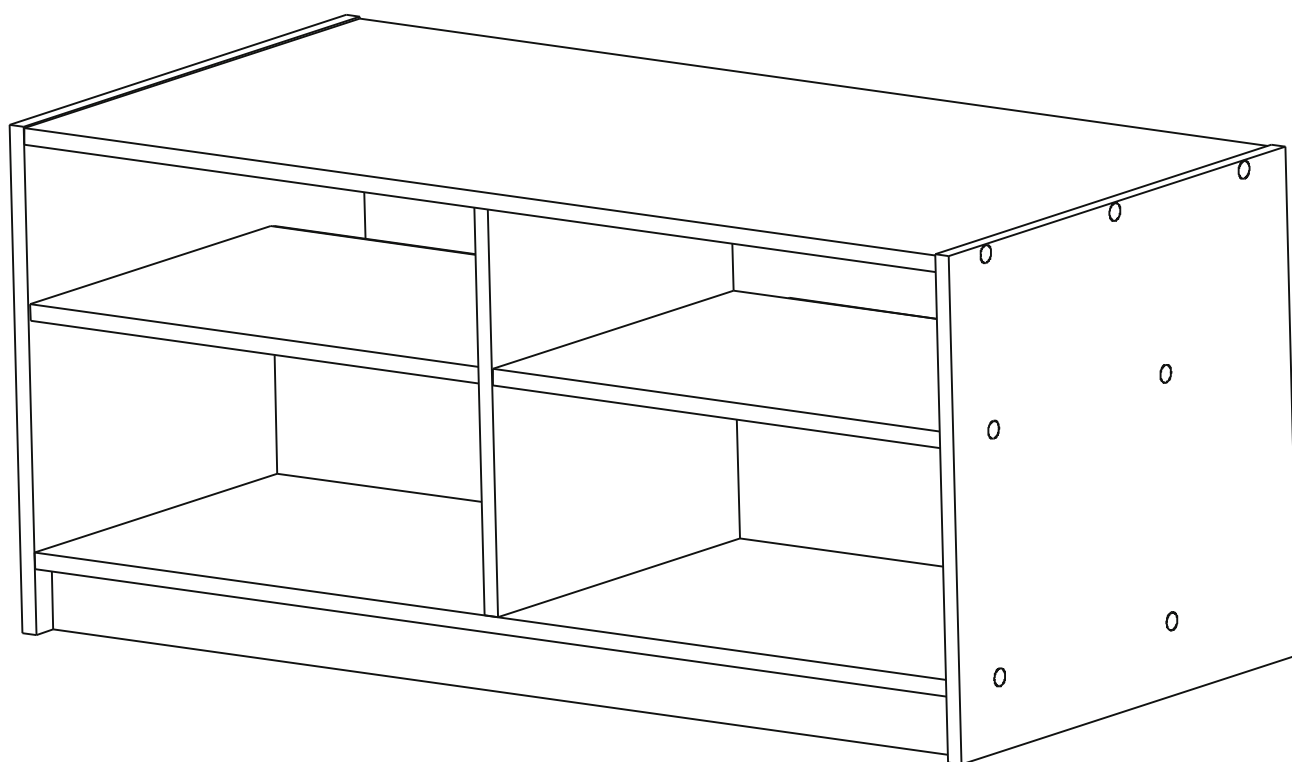
Assembly Instructions - Please keep for future reference

609/2263

609/2294

609/2287

609/2270



Dimensions

Width - 103 cm

Depth - 50 cm

Height - 46 cm

Important - Please read these instructions fully before starting assembly

If you need help or have damaged or missing parts, call the **Customer Helpline: 08456 400 800**

Date : 01/11/10



Safety and Care Advice

Important – Please read these instructions fully before starting assembly

- Check you have all the components and tools listed on pages 2 and 3.
- Remove all fittings from the plastic bags and separate them into their groups.
- Keep children and animals away from the work area, small parts could choke if swallowed.
- Make sure you have enough space to layout the parts before starting.

- Do not stand or put weight on the product, this could cause damage.
- Assemble the item as close to its final position (in the same room) as possible.
- Assemble on a soft level surface to avoid damaging the unit or your floor.
- Parts of the assembly will be easier with 2 people.



- We do not recommend the use of power drill/drivers **for inserting screws**, as this could damage the unit. Only use hand screwdrivers.
- Dispose of all packaging carefully and responsibly.

Care and maintenance

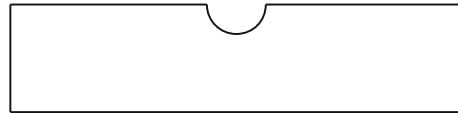
- Only clean using a damp cloth and mild detergent, do not use bleach or abrasive cleaners.
- From time to time check that there are no loose screws on this unit.
- This product should not be discarded with household waste. Take to your local authority waste disposal centre.

Note: if required the next page can be cut out and used as reference throughout the assembly. Keep this page with these instructions for future reference.

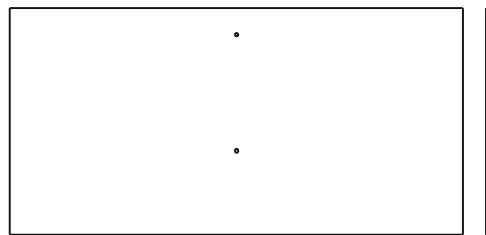
Components - Panels

If you have damaged or missing components, call the **Customer Helpline: 08456 400 800**

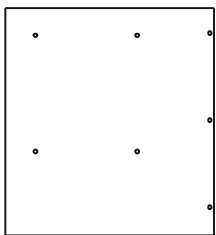
Please check you have all the panels listed below



7 Back (998x237mm)



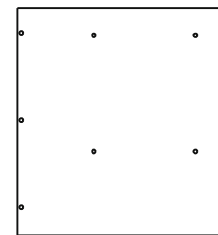
2 Top (999x499mm)



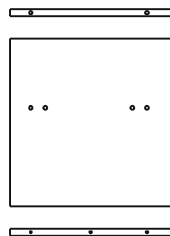
1 Side (460x500mm)



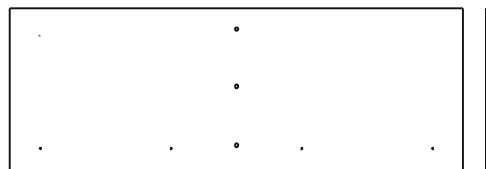
4 Shelf x2 (492x358mm)



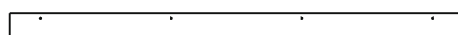
1 Side (460x500mm)



5 Central Panel (369x359mm)



3 Bottom (999x360mm)



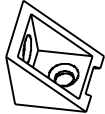
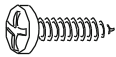


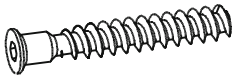

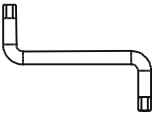
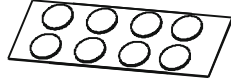
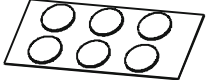
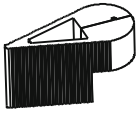
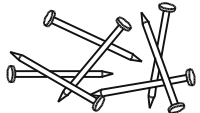
6 Front (999x59mm)



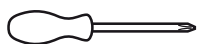
Components - Fittings

Please check you have all the fittings listed below

Note: The quantities below are the correct amount to complete the assembly. In some cases more fittings may be supplied than are required.

<p>A</p>  <p>Plastic Support x 4</p>	<p>B</p>   <p>13mm Screw x 8</p>	<p>C</p>  <p>Dowel x 7</p>
<p>D</p>   <p>50mm Screw x 16</p>	<p>E</p>  <p>Allen Key x 1</p>	<p>F</p>  <p>8 Covering Sticker x 1 (Ø16mm)</p>
<p>G</p>  <p>6 Covering Sticker x 1 (Ø16mm)</p>	<p>H</p>  <p>Nail Guide x 1</p>	<p>I</p>  <p>Nail x 30</p>

Tools required



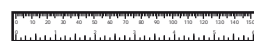
Phillips screwdriver



Small hammer

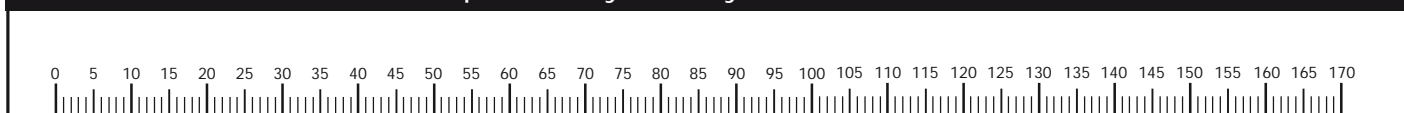


Eye protection
(when using a hammer or glue)



Ruler/tape measure

Ruler - Use this ruler to help correctly identify the screws



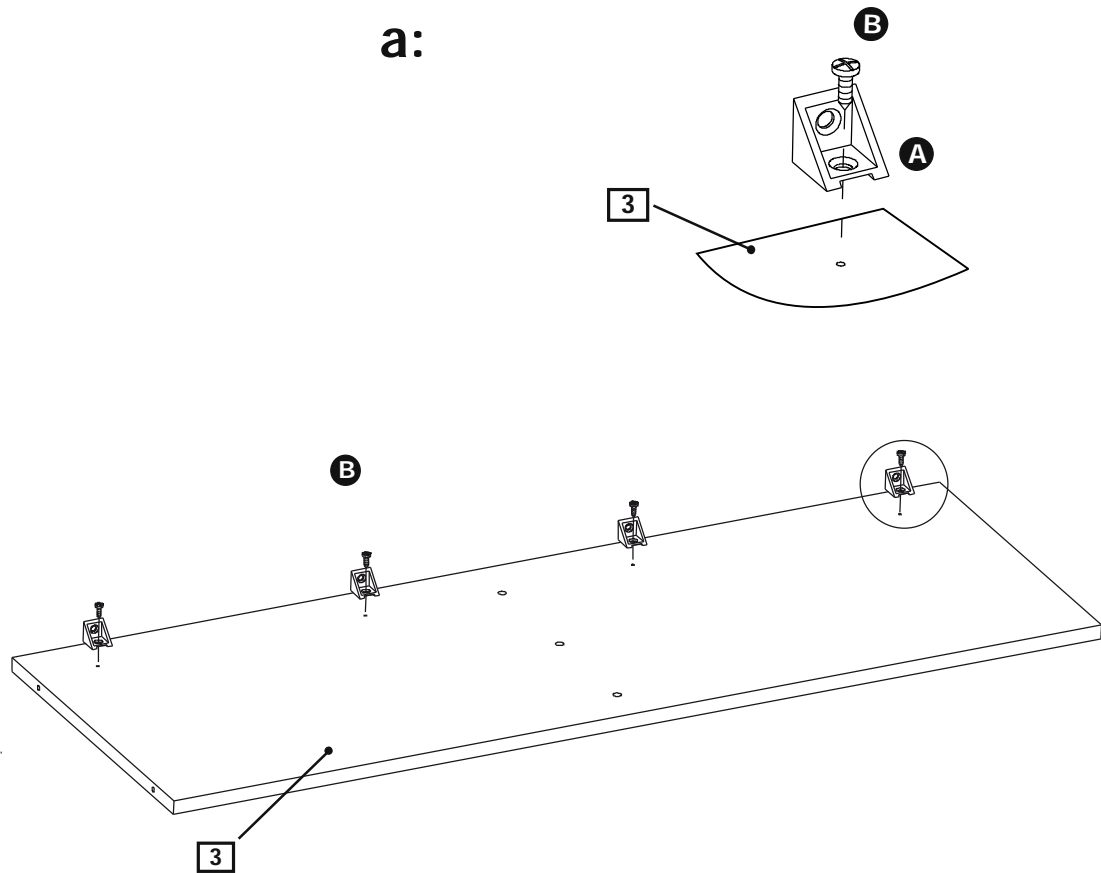
Assembly Instructions

Step 1

Attaching bottom panel

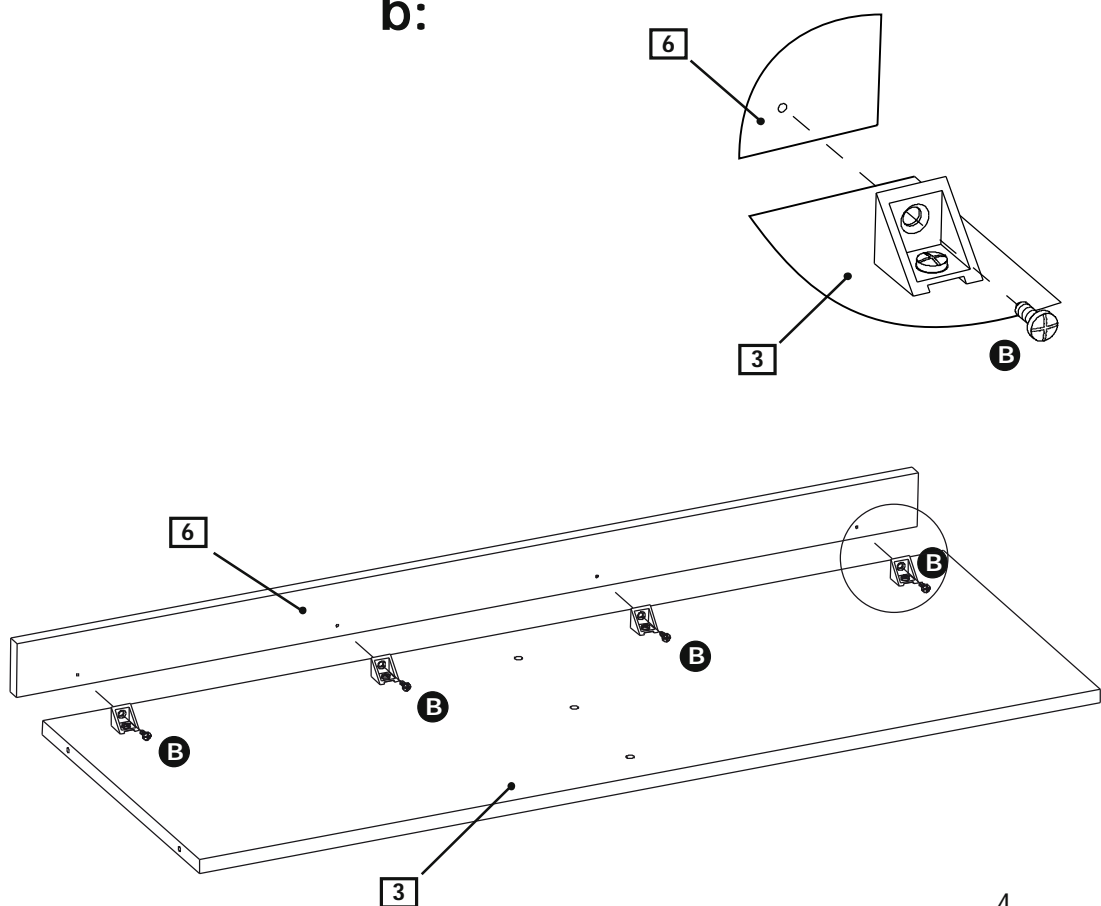
a: Use Screws **B** to fix Plastic Support **A** onto the Bottom Panel **3**.

a:



b: Use Screws **B** to connect the Front Panel **6** onto the Bottom Panel **3**.

b:

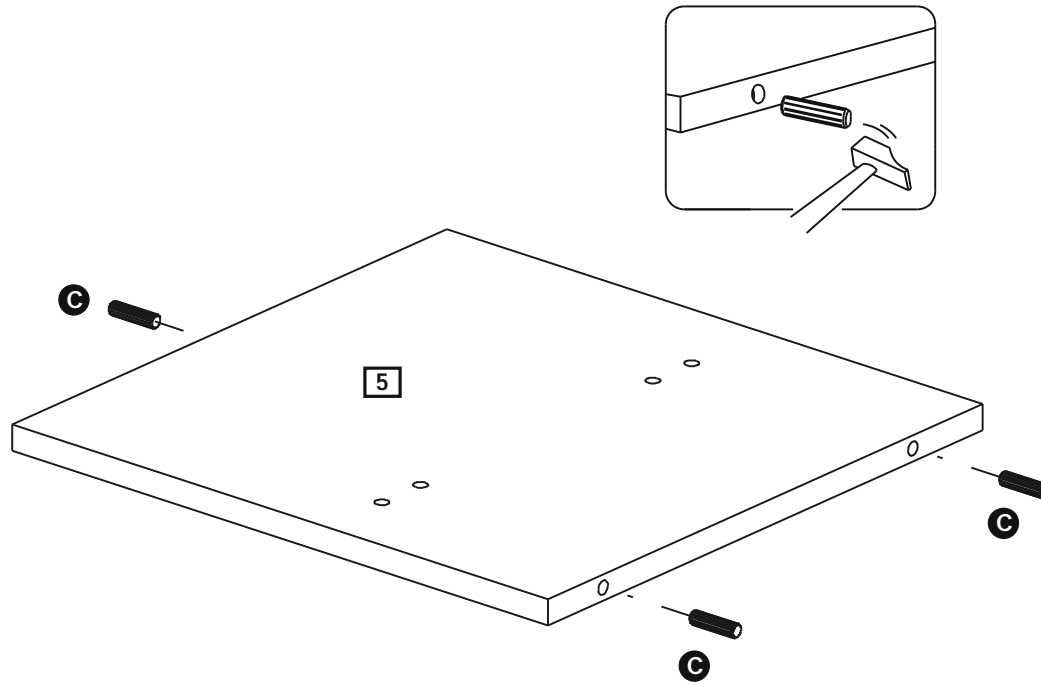


Assembly Instructions

Step 2

Fitting Dowels

Insert Dowels **C** into the Central Panel **5**.
(only one side)

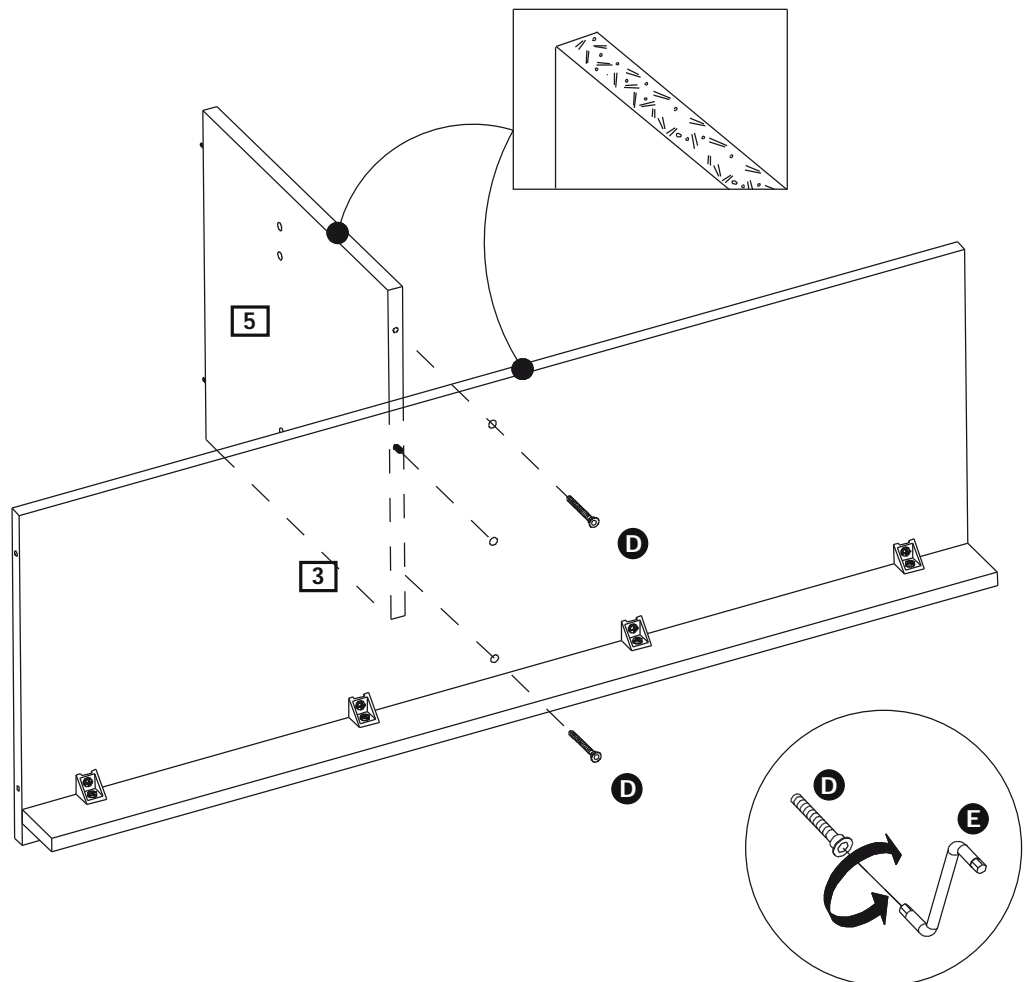


Step 3

Attaching Bottom panel

a: Use Screws **D** to fix the Central Panel **5** onto the Bottom Panel **3**.

Note: Use Allen Key **E** to fix Screws **D**.



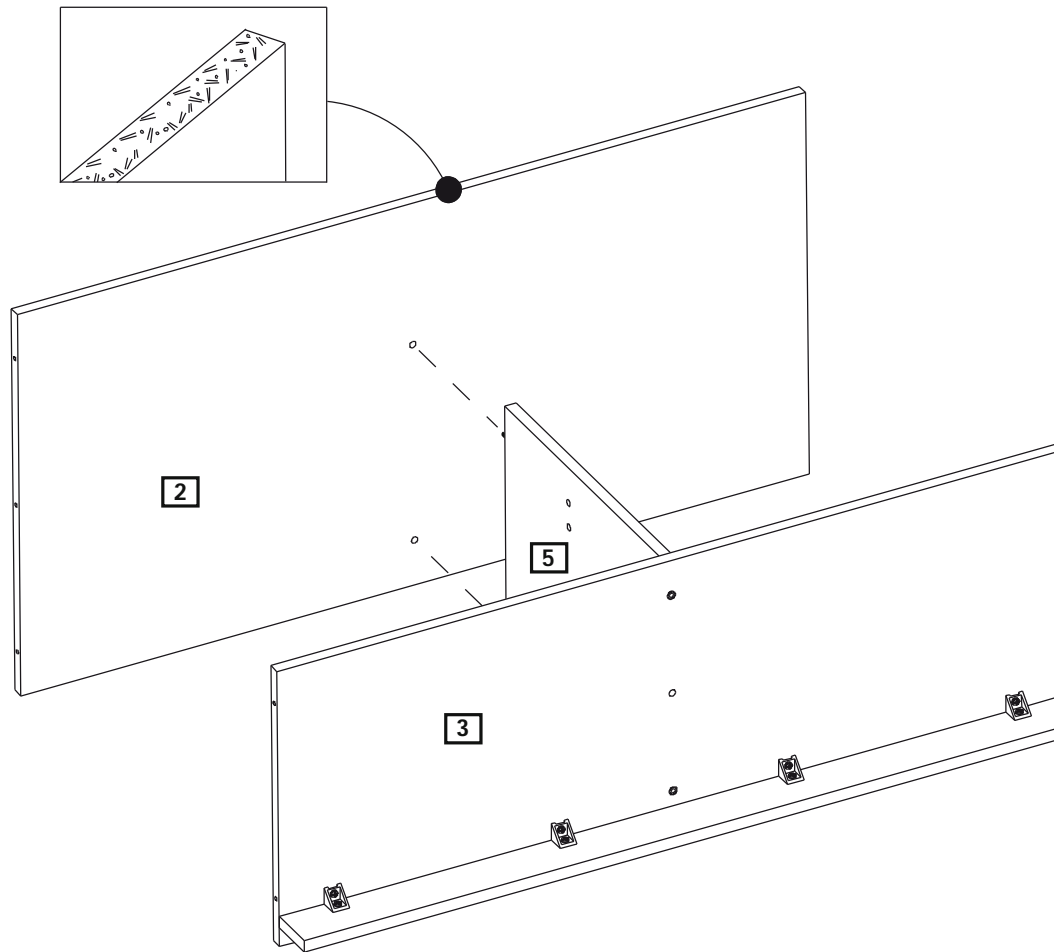
Assembly Instructions

Step 4

Attaching Top Panel

Carefully place the Top Panel **2** onto the Central Panel **5**.

Two persons assembly is required.

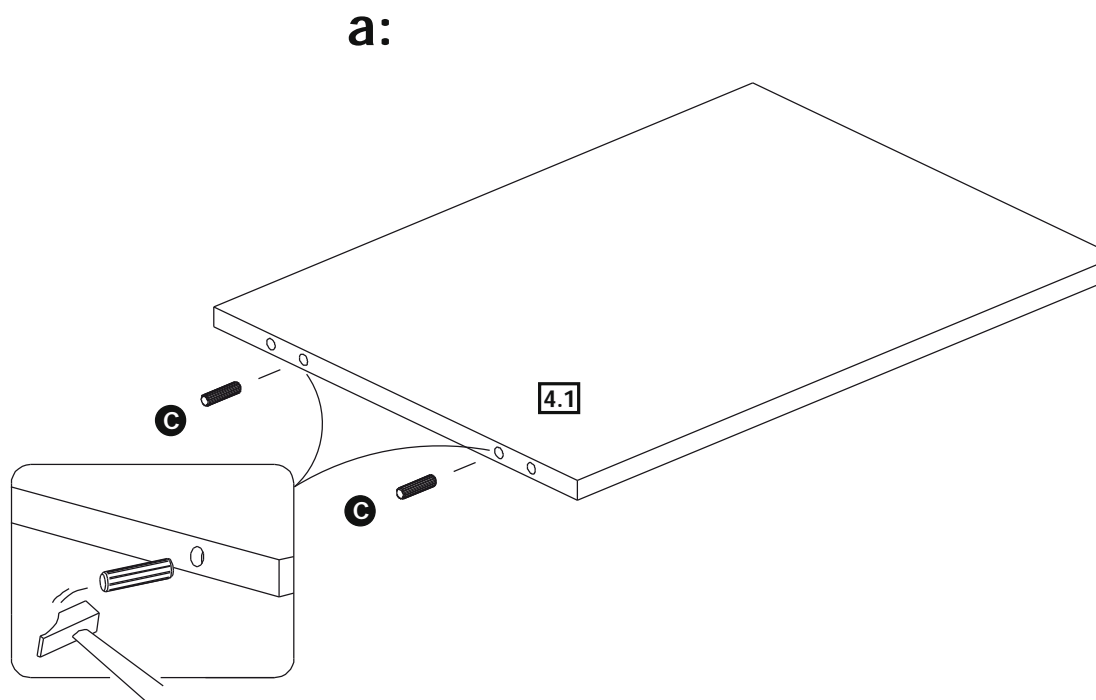


Step 5

Fitting Dowels

Insert Dowels **C** into the Shelf **4.1**.

(only one side)



Assembly Instructions

Step 6

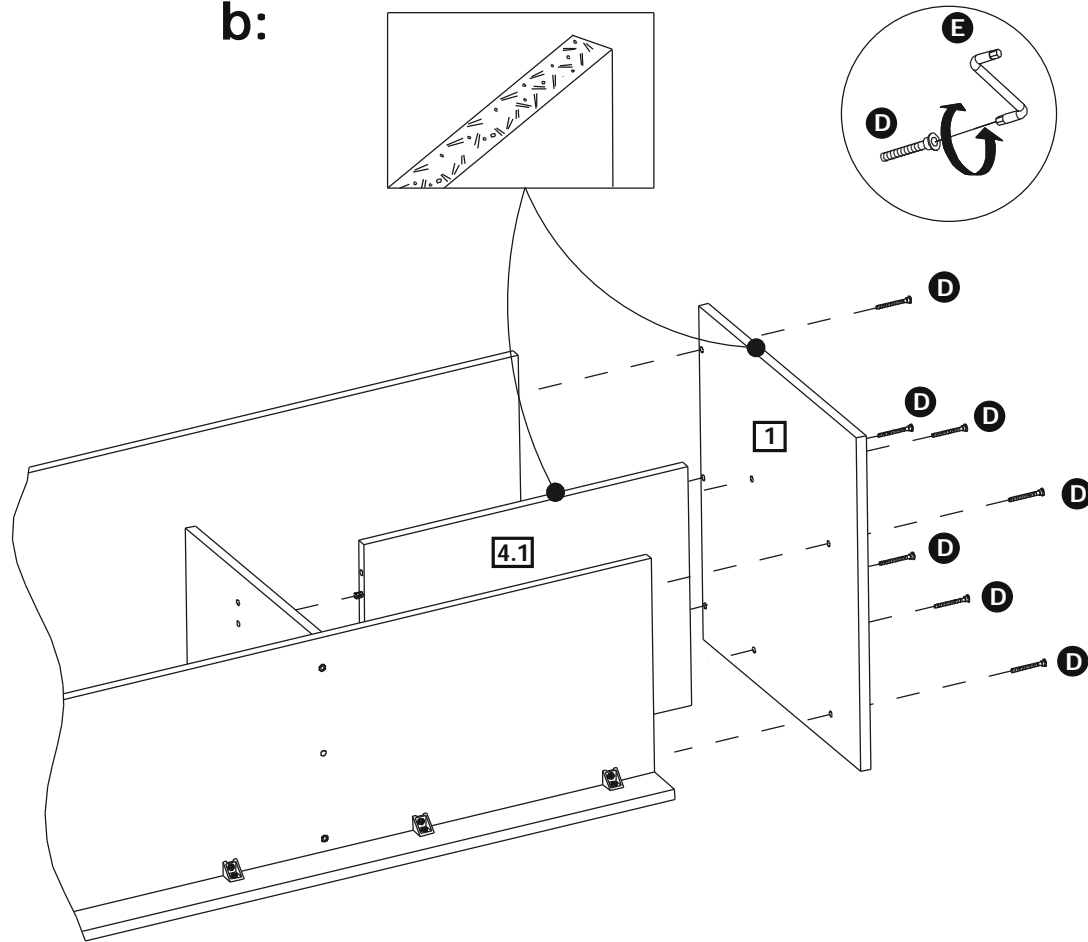
Attaching Right Side Panel and Shelf

Use Screws **D** to fix the Left Side Panel **1** and Shelf **4.1** onto the unit.

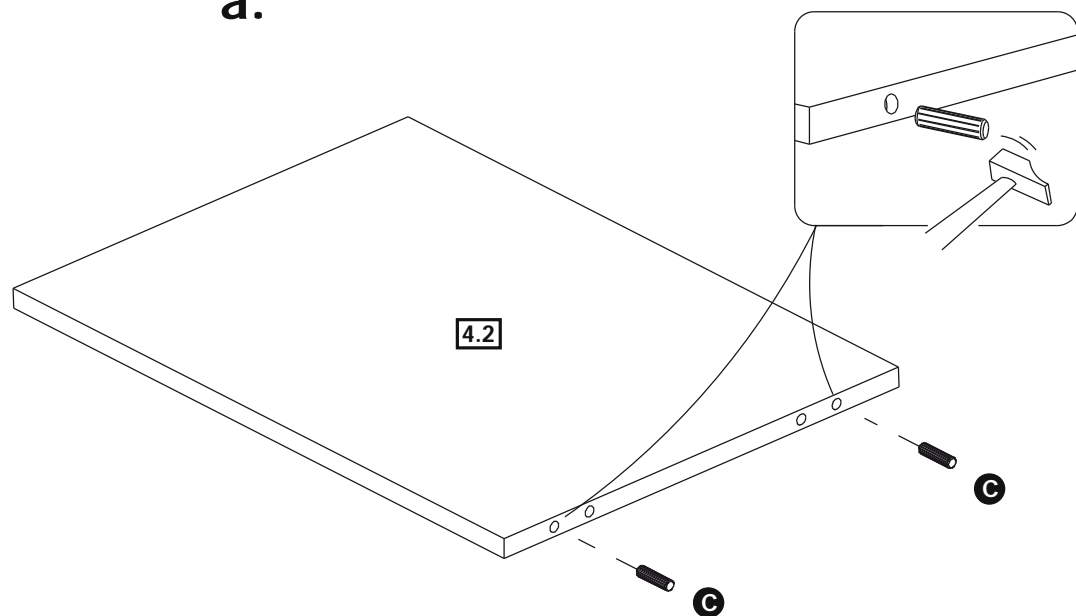
Two persons assembly is required.

Note: Use Allen Key **E** to fix Screws **D**.

b:



a:



Step 7

Fitting Dowels

Insert Dowels **C** into the Shelf **4.2**.

(only one side)

Assembly Instructions

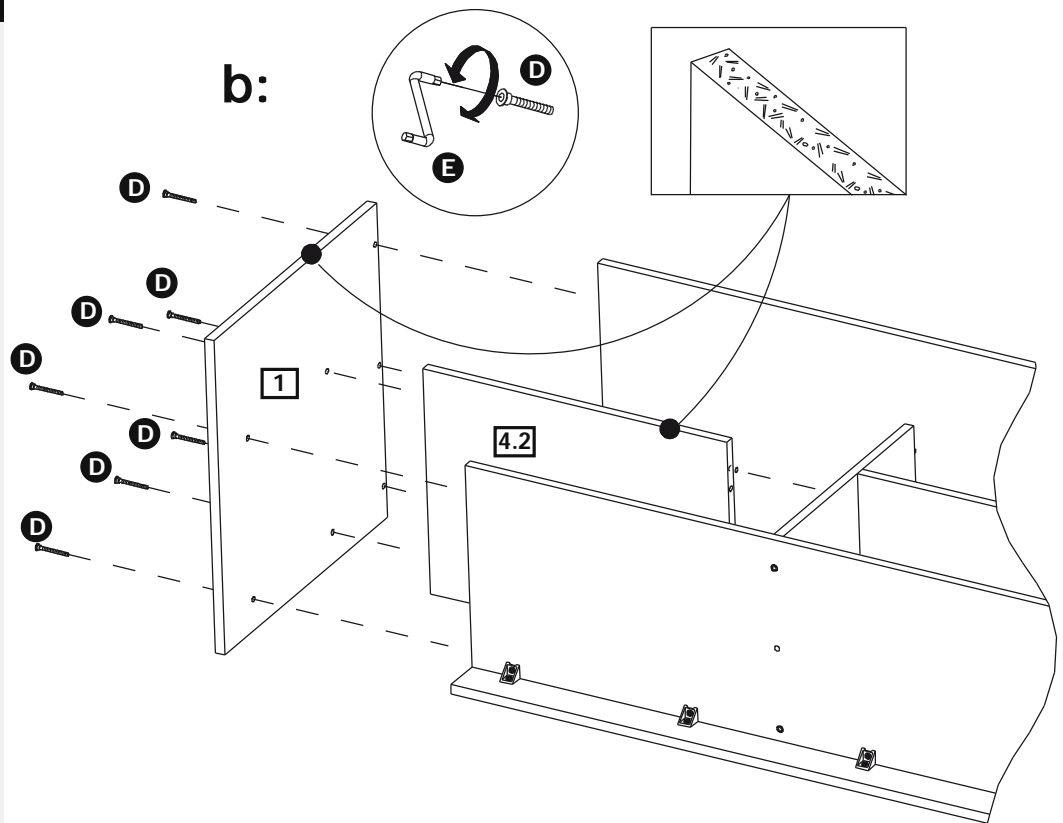
Step 8

Attaching Right Side Panel and Shelf

Use Screws **D** to fix the Right Side Panel **1** and Shelf **4.2** onto the unit.

Two persons assembly is required.

Note: Use Allen Key **E** to fix Screws **D**.

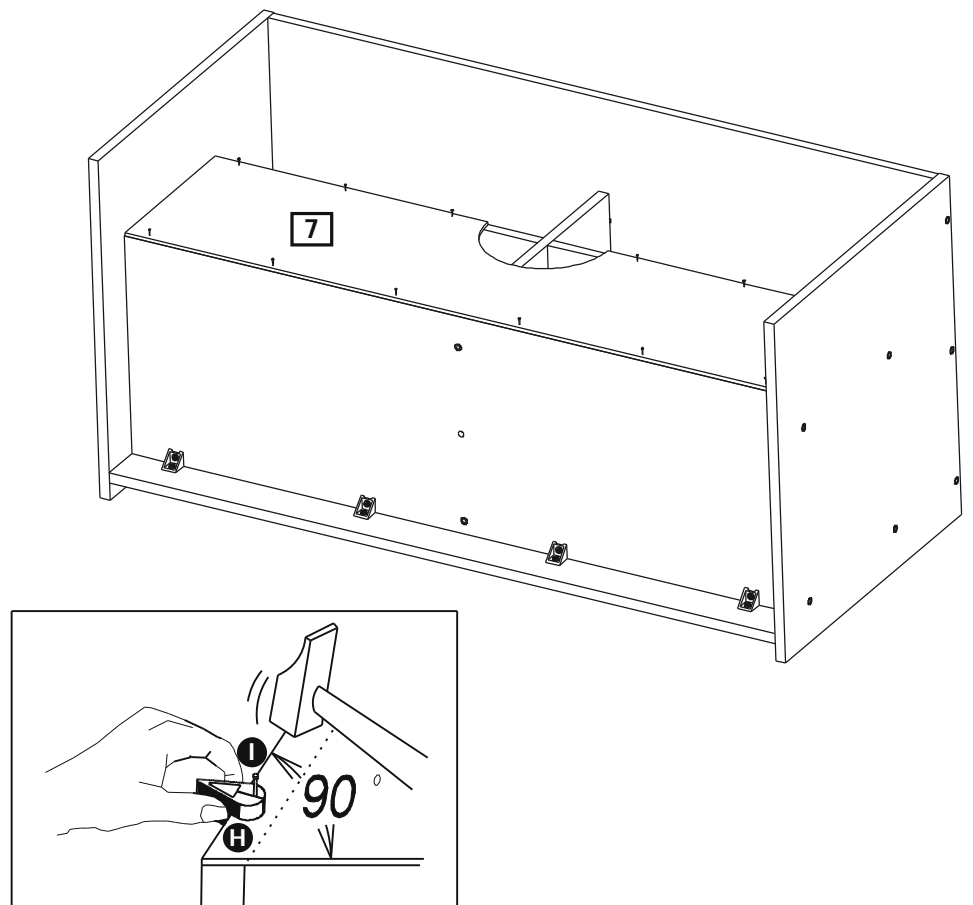


Step 9

Fixing back panel

Use Nails **I** to fix the Back Panel **7** onto the unit.

Note: Use Nail Guide **H** to keep a constant distance from the edge.



Assembly Instructions

Step 10

Covering Sticker

Use the Covering Stickers **G** and **F** to cover the Screw Heads.

