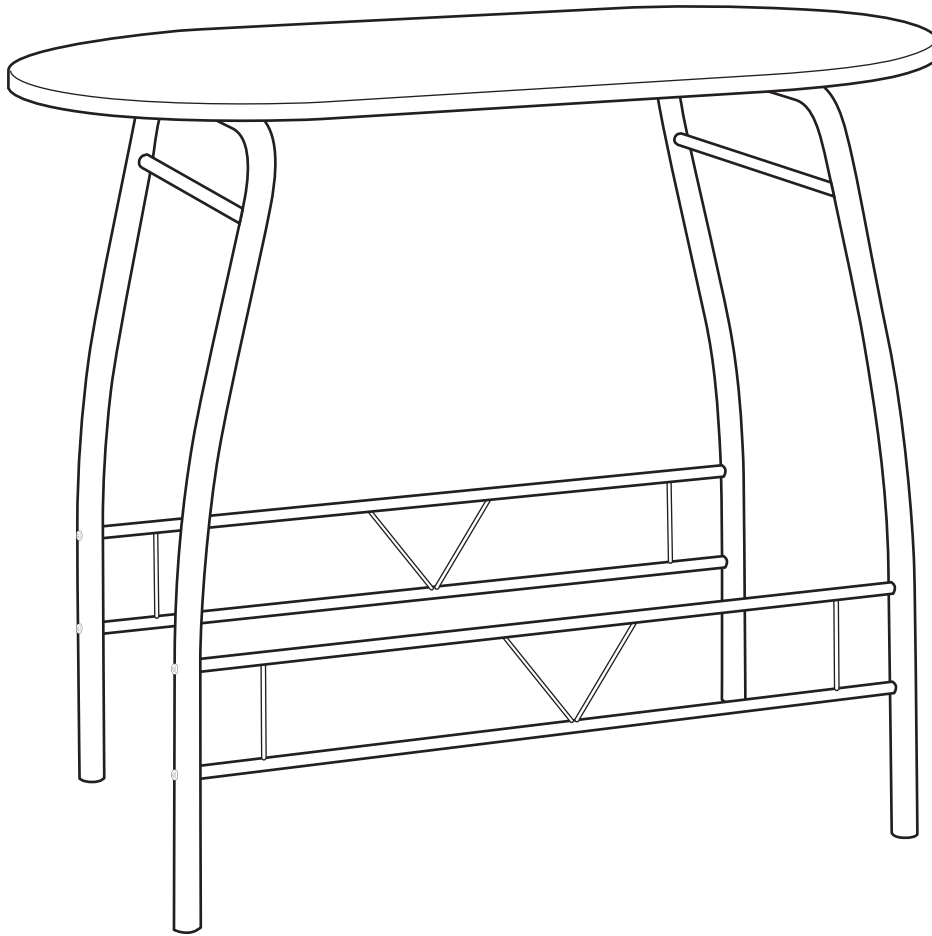


# Dining Table

Assembly Instructions - Please keep for future reference

600/6479

600/6486



## Dimensions

Width - 90cm  
Depth - 50cm  
Height - 75cm

**Important** - Please read these instructions fully before starting assembly

If you need help or have damaged or missing parts, call the **Customer Helpline: 08456 400800**



# Safety and Care Advice

## Important - Please read these instructions fully before starting assembly

- Do not discard any of the packaging until you have checked that you have all the parts and the pack of fittings.
- Discard all extra fittings and keep fittings out of reach of children.
- Assemble this product on a flat surface.

- Assemble all parts loosely before tightening any bolts.
- Unit weight: 7kgs.
- At least 2 people are required to assemble this product.
- Retain Assembly Instructions for future reference.



- We do not recommend the use of power drill/drivers **for inserting screws**, as this could damage the unit. Only use hand screwdrivers.
- Dispose of all packaging carefully and responsibly.

## Warnings

- This product should only be used on firm, level ground.
- Make sure the legs remain in contact with the ground.
- Do not stand on the product.

## Care and maintenance

- Please clean the table surface using either damp (not wet) cloth and a mild domestic soap solution or by using an appropriate polish.
- Do not use any abrasive materials when cleaning.
- From time to time check that there are no loose bolts on this unit.

# Components - Parts

If you have damaged or missing components, call the **Customer Helpline: 08456 400800**

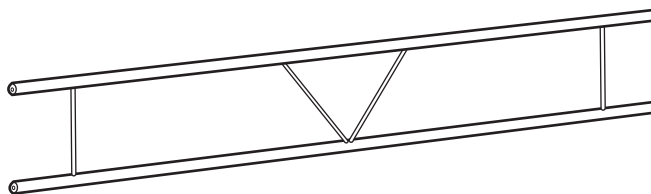
Please check you have all the parts listed below



**1** Table top  
(90 x 50 x 1.5cm)



**2** Leg frame x 2  
( $\text{\O}2.5$  x 50 x 74cm)

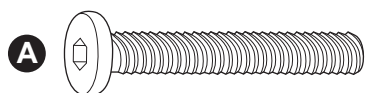


**3** Side rail x 2  
( $\text{\O}1.3/0.5$  x 75 x 11.5cm)

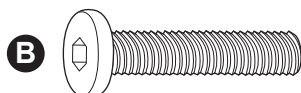
# Components - Fittings

Please check you have all the fittings listed below

**Note:** The quantities below are the correct amount to complete the assembly. In some cases more fittings may be supplied than are required.



**A** M6 x 40mm Bolt x 8

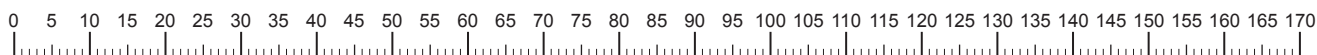


**B** M6 x 32mm Bolt x 4



**C** Allen key x 1

**Ruler** - Use this ruler to help correctly identify the screws



# Assembly Instructions

## Step 1

### Attaching leg frames

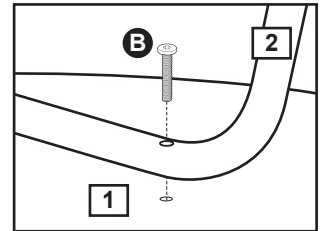
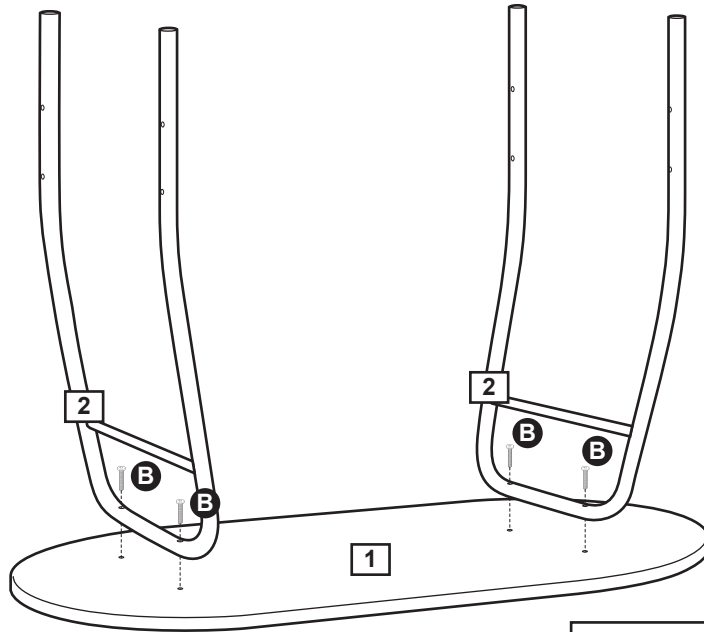
Place the top panel **1** on a flat protected surface.

Position the leg frames **2** on the top panel **1** as shown. Align the holes and fix using bolts **B**. Tighten bolts using allen key **C**.



#### **Important:**

Two persons are required to hold on the frames to assist the assembly.



## Step 2

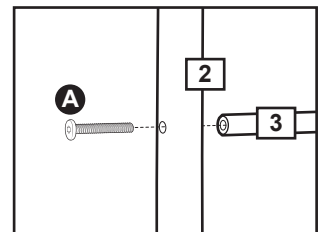
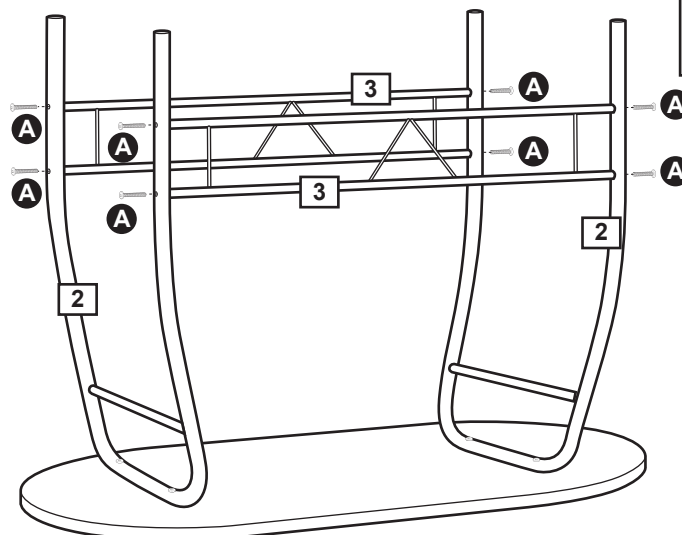
### Attaching side rails

Position the side rails **3** into the leg frames **2** as shown. Align the holes and fix together using bolts **A**. Tighten bolts using allen key **C**.



#### **Important:**

Carefully turn over the table. At least two people are required to lift the table.



**Assembly is complete.**



If you need help or have damaged or missing parts, call the **Customer Helpline: 08456 400800**