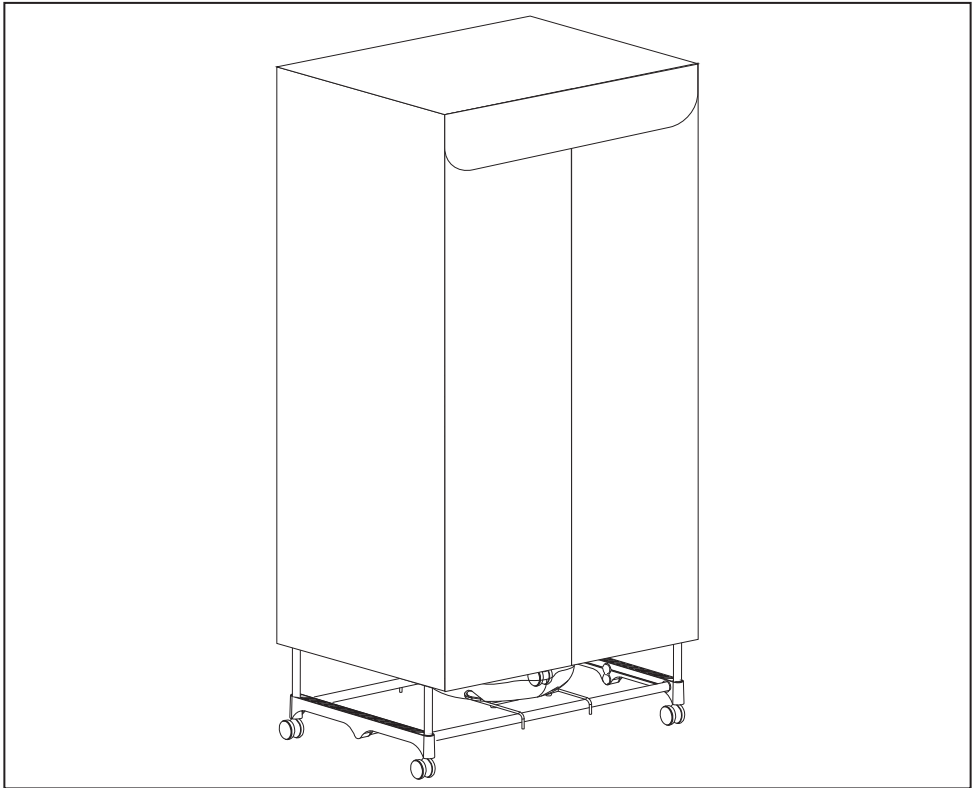




# DriBUDDi<sup>ELITE</sup>

Electric Clothes Dryer



# Instructions

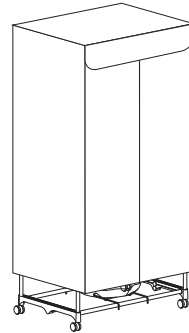




# DriBUDDI<sup>ELITE</sup>

Electric Clothes Dryer

Thank you for purchasing DriBUDDI Elite from JML. To get the best performance from this warm air clothes dryer, please read these instructions in full and retain for future reference.



## Contents

---

Safety Warnings & Advice .....	3
Your DriBUDDI Elite.....	4
Assembling DriBUDDI Elite.....	5
Using DriBUDDI Elite.....	9
Recommendations .....	10
Technical Information .....	10
Fuse & mains plug replacement .....	10
Disposal & the environment.....	10
Cleaning & Maintenance .....	11
Guarantee .....	11





## Safety Warnings & Advice

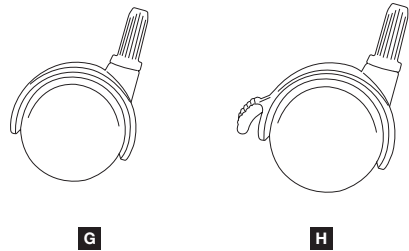
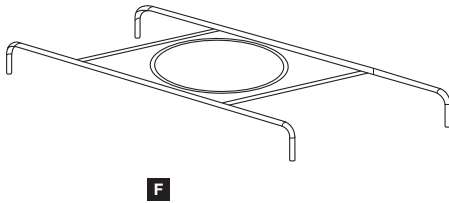
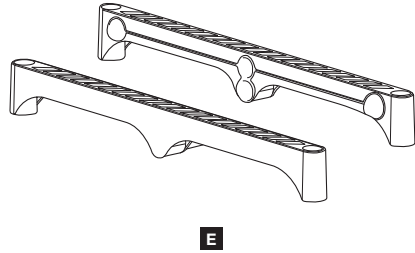
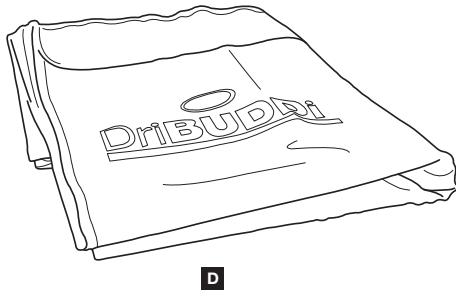
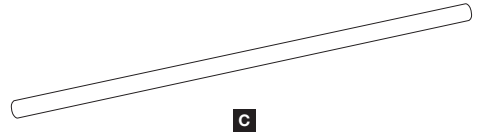
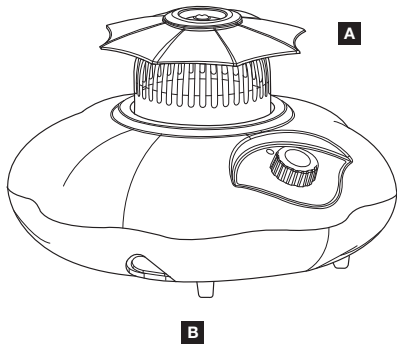
---

- **DO NOT** use DriBUDDI for any purpose other than those described in this manual.
- For indoor household use only.
- This appliance is not intended for use by anyone with reduced physical, sensory or mental capabilities, or a lack of experience and knowledge, unless they have been given supervision or instruction concerning the use of this appliance by a person responsible for their safety.
- **DO NOT** overload your DriBUDDI. Its maximum capacity is 15kg of damp clothing.
- Keep your DriBUDDI at least 1.5m away from any water or fire source.
- This appliance is only intended for drying fabrics washed in water.
- Keep children away from DriBUDDI whilst in use. **DO NOT** allow them to play with DriBUDDI or near it when it is in use.
- Unplug the cord after use, before assembly or disassembly, and before cleaning.
- Periodically check the power cord and plug for any damage. If it is damaged, **DO NOT** use.
- If the power cord and plug is damaged, it must be exclusively replaced by the manufacturer or a similarly qualified electrician in order to avoid a hazard.
- Keep the power cord away from hot surfaces and sharp edges.
- **DO NOT** open the Motor Unit or attempt to change or repair it. Unauthorised repairs will invalidate the warranty and could result in injury.
- The Motor Unit may become hot during use. **NEVER** touch any metal parts as they may cause burns to the skin.
- Ensure that the area around DriBUDDI is kept clear.
- Ensure that the holes on top of the cover are not covered during operation.
- Keep DriBUDDI away from water or other liquids to avoid electrical discharge. **DO NOT** plug in if it is resting on a wet surface.
- DriBUDDI should only be used in a well-ventilated area. If ventilation is lacking, it can also be used near an open window. **DO NOT** push directly up against a wall; leave at least a gap of an inch so air can circulate around it.
- **DO NOT** leave DriBUDDI unattended when using the ON setting. **DO NOT** use this setting for more than a few hours at a time.





# Your DriBUDDI Elite



- A** Motor Unit Top
- B** Motor Unit
- C** 16 x Poles
- D** Cover

- E** 6 x Brackets
- F** Motor Unit Shelf
- G** 2 x Wheels
- H** 2 x Locking Wheels



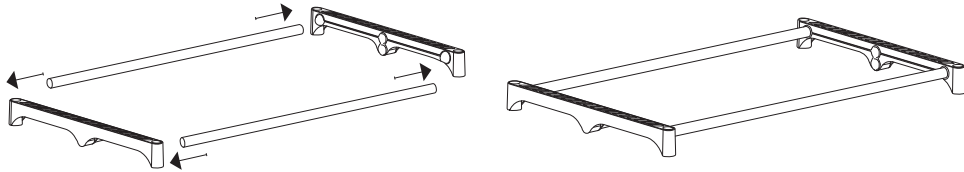


# Your DriBUDDI Elite

## Assembling DriBUDDI Elite

### Step 1

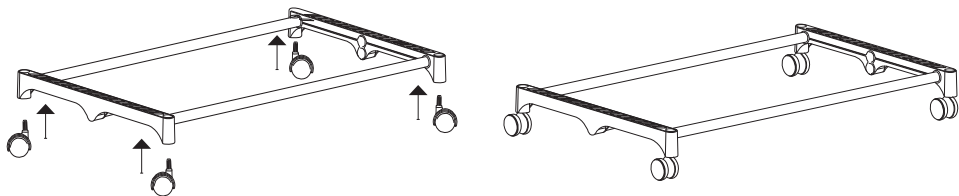
Take two Poles and two Brackets and join them together.



### Step 2

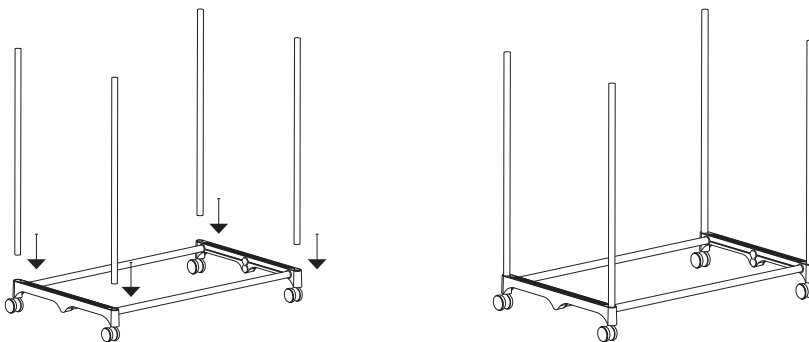
The curved edge of a Bracket should point downwards. Insert wheels into all four empty downward sockets.

**Note:** Two wheels have brake clamps. Place these where you will be able to easily access them when DriBUDDI is in use.



### Step 3

Take four Poles and push them firmly into the four upward sockets on the base.

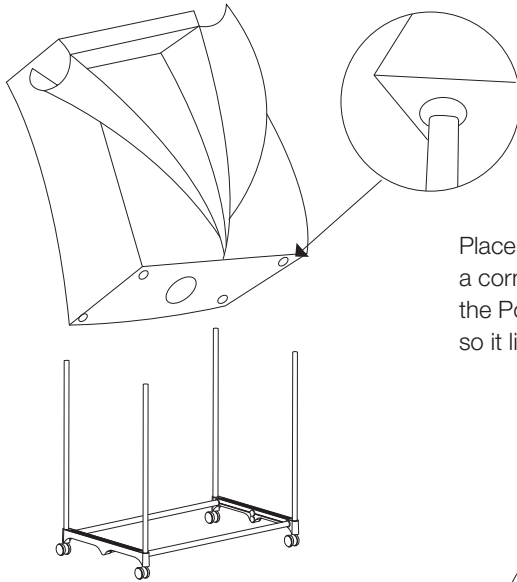




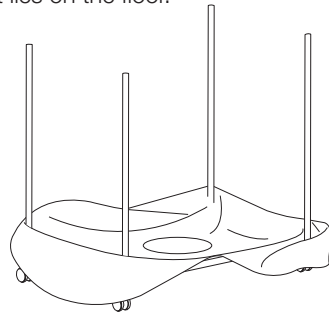
# Your DriBUDDI Elite

## Step 4

Unfold the Cover and unzip. Locate the four corner holes at the bottom of the Cover (these are different to the round air holes at the top).

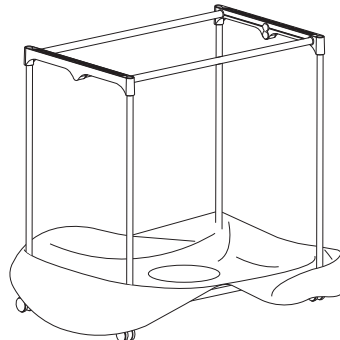
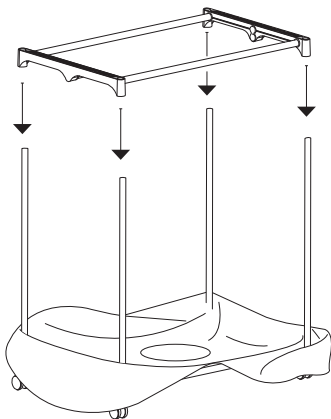


Place each of the Poles on the frame through a corner hole, then slide the cover down over the Poles. Push the Cover all the way down so it lies on the floor.



## Step 5

Take two more poles and two more brackets and join them together. Add them to the frame, with the curved ends pointing downwards.

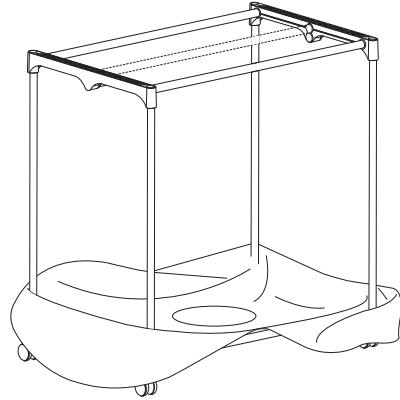




# Your DriBUDDI Elite

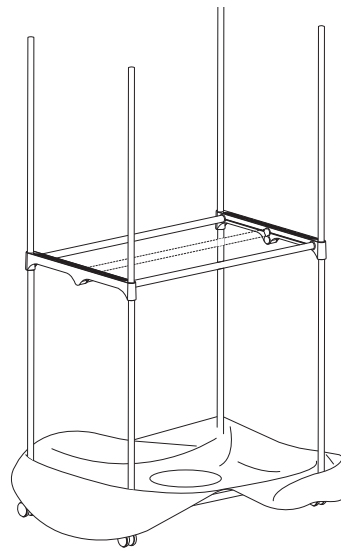
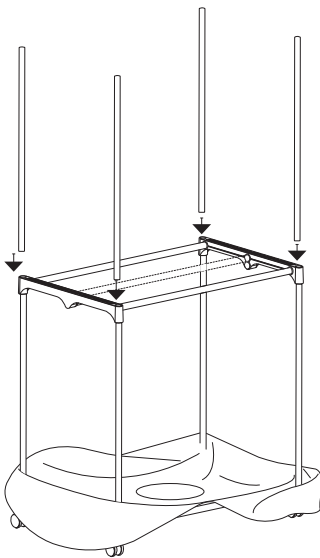
## Step 6

You can add a third Pole to the middle if you want to hang two rows of smaller items, like children's clothes or underwear.



## Step 7

Add four more Poles.

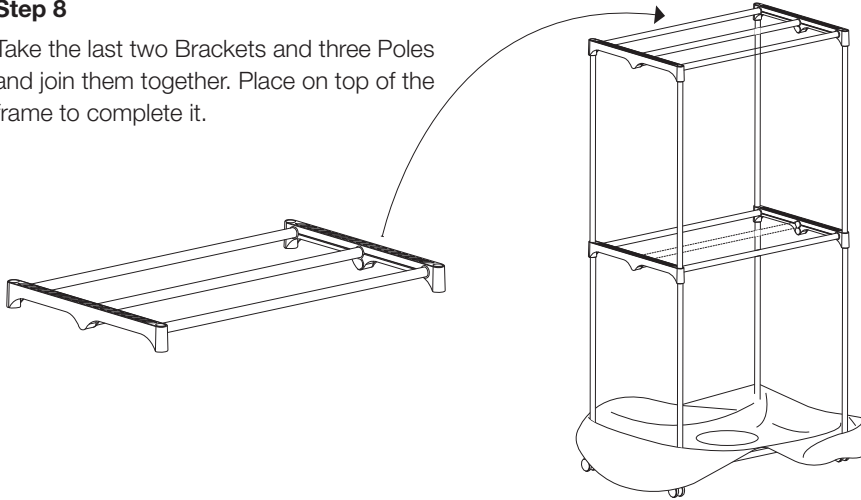




# Your DriBUDDI Elite

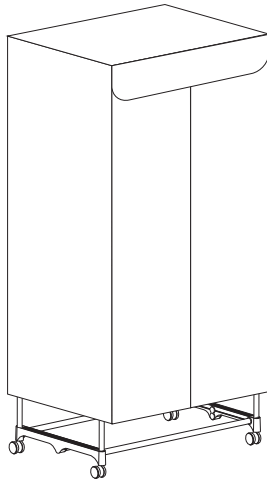
## Step 8

Take the last two Brackets and three Poles and join them together. Place on top of the frame to complete it.



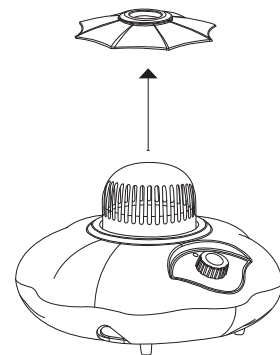
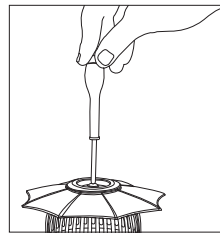
## Step 9

Pull the Cover up and over the frame.



## Step 10

Using a Philips-head screwdriver, remove the Motor Unit Top from the Motor Unit.





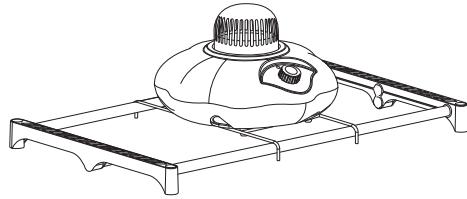


# Your DriBUDDI Elite

---

## Step 11

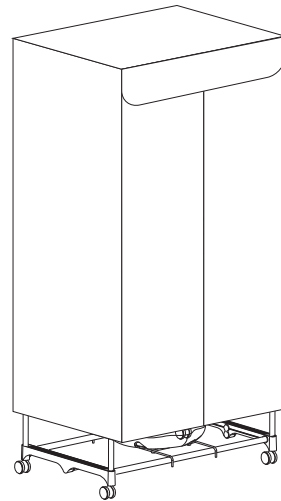
Place the Motor Unit Shelf across the bottom bars of DriBUDDI, placing it roughly in the middle under the Cover. Place the Motor Unit on the Shelf.



## Step 12

Open the Cover and put the black ring at the bottom of Cover over the metal grill on the Motor Unit. Move the Motor Unit if necessary so the ring fits easily over it.

Re-attach the Motor Unit Top using a screwdriver.



# Using DriBUDDI Elite

---

1. Plug DriBUDDI into a mains socket and switch on. A light should appear on the Motor Unit, just above the dial. This signifies that DriBUDDI is on.
2. Unzip the Cover and hang your clothes inside DriBUDDI. DriBUDDI Elite can hold up to 15kg of damp clothing. Plastic hangers are recommended.
3. Close the zips.
4. You can use DriBUDDI in two different ways:

**Set the Timer:** Turn the dial clockwise to set the timer. When the time is up, DriBUDDI will turn off.

**Set to ON:** Turn the dial anti-clockwise to turn DriBUDDI on. It will remain on until you turn it off.



# Recommendations

**Please Note:** DriBUDDI should only be used in a well-ventilated area. If ventilation is lacking, it can also be used near an open window. **DO NOT** push directly up against a wall; leave at least a gap of an inch so air can circulate.

- DriBUDDI is not recommended for clothes that are soaking/dripping wet. Clothes should be ideally spin-dried by a washing machine or well-wrung if hand washed.
- **DO NOT** hang clothes too close together. They will dry quicker if air is allowed to circulate between them.

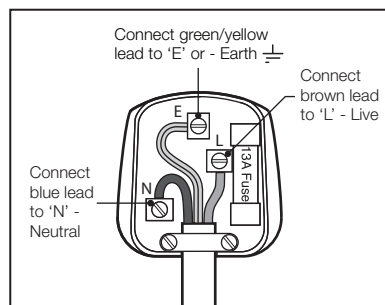
# Technical Information

Technical Information			
Model Number	Rated voltage	Rated frequency	Rated power
T-F90	220-230V	50/60Hz	1200W

## Fuse and Mains Plug Replacement (UK & Ireland only)

This appliance is fitted with a BS 1363 13-amp plug. If you have to replace the fuse, only use those that are ASTA or BSI approved to BS 1362 and with a rated current of 13 amps.

Should you need to replace the plug; the wires in the power cord are coloured in the following way:



Blue – Neutral    Brown – Live    Green & Yellow – Earth

As the colours of the wires in the power cord may not correspond with the coloured markings identifying the terminals in your plug, and proceed as follows:

## Disposal and the Environment



This product is covered by the waste electrical and electronic equipment (WEEE) regulations. It should not be discarded with normal household waste, but taken to your local collection centre for recycling. For further information, please contact the local authority or approved disposal agency.



# Cleaning and Maintenance

---

Clean only with a damp cloth. **DO NOT** rinse with water in any way.

# Guarantee

---

This product is unconditionally guaranteed for one year against all defects of workmanship and materials. This guarantee does not affect your statutory rights. If you have any problems or queries about this product please contact JML.

**UK Customer Services: 0800 781 7831 (Freephone)**

**ROI Customer Services: 041-978 0003 (Local rate)**





**Product code:** V04079 10/13

**Distributed by JML**

JML Unit 1 Eastside, Port of Tyne

South Shields, NE33 5SP

UK Customer Services: 0800 781 7831 (Freephone)

ROI Customer Services: 041-978 0003 (Local rate)

E-mail: [info@JMLgroup.co.uk](mailto:info@JMLgroup.co.uk)

