

# HYGENA RELAX CHAIR

Assembly Instructions - Please keep for future reference

496/5110  
457/0598  
487/5815

**hygena**



## Dimensions

Width - 88cm

Depth - 93cm

Height - 102cm

**Important – Please read these instructions fully before starting assembly**

If you need help or have damaged or missing parts, call the **Customer Helpline:** 0345 640 0800  
0345 601 2895



## Safety and Care Advice

### Important – Please read these instructions fully before starting assembly

- Check you have all the components and tools listed on page 2.
- Remove all fittings from the plastic bags and separate them into their groups.
- Keep children and animals away from the work area, small parts could choke if swallowed.
- Make sure you have enough space to layout the parts before starting.

- Do not stand or put weight on the product during assembly, this could cause damage.
- Assemble the item as close to its final position (in the same room) as possible.
- Assemble on a soft level surface to avoid damaging the unit or your floor.
- Parts of the assembly will be easier with 2 people.



- We do not recommend the use of power drill/drivers **for inserting screws**, as this could damage the unit. Only use hand screwdrivers.
- Dispose of all packaging carefully and responsibly.

### Care and maintenance

- From time to time check that there are no loose screws on this unit.
- To avoid any risk of suffocation to animals or children dispose of the plastic bags immediately .
- As with all surfaces clean with a damp cloth and mild detergent, do not use bleach or abrasive products.
- This product should not be discarded with household waste. Take to your local authority waste disposal centre.

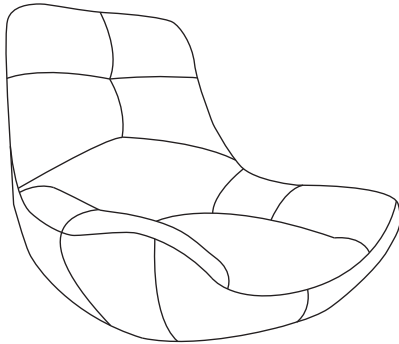
### Safety during use

- Do not stand on this chair. Do not use this chair as a step ladder .
- Use this product only for seating one person at a time.
- Do not use this chair unless all bolts,screws and knobs are firmly secured.
- At least every 4 months, check all bolts, screws and knobs , to be sure they are tight .
- If parts are missing, broken or damaged or worn, stop use of this product until repairs are made & using factory authorized parts .
- Failure to follow these warnings could result in serious injury.

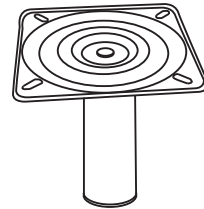
**Note:** if required the next page can be cut out and used as reference throughout the assembly. Keep this page with these instructions for future reference.

# Components - Parts

Please check you have all the parts listed below



(1)SeatX1



(2)Metal plateX1



(3)baseX1

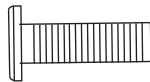
# Components - Fittings

If you have damaged or missing components, call the **Customer Helpline:** 0345 640 0800  
0345 601 2895

Please check you have all the fittings listed below.

**Note:** The quantities below are the correct amount to complete the assembly  
In some cases more fittings may be supplied than are required.

(4)ScrewX4



(5)WasherX4

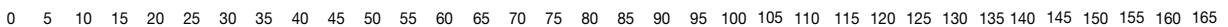


Tools required

(6)SpannerX1



Ruler - Use this ruler to help correctly identify the screws



# Assembly Instructions

## Step 1

Remove and unpack the parts (2), rotate the metal plate. See Fig 1.

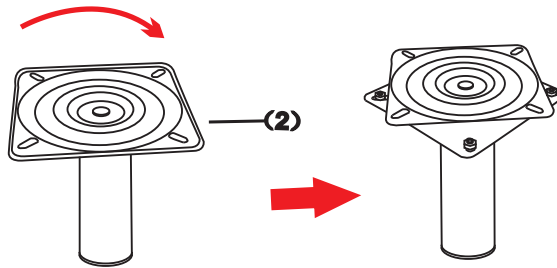


Fig 1.

## Step 2

Remove and unpack the fittings and tools use screw(4), washer (5) to fix the metal plate (2)

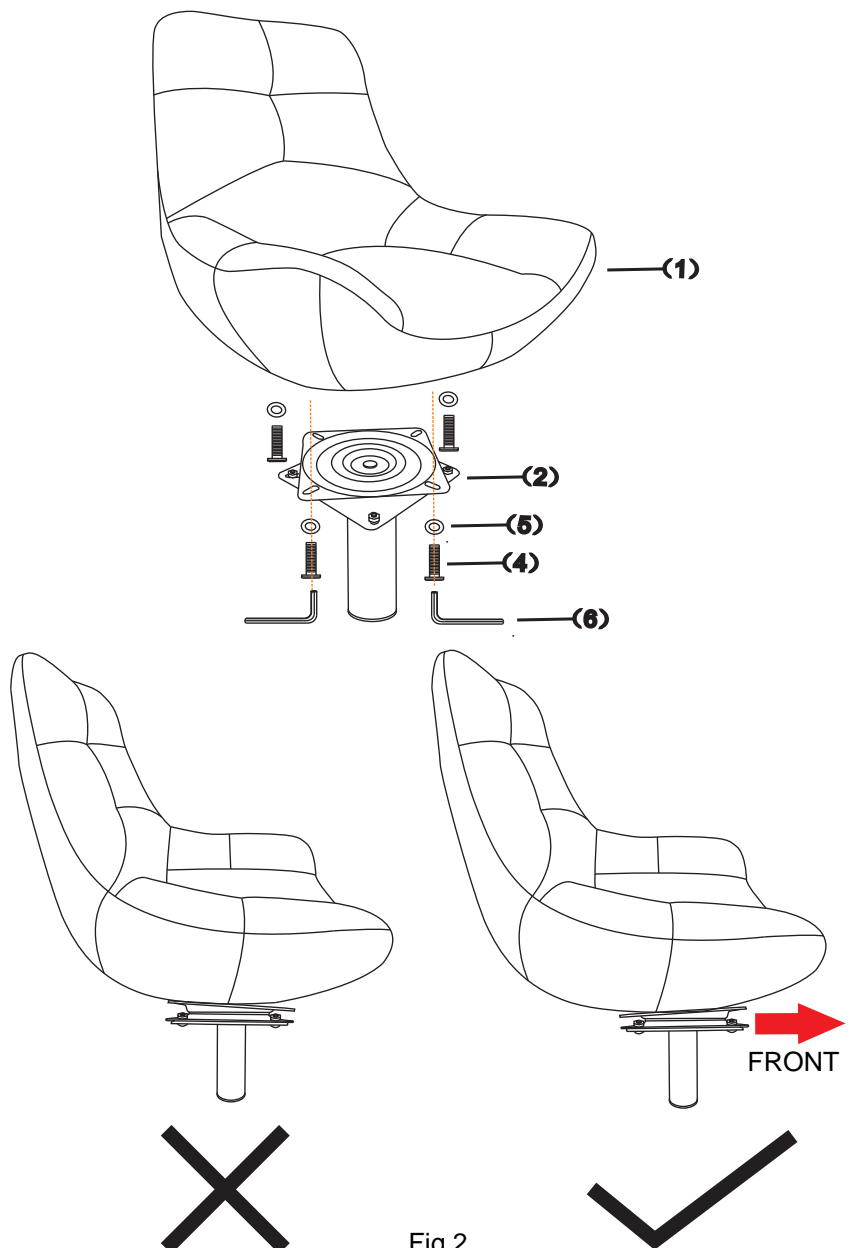


Fig 2.

please note front arrow in the plate. See Fig 2.

# Assembly Instructions

## Step 3

Insert Metal Plate (2) into the base (3).  
See Fig 3.

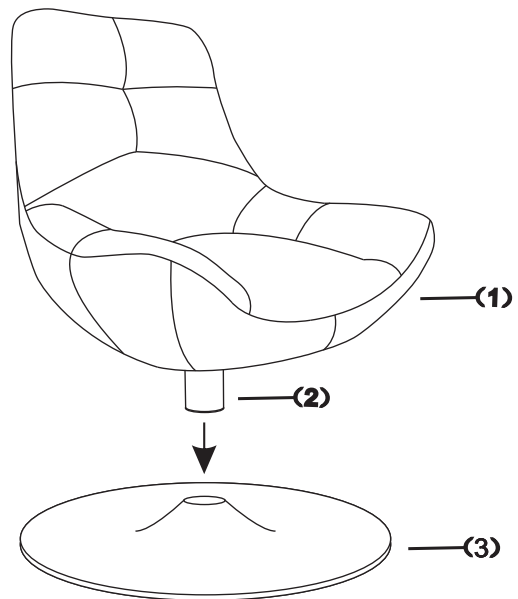


Fig 3.

## Step 4

### Fitting the seat support

Carefully place the unit in the desired location.

**Assembly is completed.**

See Fig 4.



Fig 4.

NOTE:if you have damaged or missing components,call the Customer Helpline:03456 400800/ 0345 601 2895  
Argos Limited Group,489-499 Avebury Boulevard,Central Milton keynes,MK9 2NW