

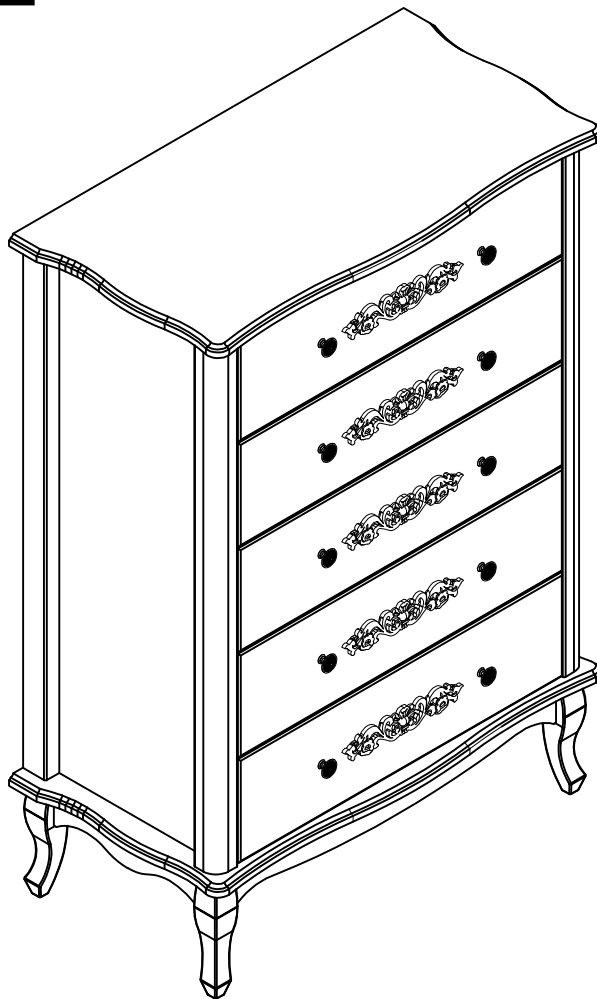
# Sophia 5 Drawer Chest

Assembly Instructions - Please keep for future reference

496/6834

459/4127

483/9019



## Dimensions

Width - 80cm  
Depth - 41.5cm  
Height - 115.6cm

**Important** - Please read these instructions fully before starting assembly

If you need help or have damaged or missing parts, call the **Customer Helpline: 03456 400800**.  
For further assistance please visit <http://www.argos-support.co.uk/>.



# Safety and Care Advice

**Important** - Please read these instructions fully before starting assembly

- Check you have all the components and tools listed on pages 2 and 3.

- Remove all fittings from the plastic bags and separate them into their groups.

- During assembly keep children and animals away from the work area due to possible risk of injury and small parts could choke if swallowed.

- Do not stand or put weight on the product, this could cause damage.

- Assemble the item as close to its final position (in the same room) as possible.

- Assemble on a soft level surface to avoid damaging the unit or your floor.

- Parts of the assembly will be easier with 2 people.



power drill is set on a low torque setting.

- To reduce the likelihood of damaging your product please ensure that your

## Care and maintenance

- Only clean using a damp cloth and mild detergent, do not use bleach or abrasive cleaners.

- From time to time check that there are no loose screws on this unit.

- This product should not be discarded with household waste. Take to your local authority waste disposal centre.

## Handy Hints

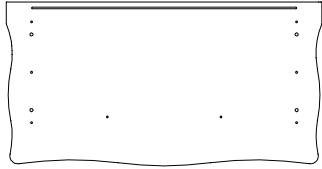
- Assemble all parts and bolts loosely during assembly, only once the product is complete should you fully tighten the bolts

- Regularly check and ensure that all bolts and fittings are tightened properly.

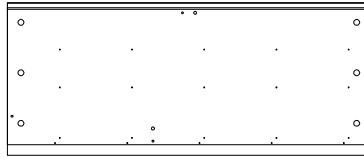
# Components - Panels

If you have damaged or missing componets, call the Customer Helpline: 03456 400800. For further assistance please visit <http://www.argos-support.co.uk/>

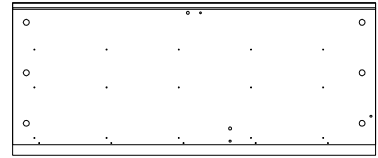
Please check you have all the panels listed below



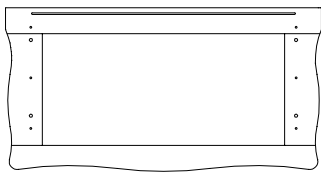
**1** Top × 1 (80 × 41.5cm)



**2** Left Side × 1 (92 × 38.6cm)



**3** Right Side × 1 (92 × 38.6cm)



**4** Base frame × 1 (80 × 41.5cm)



**5** Leg × 4 (20 × 4.5cm)



**6** Drawer front × 5 (65 × 18cm)



**7** Drawer side, left × 5 (30 × 12cm)



**8** Drawer side, right × 5 (30 × 12cm)



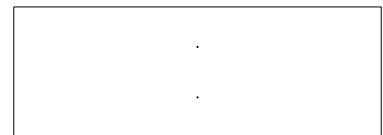
**9** Drawer back × 5 (60.5 × 11.7cm)



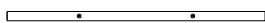
**10** Drawer base × 5 (61.6 × 29.9cm)



**11** Drawer support rail x 5 (28.8 × 5.7cm)



**12** Back panel × 2 (93.1 × 33.1cm)



**13** Top rail × 1 (65.4 × 2.4cm)




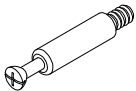
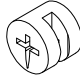
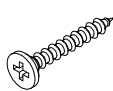




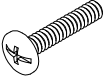
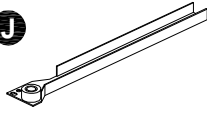
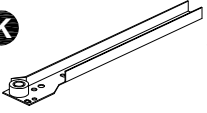
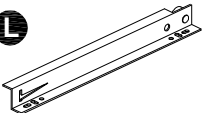
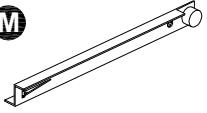
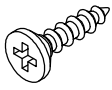
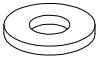


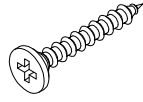

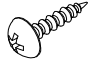


**14** Central rail x 2 (65.4 × 6.8cm)



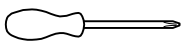
# Components - Fittings

Please check you have all the fittings listed below

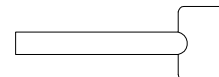
**Note:** The quantities below are the correct amount to complete the assembly. In some cases more fittings may be supplied than are required.

<b>A</b>		Wooden dowel × 12	<b>B</b>		Large locking pin × 18	<b>C</b>		Large locking nut × 18
<b>D</b>		Ø3.5×25mm Screw × 32	<b>E</b>		Small locking pin × 25	<b>F</b>		Small locking nut × 25
<b>G</b>		Allen key × 1	<b>H</b>		Handle × 10	<b>I</b>		D5/32"×7/8" Screw × 10
<b>J</b>		300mm Runner, outside left × 5	<b>K</b>		300mm Runner, outside right × 5	<b>L</b>		300mm Runner, inside left × 5
<b>M</b>		300mm Runner, inside right × 5	<b>N</b>		Ø3.5×15mm Screw × 70	<b>O</b>		Washer × 6
<b>P</b>		washer × 4	<b>Q</b>		Ø6×40mm Screw × 4	<b>R</b>		Ø3.5×30mm Screw × 2
<b>S</b>		Back panel support × 2	<b>T</b>		Ø3.0×15mm Screw × 4	<b>U</b>		Wall strap × 2
<b>V</b>		H shape plastic bar × 1						

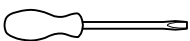
## Tools required



Phillips screwdriver  
(medium & large)

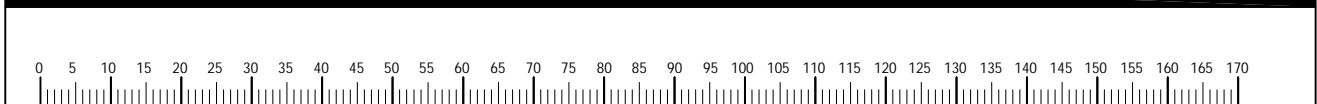


Rubber  
mallet



Flatblade screwdriver  
(medium)

**Ruler** - Use this ruler to help correctly identify the screws



# Assembly Instructions

## Step 1

**a:** Insert Wooden dowels **A** into Left side **2** and Right side **3**.

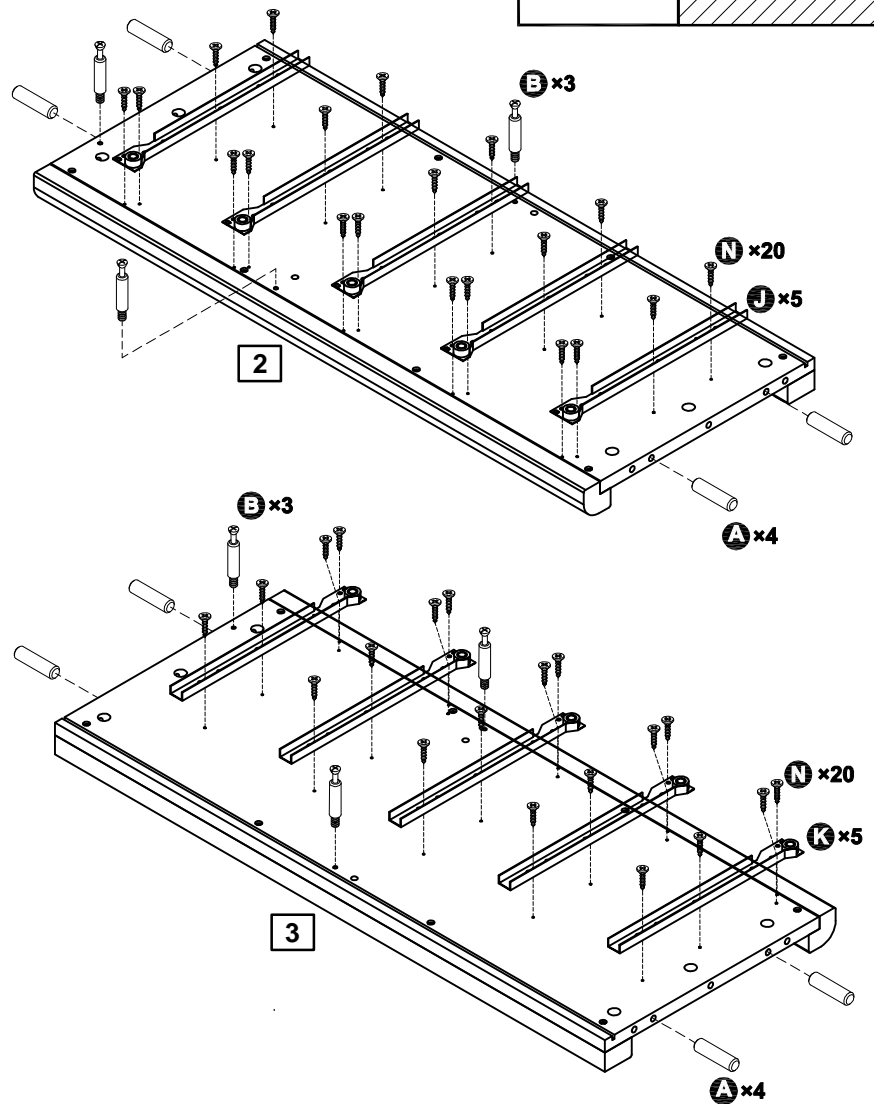
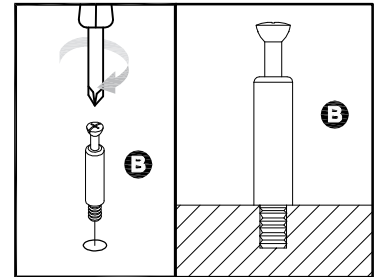
**b:** Fix Runner Outside Left **J** onto Left side **2** by using Screws **N**.

**c:** Fix Runner Outside Right **K** onto Right side **3** by using Screws **N**.

**d:** Insert Large locking Pin **B** into Left side **2** and Right side **3**.

**Note:** Insert locking pin as shown.

**Do not over tighten.**

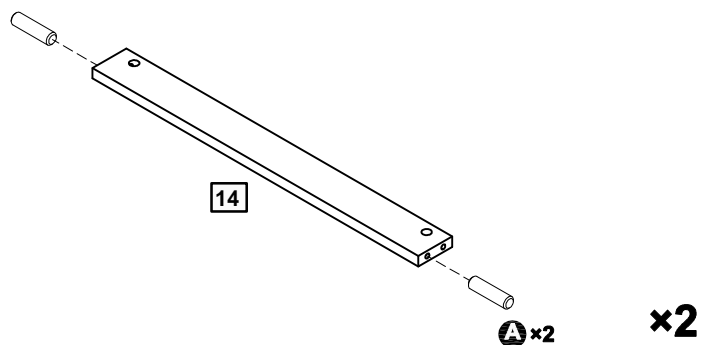


## Step 2

### Fitting dowels

Insert Wooden dowels **A** into Central rail **14**.

Repeat this step to another Central rail **14**.



# Assembly Instructions

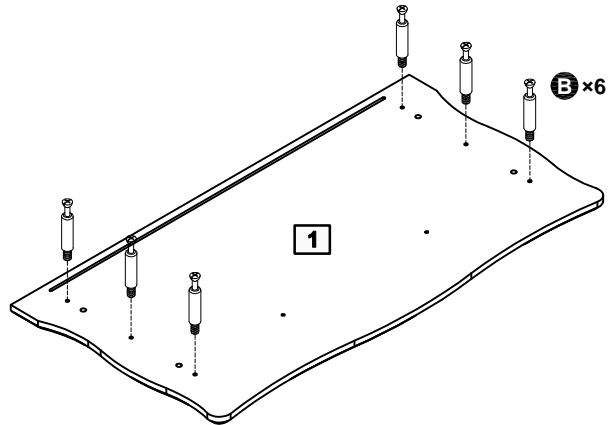
## Step 3

### Fitting locking pins

Insert Large locking Pin **B** into Top **1**.

**Note:** Insert locking pin as shown.

**Do not over tighten.**

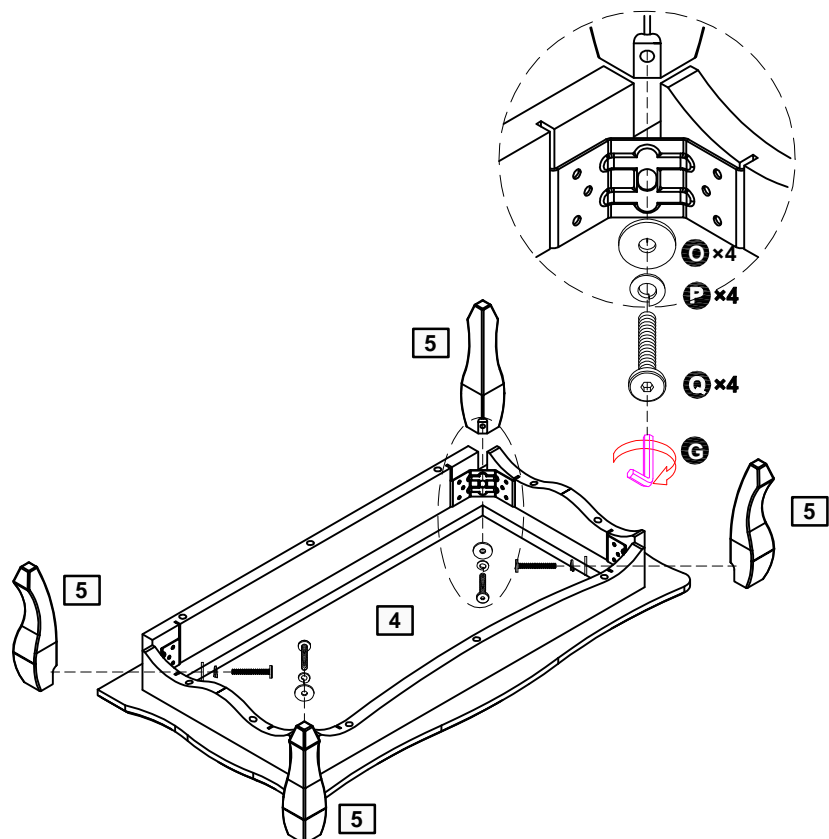


## Step 4

### Fixing legs to Base frame

Fixing Legs **5** to Base Fram **4** by using Screw **C** Washer **P** & **Q** and turn Allen Key **G** clock wise to fix.

**Repeat this step to fixing another 3 legs.**



# Assembly Instructions

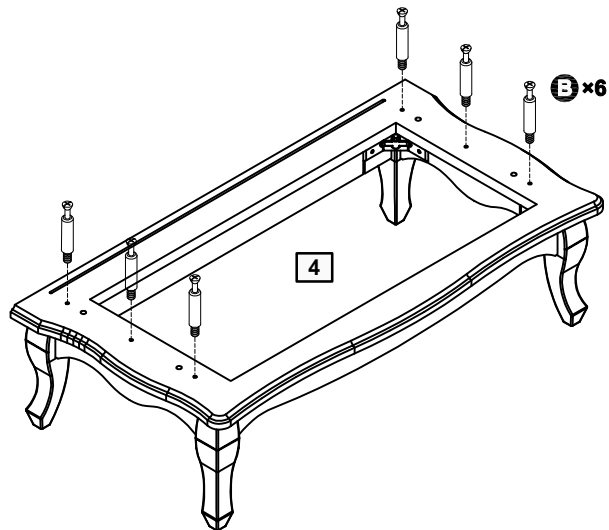
## Step 5

### Fitting locking pins

Fitting Locking pins **B** to Base Fram **4** .

**Note:** Insert locking pin as shown.

**Do not over tighten.**



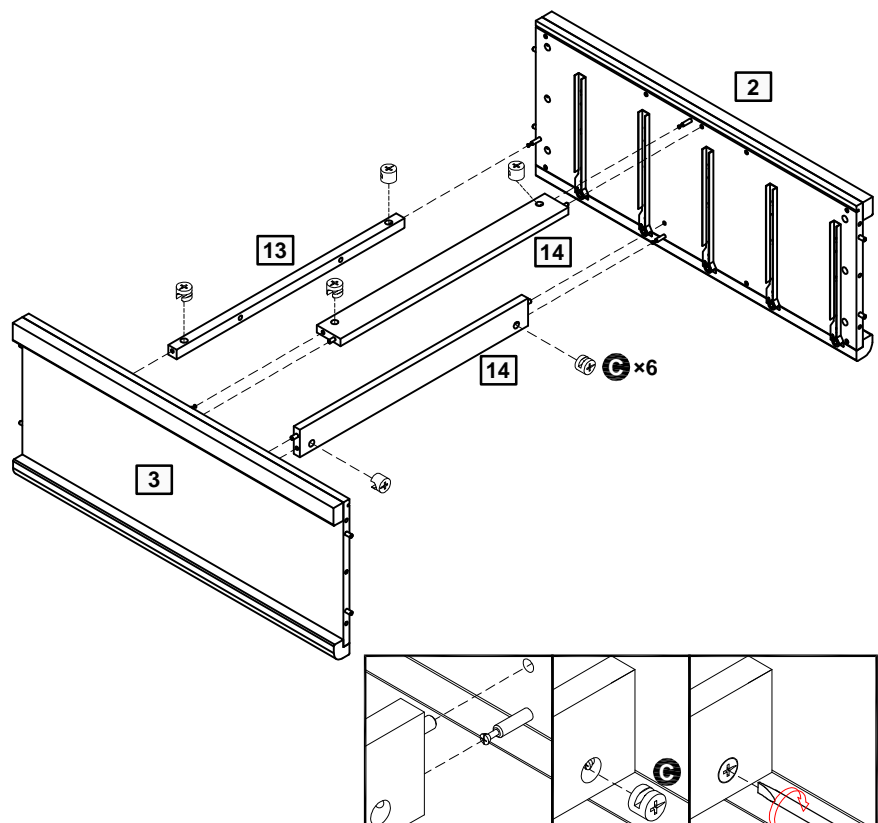
## Step 6

Two people are needed here.

Attach Top rail **13** and Central rail **14** to Left Side **2** and Right Side **3** as show on picture.

Insert Large locking nut to the rails as show on picture.

Use screw driver turn locking nut **C** clock wise to lock.



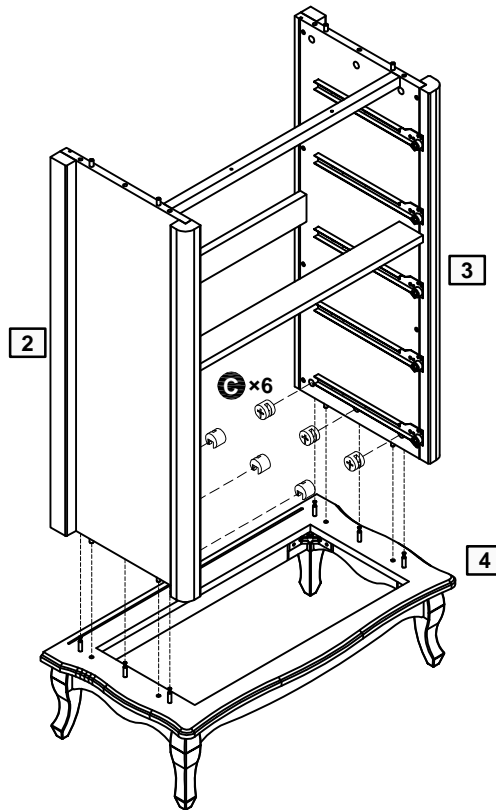
# Assembly Instructions

## Step 7

Attach the Sides unit to Base frame **4**.

Insert Large locking nut **C** to the sides as show on picture.

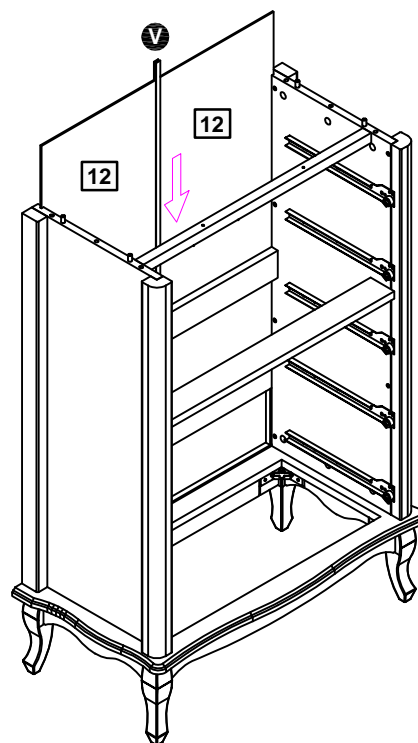
Use screw driver turn locking nut **C** clockwise to lock.



## Step 8

### Insert back panel

Connect 2 Back panels **12** by H shape plastic bar **V**, then Slip the Back panels to the groves on the Sides.



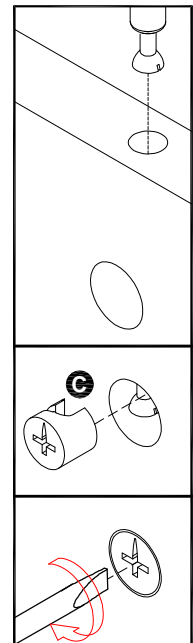
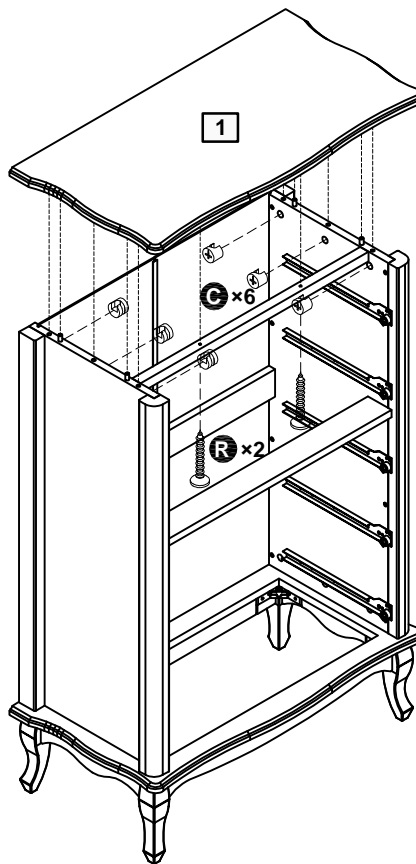


# Assembly Instructions

## Step 9

### Attaching Top

Attach Top **1** to the unit.  
Insert Locking Nuts **C** to the Sides where shown and use a screw driver to turn locking nuts **C** clockwise to lock.



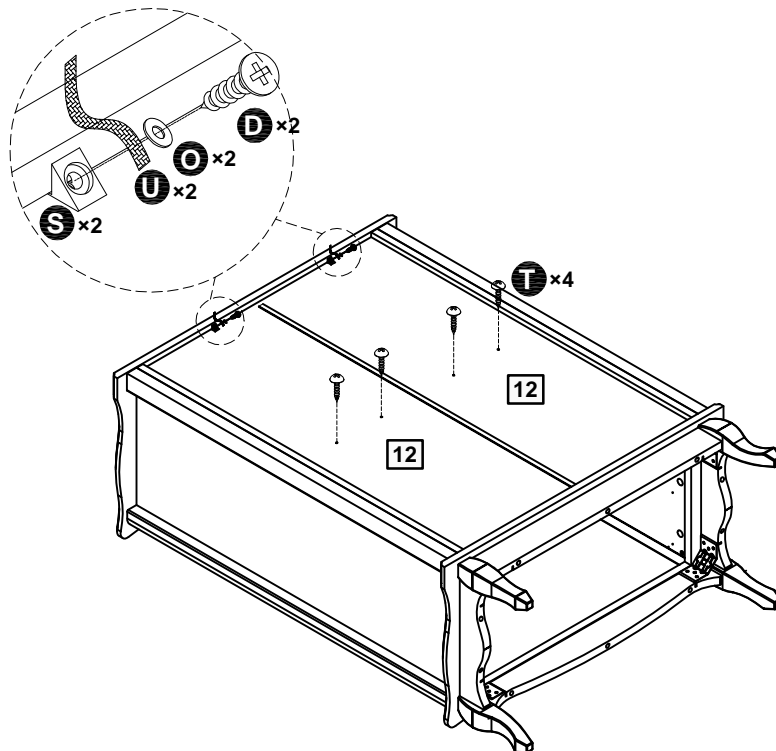
## Step 10

### Fix Back panel:

Fix Back panel **12** onto the unit by using Screws **T**.

### Fix Wall straps

Fix Wall Straps **U** by Back panel support **S**, Washer **O** and Screw **D**.



# Assembly Instructions

## Step 11

### Drawer assembly

**a:** Insert Small locking pin **E** into holes shown on back of Drawer front **6**.

**Note:** Insert Locking pin as shown.

**Do not over tighten.**

**b:** Attach Drawer sides **7** **8** and Drawer support rail **11** to Drawer front **6**.

Insert Small locking nuts **F** into Drawer Sides and Drawer support rail.

Use a screw driver to turn locking nuts **F** clockwise to lock.

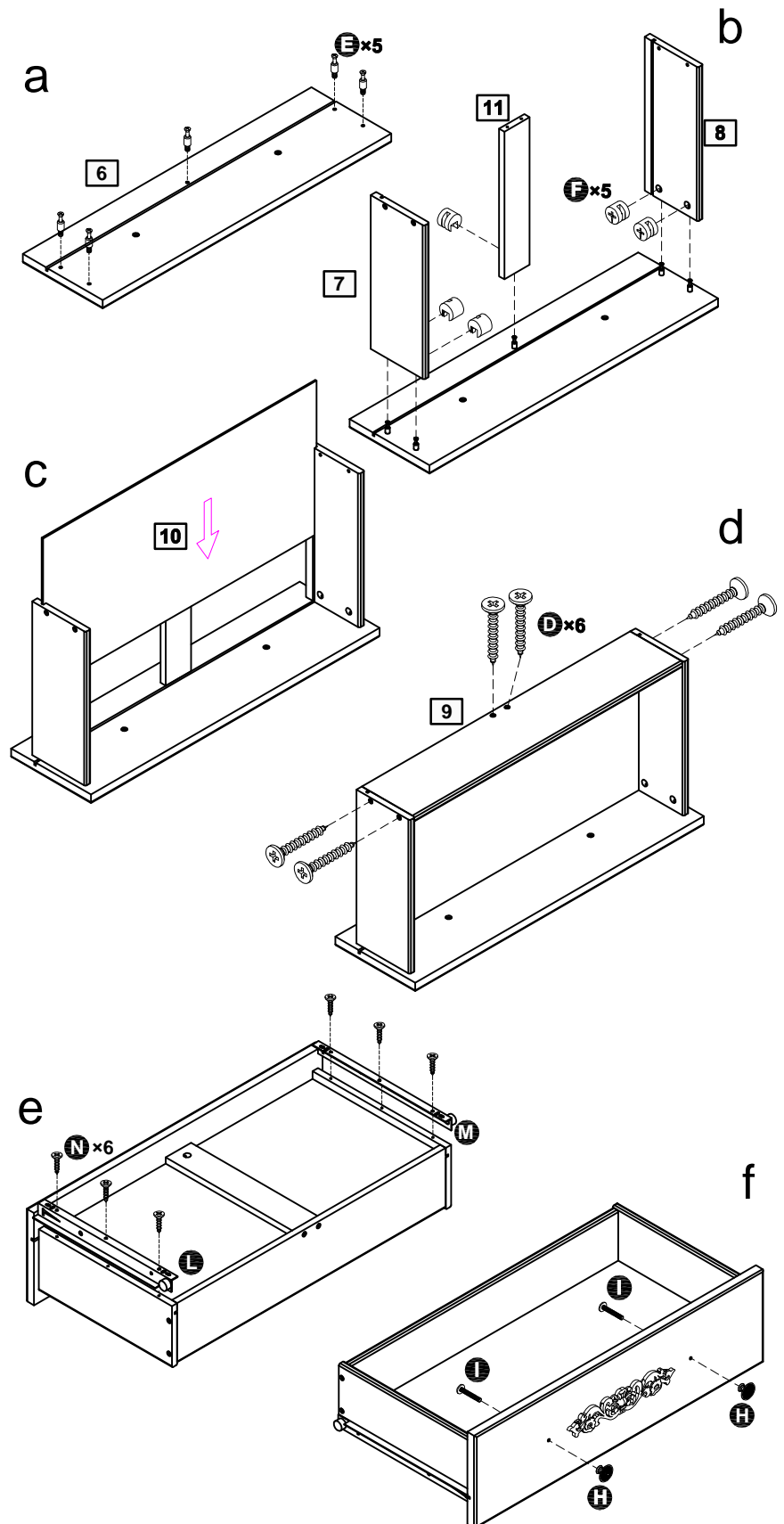
**c:** Slip Drawer base into grooves on Drawer sides.

**d:** Fix Drawer back **9** onto sides by using 6 Screws **D**.

**e:** Fix Runners inside left **L** and Runner inside right **M** to the underside of Drawer sides by using Screws **N**.

**f:** Fix Handles **H** to the Drawer front by using Screw **I**.

**Repeat a - f to finish another 4 drawers.**



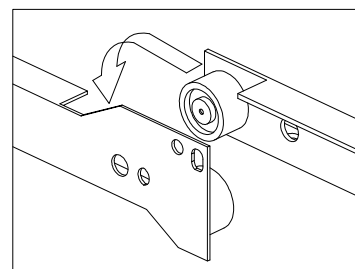
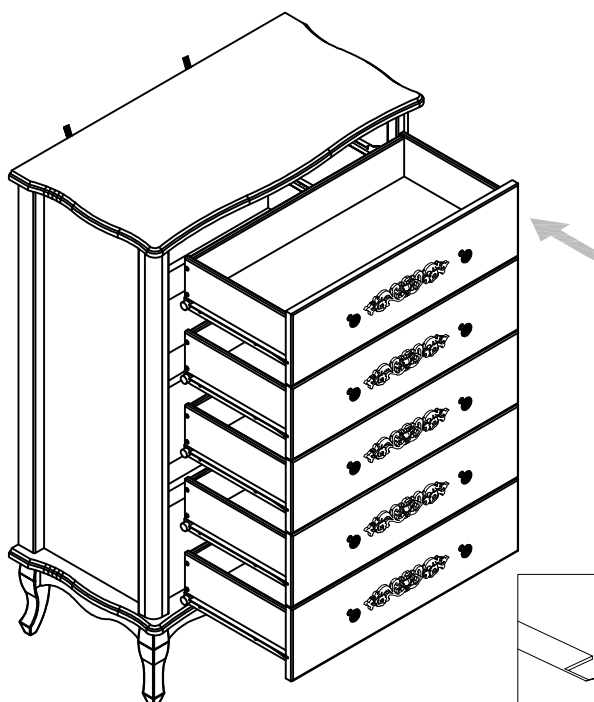
**x5**

# Assembly Instructions

## Step 12

### Insert drawers

Carefully put in drawers.



## Step 13

### Fixing to wall

The Chest should be fixed to a wall.

Move Chest into position.

Mark fixing holes on wall and remove chest.

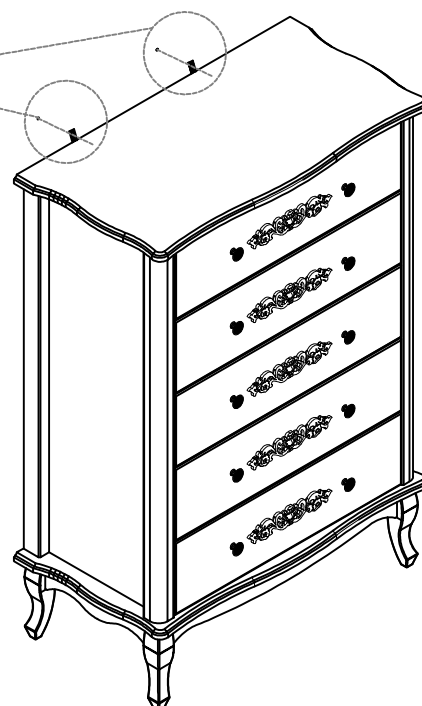
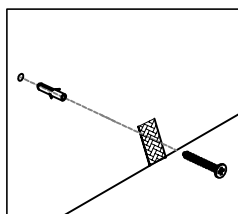
Drill holes and insert wall plugs.



**Warning:**  
Before drilling, check wall for hidden pipes and cables.

Reposition Chest and fix wall straps using screws.

**Assembly is finished.**



**Note:** wall plugs are not supplied.

The correct type of fixing must be used for your wall, seek professional advice in doubt.

If you need help or have damaged or missing parts, call the **Customer Helpline: 03456 400800**

Retailer: Argos

Address: 489-499 Avebury Boulevard Saxon Gate West, Central Milton Keynes Bucks, MK9,2NW

For further assistance please visit <http://www.argos-support.co.uk/>

# A Guide to - Wall Mounting & Fixings

## Important note:

If plastic wall plugs are supplied with your product:



- these are only suitable for use in masonry walls.

If you are in any doubt about the correct wall plugs for your wall, seek professional advice.


Failure of the product due to using incorrect fixings is the responsibility of the installer.



**Important:** When drilling into walls always check that there are no hidden wires or pipes etc.

Make sure that the screws and wall plugs being used are suitable for supporting your unit. Consult a qualified tradesperson if you are unsure.

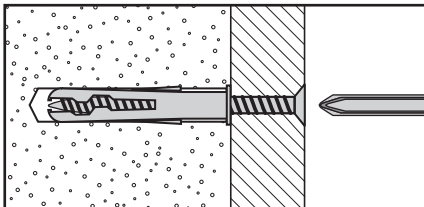
## Hints:

- 1: General rule:**  Always use a larger screw and wall plug if you are not sure.
- 2:** Ensure you use the recommended drill bit to match the wall plug and hole size.
- 3:** Ensure you drill the hole horizontally, do not force the drill or enlarge the hole.
- 4:** Take extra care when drilling high walls, ceilings and ceramic tiles. Ensure wall plugs are inserted beyond the thickness of the ceramic tiles to avoid the tiles splitting or cracking.
- 5:** Ensure wall plugs are well fitted and are a tight fit in the drilled hole.

## Types of walls

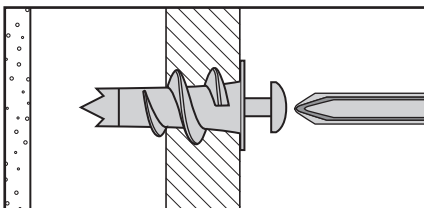
You can use one of the following types of wall plug if your walls are made of brick, breeze block, concrete, stone or wood.

### No.1 "General Purpose" wall plug



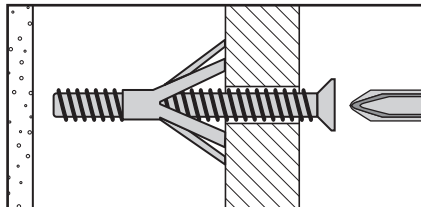
Generally aerated blocks should not be used to support heavy loads, use a specialist fitting in this case. For light loads, general purpose wall plugs can be used.

### No.2 "Plasterboard" wall plug



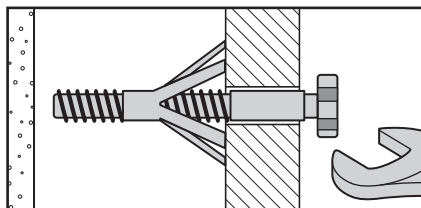
For use when attaching light loads on to plasterboard partitions.

### No.3 "Cavity Fixing" wall plug



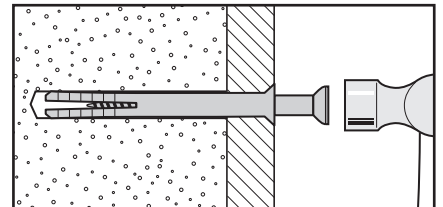
For use with plasterboard partitions or hollow wooden doors.

### No.4 "Cavity Fixing-Heavy Duty" wall plug



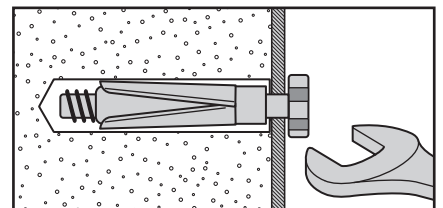
For use when fitting or supporting heavy loads such as shelving, wall cabinets and coat racks.

### No.5 "Hammer Fixing" wall plug



For use with walls stuck with plasterboard. The hammer fixing allows it to be fixed to the wall rather than the plasterboard. Always check the fixing is secure to the retaining wall.

### No.6 "Shield Anchor" wall plug Heavy loads



For use with heavier loads such as TV & HiFi speakers and satellite dishes etc.



## Care & Maintenance

**Safety:** Always check the fitting and location to ensure your safety in and around the home.

**Fitting:** From time to time check the fitting to ensure the wall plugs or screws do not become loose.