



PRODUCT GUARANTEE

This product is guaranteed against manufacturing defects for a period of



Year

This product is guaranteed for twelve months from the date of original purchase. Any defect that arises due to faulty materials or workman ship will either be replaced, refunded or repaired free of charge where possible during this period by the dealer from whom you purchased the unit.

The guarantee is subject to the following provisions:

- The guarantee does not cover accidental damage, misuse, cabinet parts, knobs or consumable items.
- The product must be correctly installed and operated in accordance with the instructions contained in this manual.
- It must be used solely for domestic purpose.
- The guarantee will be rendered invalid if the product is re-sold or has been damaged by inexpert repair.
- Specifications are subject to change without notice.
- The manufacturer disclaims any liability for the incidental or consequential damages.
- The guarantee is in addition to, and does not diminish your statutory or legal rights.

Guarantor: Argos Ltd
489 - 499 Avebury Boulevard
Central Milton Keynes
MK9 2NW



WASTE ELECTRICAL PRODUCTS SHOULD NOT BE DISPOSED OF WITH HOUSEHOLD WASTE. PLEASE RECYCLE WHERE FACILITIES EXIST. CHECK WITH YOUR LOCAL AUTHORITY FOR RECYCLING ADVICE.



Value Range

Instruction Manual - Please keep for future reference

2KW Convector Heater



CCH4

252X172

IMPORTANT SAFETY INSTRUCTIONS

"Read all instruction before use" and save for future reference.



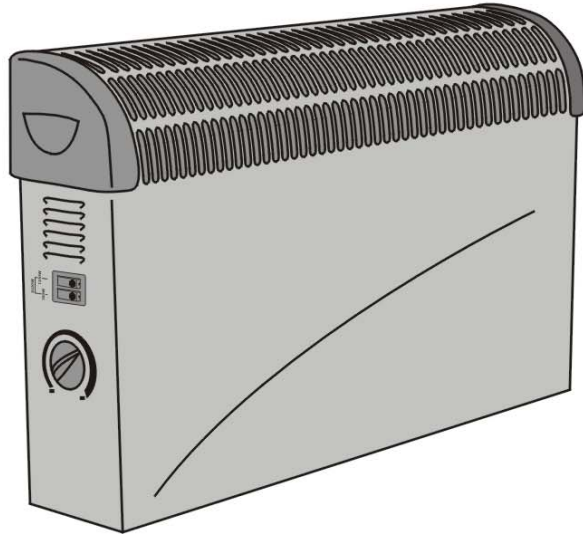
WARNING:- In order to avoid overheating, do not cover the heater.



- Do not use the heater unless the feet are correctly attached, unless wall mounted.
- This appliance is not intended for use by person (including children) with reduced physical sensory or mental capabilities, or lack of experience and knowledge, unless they have been given supervision or instruction concerning use of the appliance by a person responsible of their safety.
- Children should be supervised to ensure that they do not play with the appliance plug replacement.
- Ensure the power supply to socket into which the heater is plugged into is in accordance with the rating label on the heater and that the socket is earthed.
- Keep the mains lead away from the hot body of the heater.
- The heater is not intended for use in bathrooms, laundry areas or similar indoor locations.
- Never place the heater where it may fall into a bathtub or other water containers.
- Do not use outdoors.
- Do not cover or obstruct any of the heat outlet grilles or the air intake openings of the heater as this will cause a fire hazard.
- Do not place the heater on carpets that have a very deep pile.
- Always ensure that the heater is placed on a firm level surface, Ensure that the heater is not positioned close to curtains or furniture as this could create a fire hazard.
- Do not position the heater in front of, or immediately below, a wall socket.
- Do not insert any object through the heat outlet or air intake grilles of the heater.
- Do not use the heater in areas where flammable liquids are stored or where flammable fumes may be present.
- Particular care should be taken when the heater is situated in areas occupied by children or invalids.
- Always unplug the heater when moving it from one location to another.
- Do not use the heater if the power cord is damaged, if the power cord is damaged it must be replaced by a recognized service agent or other qualified person.
- Do not use this heater with a programmer, timer or any other device that switches the heater on automatically, since a fire risk exists if the heater is covered or positioned incorrectly.

KNOW YOUR MACHINE

Ⓐ 1 x Heater



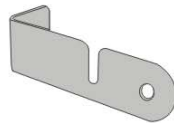
Ⓑ 2 x Foot



Ⓒ 2 x Left Bracket



Ⓓ 2 x Right Bracket



Fittings

Ⓐ 4 x Wall Plug



Ⓑ 4 x Screw for Wall
(35mm)



Ⓒ 4 x Screw for Feet
(12mm)



MAINTENANCE

Cleaning the Heater

- Always un-plug the heater from the wall socket and allow it to cool down before cleaning.
- Clean the outside of the heater by wiping with a damp cloth and buff with a dry cloth. Do not use any detergents or abrasives and do not allow any water to enter the heater.

Storing the heater

- When the heater is not used for long periods of time it should be protected from dust and stored in a clean dry place.

SPECIFICATIONS

CHALLENGE 2KW Convector4

Max. Power	2000W
Power Range:	750-1250-2000W
Voltage:	220-240V ~ 50Hz

Plug Replacement.

If you need to replace the fitted plug .



WARNING:

Never connect live or neutral wires to the earth terminal of the plug. Only fit an approved 13 Amp BS1363/A plug and the correct rated fuse. If in doubt, consult a qualified electrician.

IMPORTANT

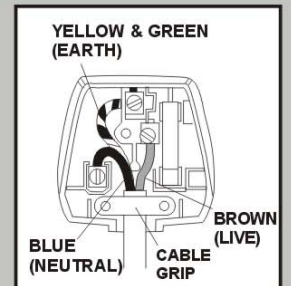
The wires in this mains lead are coloured as follows:

Blue-Neutral
Brown-Live
Yellow & Green-Earth

As the colours of the wires in the mains lead of this apparatus may not correspond with the coloured markings identifying the terminals in your plug, proceed as follows:

The wire which is coloured Blue must be connected to the terminal, which is marked with N or coloured Blue.

The wire which is coloured Brown must be connected to the terminal which is marked L or coloured Brown. The wire which is coloured Yellow & Green must be connected to the terminal indicated E or Symbol \perp .



OPERATION



NOTE:

It is normal when the heater is turned on for the first time or when turned on after having not been used for a long period of time it may emit some odour.

This will disappear when the heater has been on for a short while.

1. Choose a suitable location for the heater, taking into account the safety instructions.
2. Insert the plug of the heater into a suitable mains socket.
3. Turn the Thermostat Knob fully in a clockwise direction to the maximum setting.
See fig. 6.
4. Turn On the heating elements by means of the rocker switches on the side panel. When the heating elements are On the switches will illuminate.
See fig. 6.

For your safety, the heater has a safety tilt switch in the base, which switches the heater off if it is knocked over. For this to work, the heater must be standing on a firm and level surface.

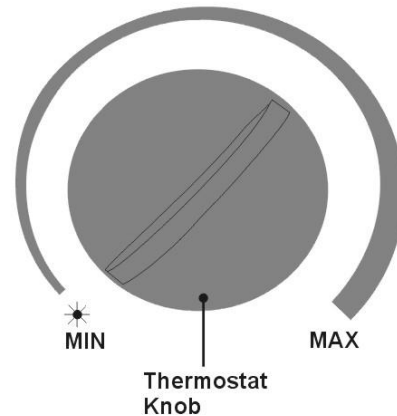
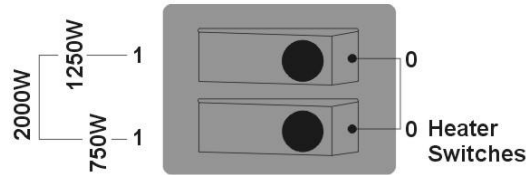


fig. 6

ASSEMBLY INSTRUCTION

Fitting the Feet



NOTE:

Before using the heater, the feet must be fitted to the unit, unless the unit is to be wall mounted.

1. Carefully turn the unit upside down. Use the Screws **C** to fix the Feet **B** onto the Heater **A**. Take care to ensure that they are located correctly in the bottom ends of the Heater side moldings. See fig. 1.

Wall Mounting (optional)



IMPORTANT:

When drilling into walls always check that there are no hidden wires or pipes etc. Make sure that the screws and wall plugs supplied are suitable for supporting the unit. Consult a qualified person if you are not sure.



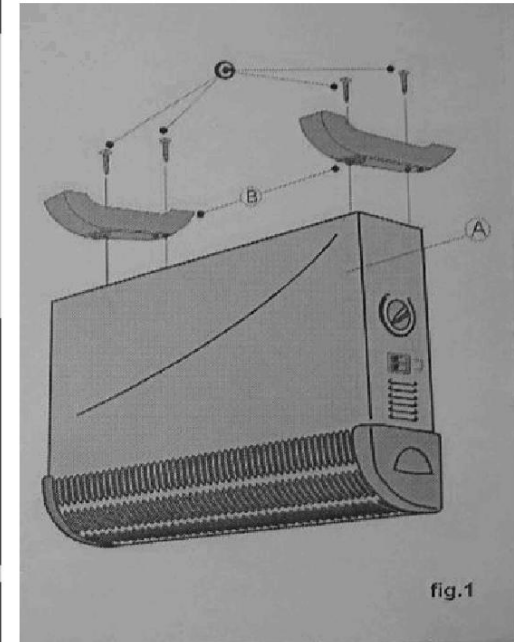
WARNING:

Position the Heater carefully. It must not be in front of or below a power socket. It must not be below a shelf, curtains or any other obstruction. The heater has to be installed at least 0.1m above the floor.



WARNING:

The case of heater gets warm during normal operation therefore for wall mounting please ensure that the wall surface is suitable. Some wall coverings may be affected by the high temperature.



ASSEMBLY INSTRUCTION

Wall Mounting (optional)

NOTE: It would be useful to ask someone to help you at this stage.

1. Place the unit onto the left bracket **C** and right bracket **D**, then hold them in place. See fig. 2.
2. Hold the heater against the wall in the desired location and check if its horizontal. Mark the wall and use these marks to indicate where to drill four holes for the bracket **C** & **D**. For the hole of the bracket **C** & **D** which fixed on the bottom of the unit, please refer to Fig.5 to add the mark to the wall.
3. Remove the brackets at the back of unit from the heater and prepare to fix them to the wall.
4. Use the screw **C** to fix the bracket **C** & **D** onto the bottom of unit. See Fig 3.
5. Use the wall plugs **A** to fit to the drilled holes. Then use the screws **B** to fix the bracket **C** & **D** which will fix at the back of unit onto the wall. See Fig. 4
6. Place the heater onto the brackets and make sure the heater is place in correct direction. Handle should be upside and back of heater is near the wall.
7. Use screw **B** to fix the bracket **C** & **D** which located at the bottom of unit on to the wall.

Always make sure the unit is secure.

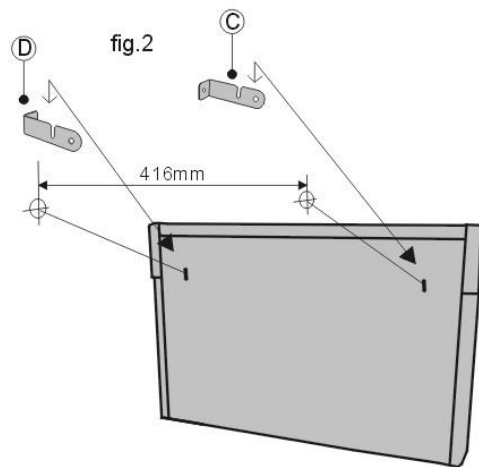
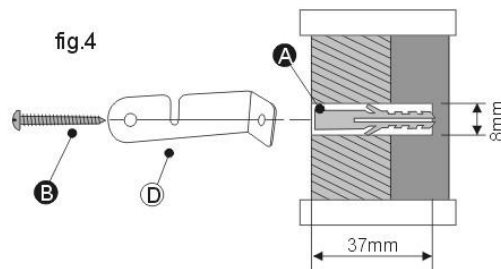
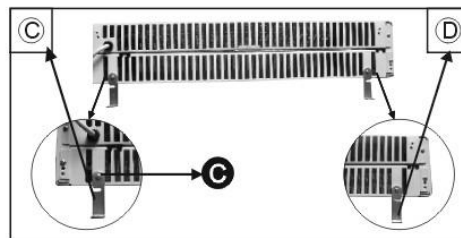


fig.3



HOW TO DRILL THE HOLES ON THE WALL

