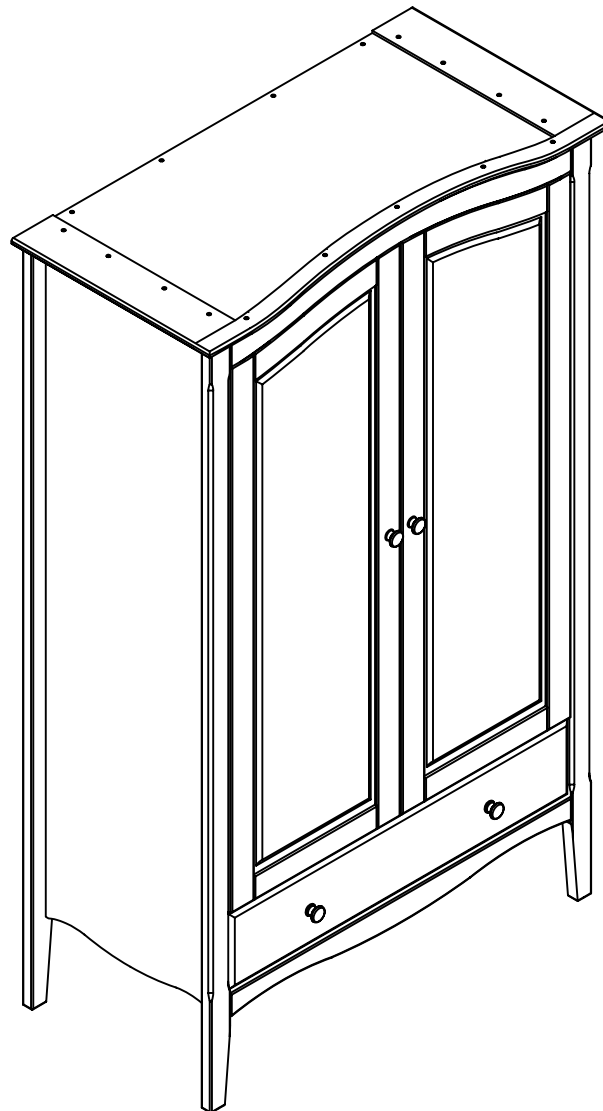


# avignon 2 door wardrobe

Assembly Instructions - Please keep for future reference

259/1672

259/2561



## Dimensions

Width - 115cm  
Depth - 56.7cm  
Height - 198cm

**Important - Please read these instructions fully before starting assembly**

If you need help or have damaged or missing parts, call the  
**Customer Helpline: Argos = 0345 6400 800**



# Safety and Care Advice

**Important** - Please read these instructions fully before starting assembly

- Check you have all the components and tools listed on pages 2 and 3.
- Remove all fittings from the plastic bags and separate them into their groups.
- Keep children and animals away from the work area, small parts could choke if swallowed.
- Make sure you have enough space to layout the parts before starting.

- Do not stand or put weight on the product, this could cause damage.
- Assemble the item as close to its final position (in the same room) as possible.
- Assemble on a soft level surface to avoid damaging the unit or your floor.
- Parts of the assembly will be easier with 2 people.



- To reduce the likelihood of damaging your product please ensure that your power drill is set on a low torque setting.

## Care and maintenance

- Only clean using a damp cloth and mild detergent, do not use bleach or abrasive cleaners.
- From time to time check that there are no loose screws on this unit.
- This product should not be discarded with household waste. Take to your local authority waste disposal centre.

## Handy Hints

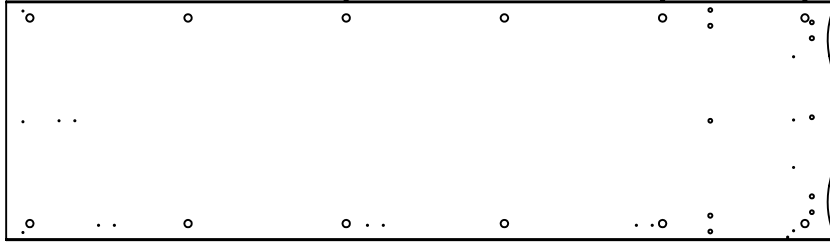
- Assemble all parts and bolts loosely during assembly, only once the product is complete should you fully tighten the bolts
- Regularly check and ensure that all bolts and fittings are tightened properly.

**Note:** if required the next page can be cut out and used as reference throughout the assembly. Keep this page with these instructions for future reference.

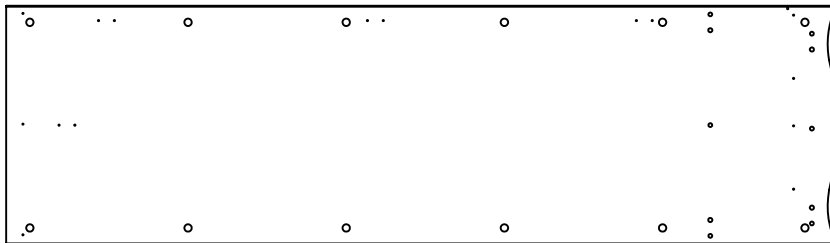
# Components - Panels

If you have damaged or missing components, call the  
Customer Helpline: Argos = 0345 6400 800

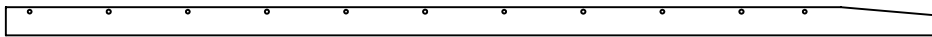
Please check you have all the panels listed below



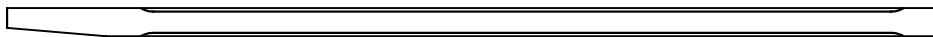
**1** Side Panel, Left ×1 ( 167.9x48.3 cm)



**2** Side Panel, Right ×1 ( 167.9x48.3 cm)



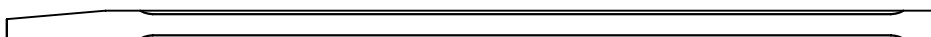
**3** Rear Left leg ×1 ( 188.9×5.7 cm)



**4** Front left leg ×1 ( 188.9×5.7 cm)



**5** Rear right leg ×1 ( 188.9×5.7 cm)



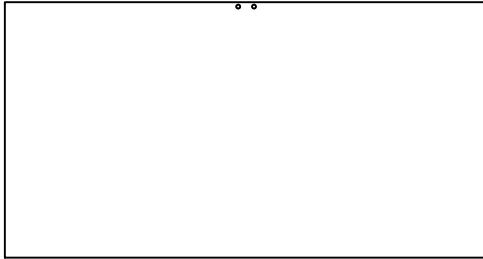
**6** Front right leg ×1 ( 188.9×5.7 cm)



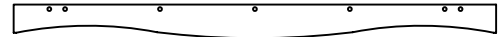
# Components - Panels

If you have damaged or missing components, call the  
Customer Helpline: Argos = 0345 6400 800

Please check you have all the panels listed below



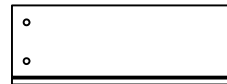
**7** Shelf ×1 ( 97.6×51.5 cm)



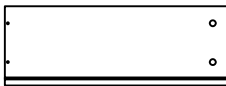
**8** Plinth bar ×1 ( 97.6×6.8 cm)



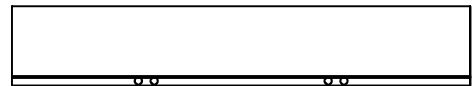
**9** Drawer front ×1 ( 97.2×19 cm)



**10** Drawer side left ×1 (45×16 cm)



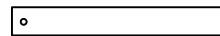
**11** Drawer side right ×1 (45×16 cm)



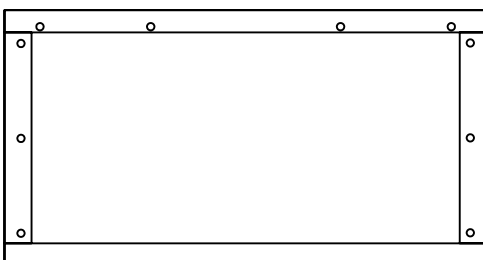
**12** Drawer back ×1 (92.7×15.7 cm)



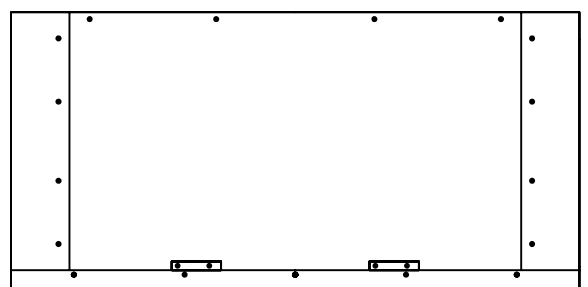
**13** Drawer bottom ×1 ( 93.8×44.9 cm)



**14** Support rail ×2 ( 43.8×5.7 cm)



**15** Bottom frame ×1 ( 97.6×51.7 cm)



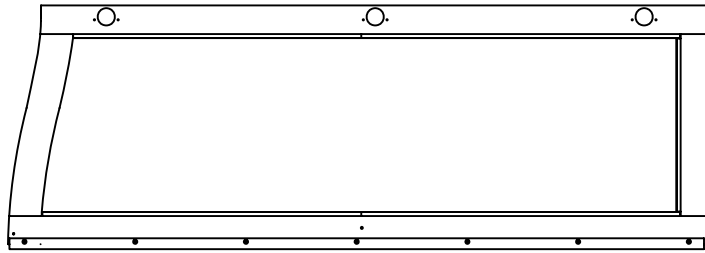
**16** Top panel ×1 ( 115×56.7 cm)



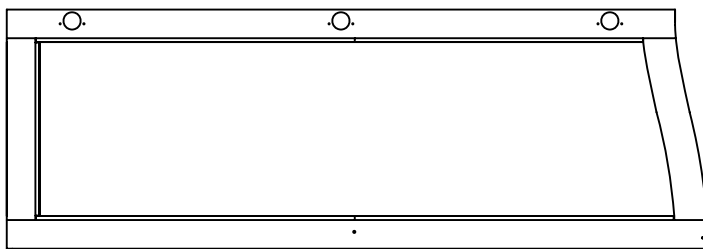
# Components - Panels

If you have damaged or missing components, call the  
Customer Helpline: Argos = 0345 6400 800

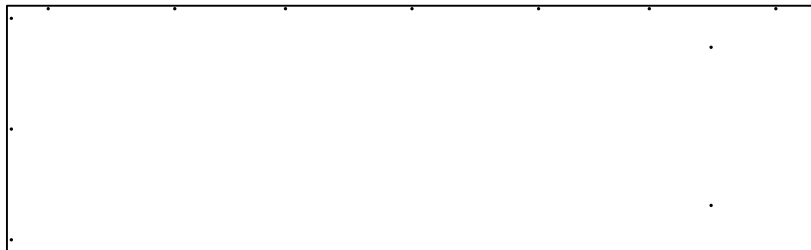
Please check you have all the panels listed below



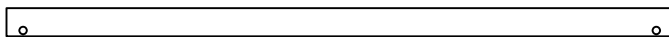
**17** Door, right panel ×1 ( 141.9×49.3 cm)



**18** Door, Left panel ×1 ( 141.9×48.4cm)



**19** Back panel ×2 (163.9 × 49.9cm)





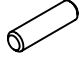





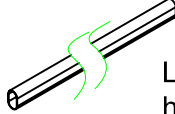

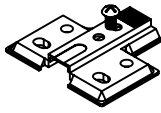
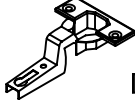

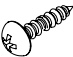
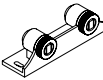
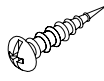

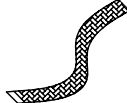
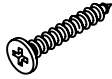
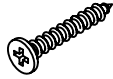






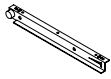
**20** Horizontal bar ×1 ( 134.75× 5.7cm)



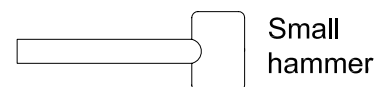
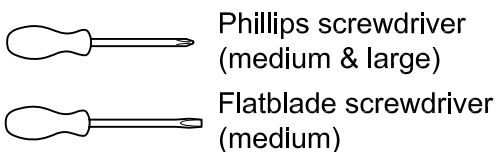
# Components - Fittings

Please check you have all the fittings listed below

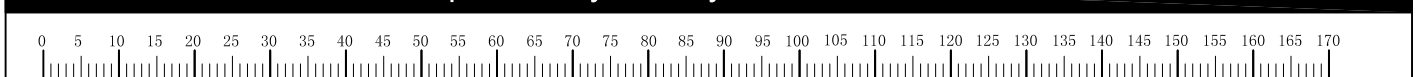
**Note:** The quantities below are the correct amount to complete the assembly. In some cases more fittings may be supplied than are required.

<b>A</b>  Large locking pin x 42	<b>B</b>  Large locking nut x 42	<b>C</b>  D8*30 wooden dowel x 33
<b>D</b>  caps x 16	<b>E</b>  Ø3.5*15 screw x 56	<b>F</b>  Ø3.0*12 screw for Magnet x 2
<b>G</b>  Magnet part 2 x 2	<b>H</b>  hanger rail support x 2	<b>I</b>  L=967mm hanging rail x 1
<b>J</b>  D12 locking pin x 6	<b>K</b>  D35 cross plate x 6	<b>L</b>  D35 door hinge x 6
<b>M</b>  Rubber bumper x 2	<b>N</b>  Ø3.0*12 screw x 2	<b>O</b>  magnet part 1 x 1
<b>P</b>  M3.0*15 screw x 38	<b>Q</b>  D4*9 washer x 8	<b>R</b>  wall strap x 1
<b>S</b>  Ø3.5*25 screw x 8	<b>T</b>  Ø3.5*30 screw x 6	<b>U</b>  D12 locking nut x 6
<b>V</b>  screw for handle x 4	<b>W</b>  handle x 4	<b>X</b>  Runner outside left x 1
<b>Y</b>  Runner outside right x 1	<b>Z</b>  Runner Inside left x 1	<b>AA</b>  Runner Inside right x 1

## Tools required



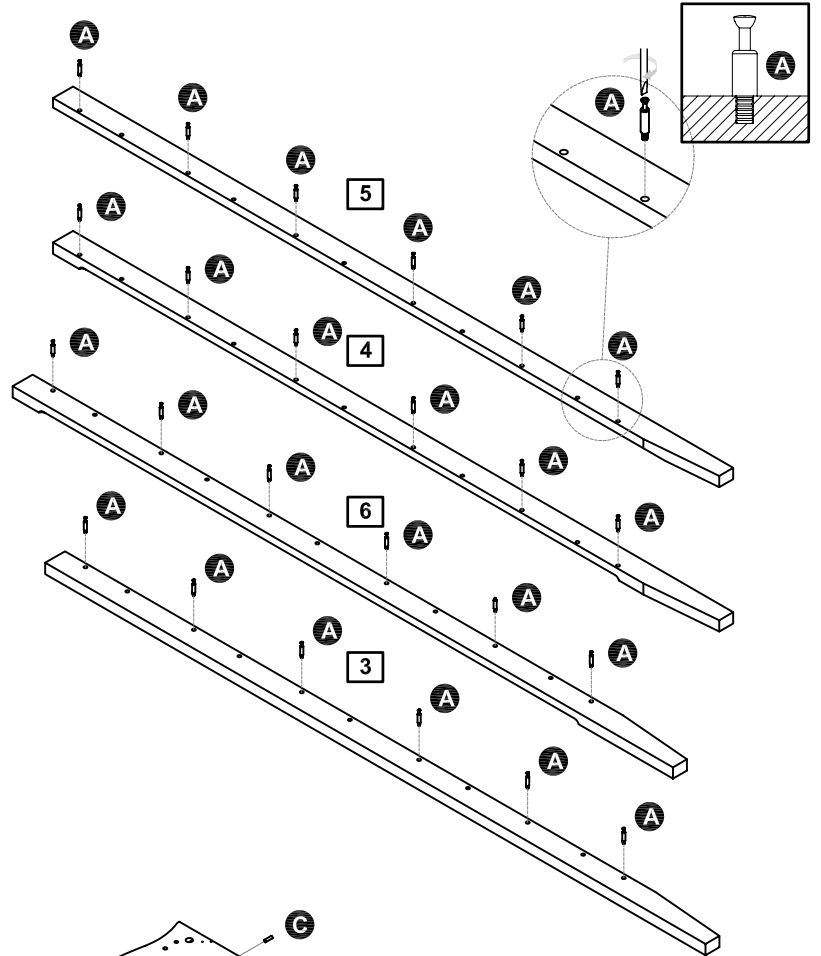
**Ruler** - Use this ruler to help correctly identify the screws



# Assembly Instructions

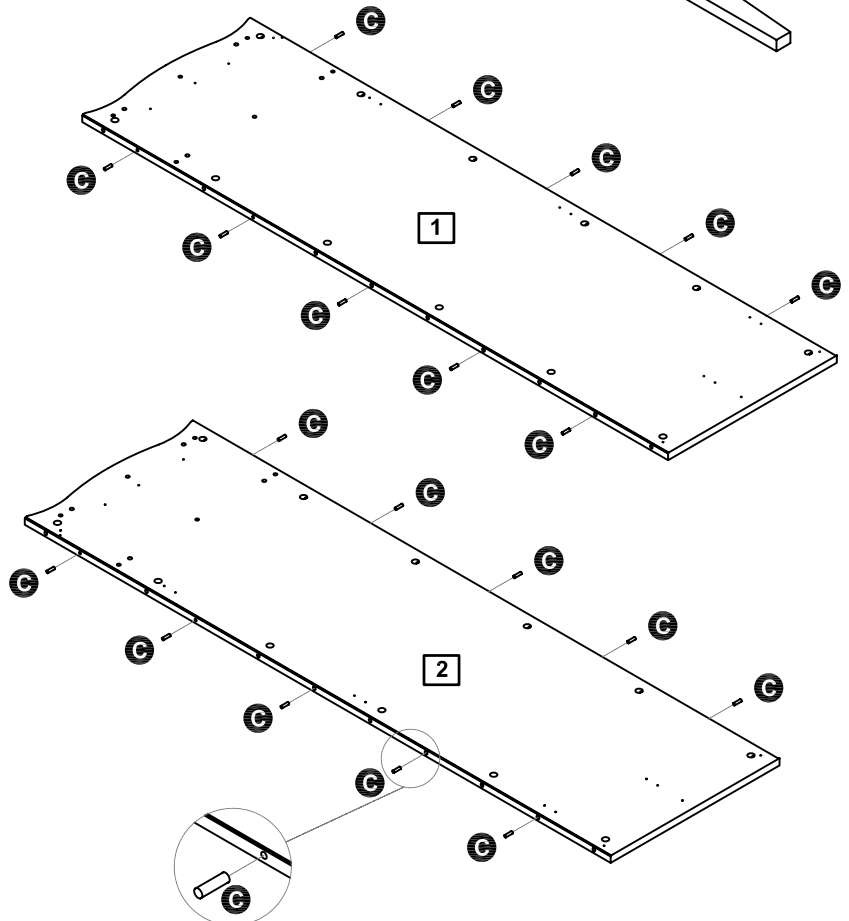
## Step 1

- a. Insert 6 Locking pins **A** into rear left leg **3**
- b. Repeat all the steps to the other legs **4** **5** and **6**



## Step 2

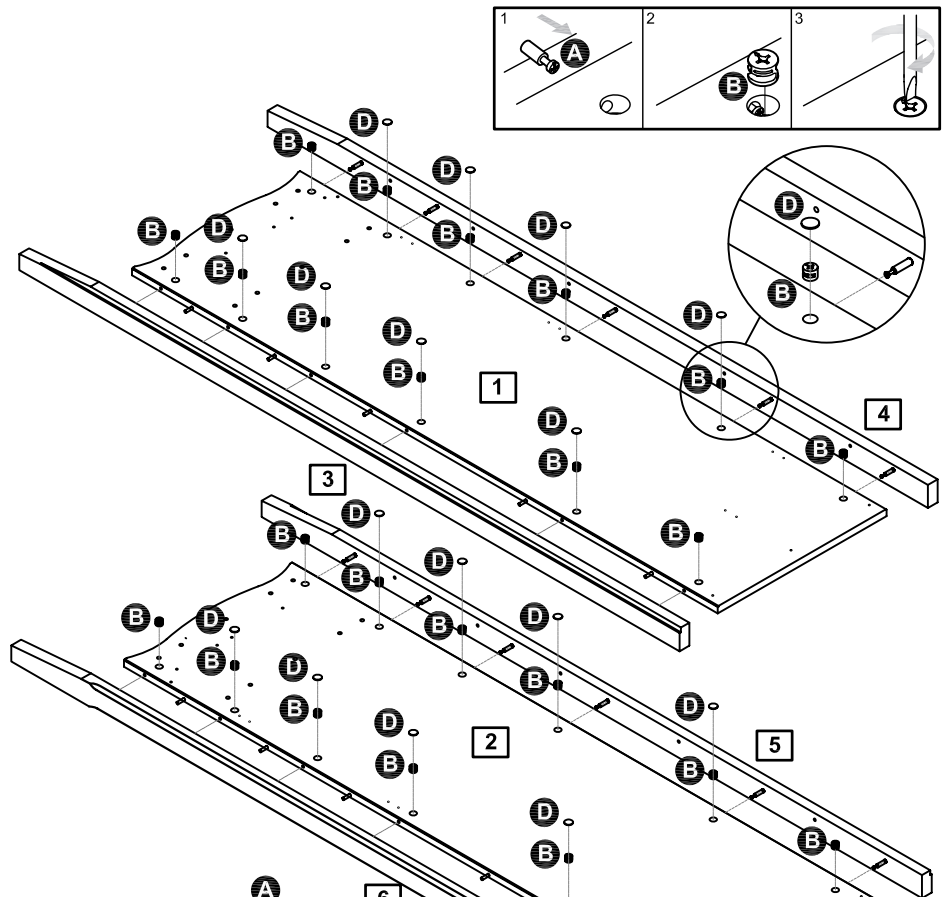
- a. Insert 10 wooden dowel **C** into Side panel, Left **1**.
- b. repeat to Side panel, Right **2**.



# Assembly Instructions

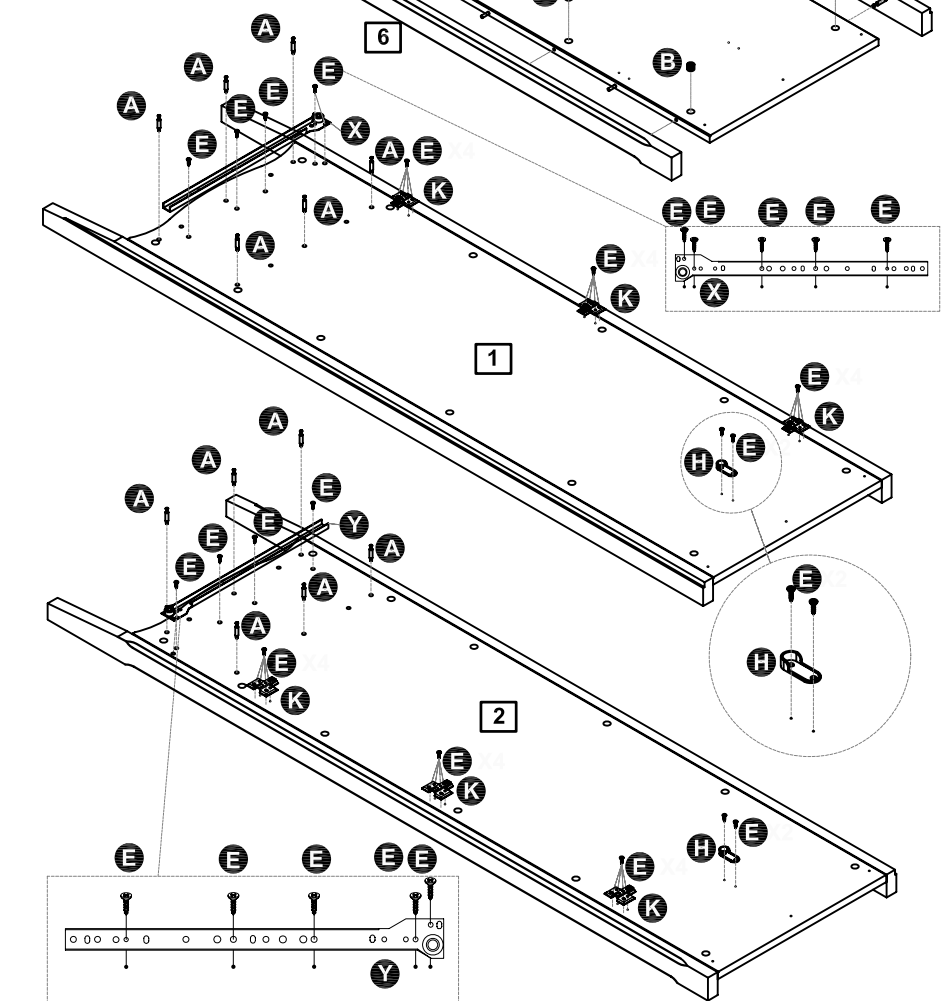
## Step 3

- a. Attach legs **4** and **3** to Side panel **1** by 12 Locking nuts **B**, then add 8 Cap **D** on 8 locking nuts which are visible after assembly is complete.
- b. Repeat above steps to attach legs **6** and **5** to Side panel **2**.



## Step 4

- a. Insert 6 Large locking pin **A** into Side panel **1**
- b. Fix 1 runner **X** onto Side panel 1 by 5 Screw **E**
- c. Fix 3 Cross plate **K** onto Side panel **1** by 12 Screw **E**
- d. Fix hanger rail support **H** onto Side panel **1** by 2 Screw **E**
- e. Repeat all steps to Side panel **2**.

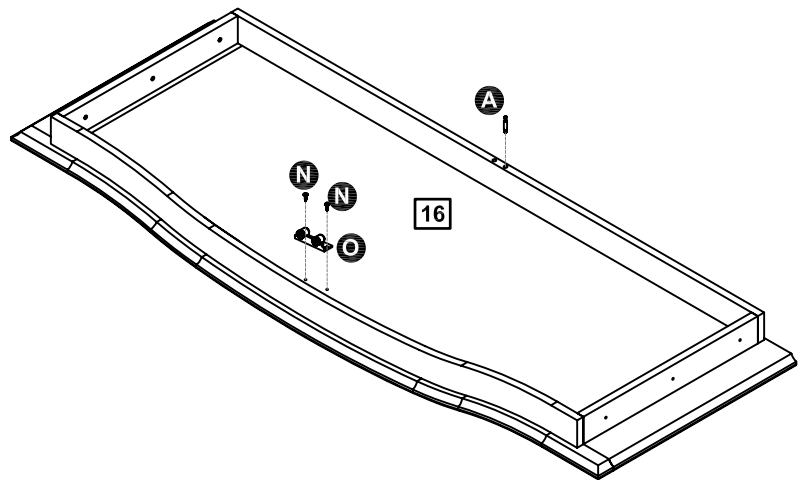




# Assembly Instructions

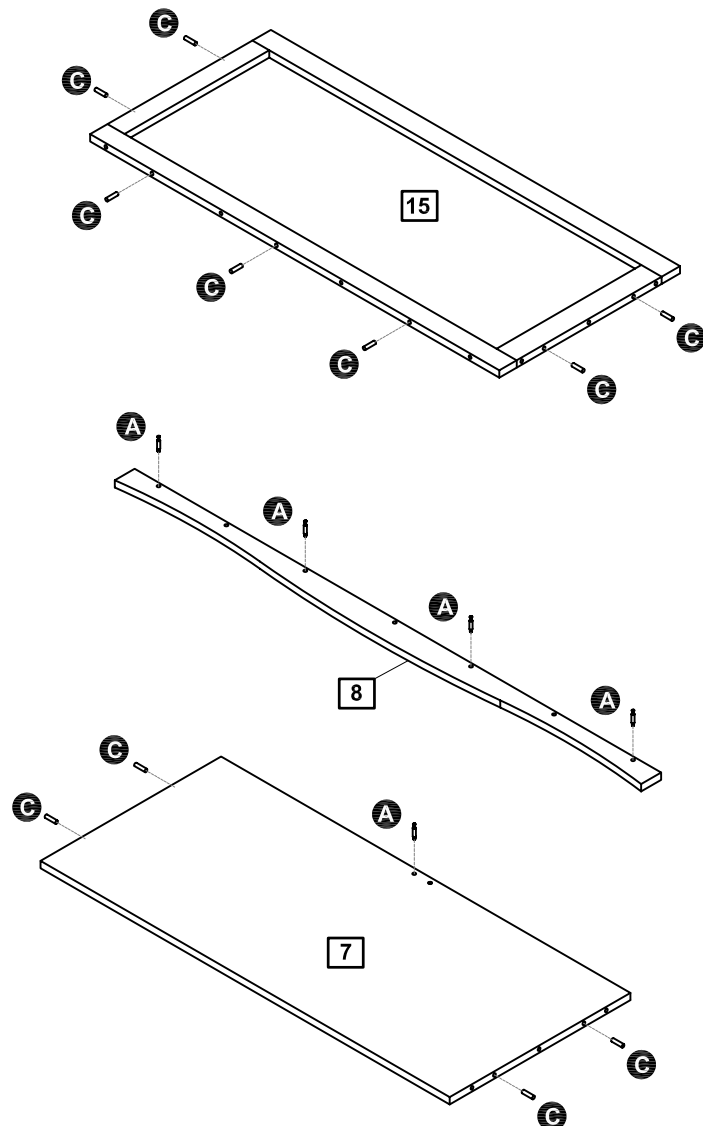
## Step 5

- a. Fix Magnet part 1 **O** onto Top panel **16** by 2 Screw **N**
- b. Insert 1 Large locking pin **A** into Top panel **16**



## Step 6

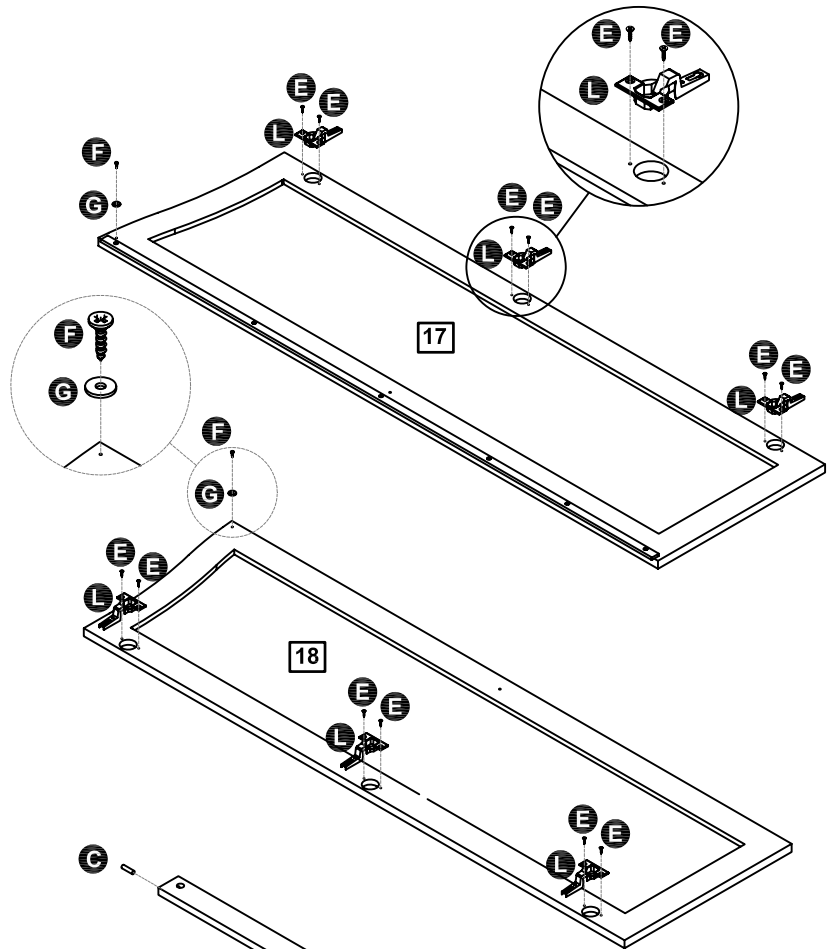
- a. Insert 7 Wooden dowels **G** into Bottom frame **15**
- b. Insert 4 Large locking pin **A** into Plinth bar **8**
- c. Insert 1 Large locking pin **A** into Shelf **7**
- d. Insert 4 Wooden dowel **G** into Shelf **7**



# Assembly Instructions

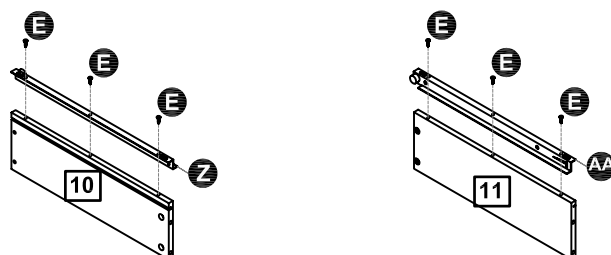
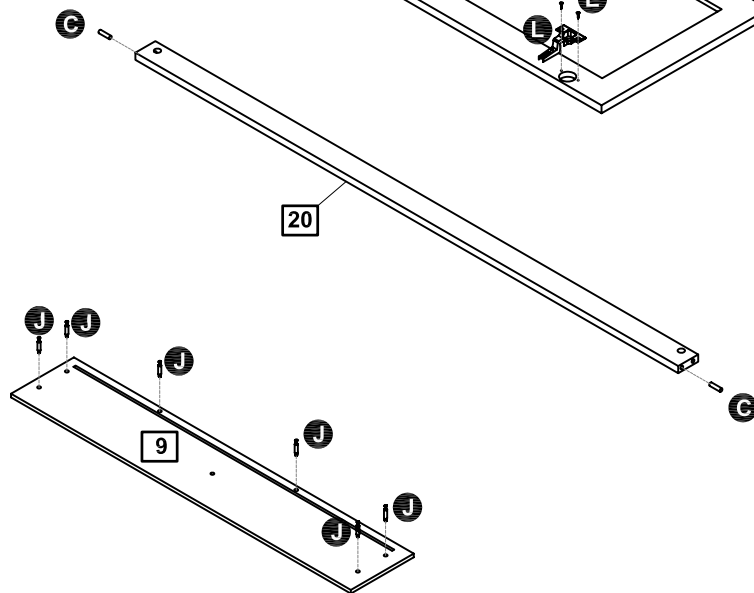
## Step 7

- Fix 1 magnet part **G** onto Door left panel **18** by 1 Screw **F**
- Fix 3 door hinge **L** onto Door left panel **18** by 6 Screw **E**
- Repeat all steps to Door right panel **17**



## Step 8

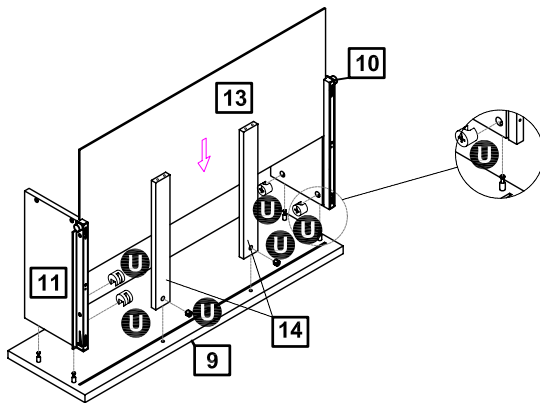
- Insert 2 Wooden dowel **G** into Horizontal bar **20**.
- Insert 6 Screw **J** into Drawer front **9**
- Fix runner **Z** onto Drawer side left **10** by Screw **E**
- Fix runner **AA** onto Drawer side right **11** by Screw **E**



# Assembly Instructions

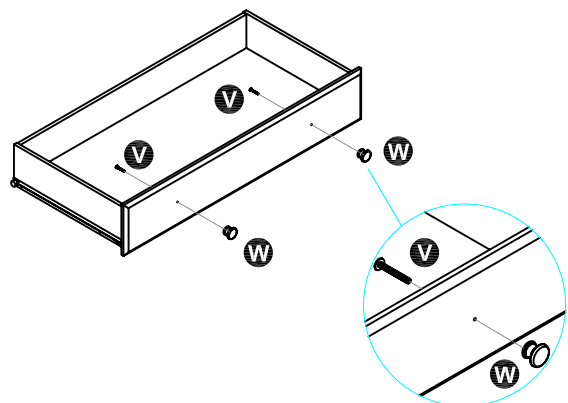
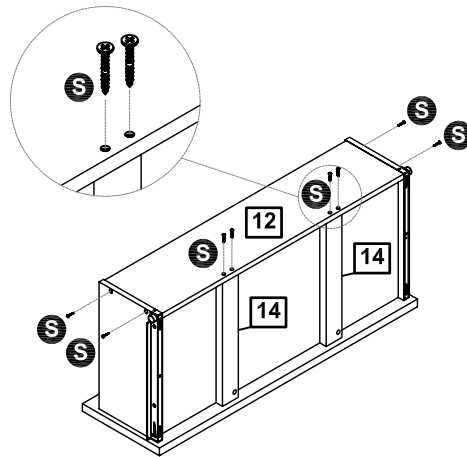
## Step 9

- a. Attach Drawer side **11** & **10** to Drawer front **9** by 4 Locking nut **U**
- b. Attach 2 Support rail **14** to Drawer front **9** by 2 locking nut **U**



## Step 10

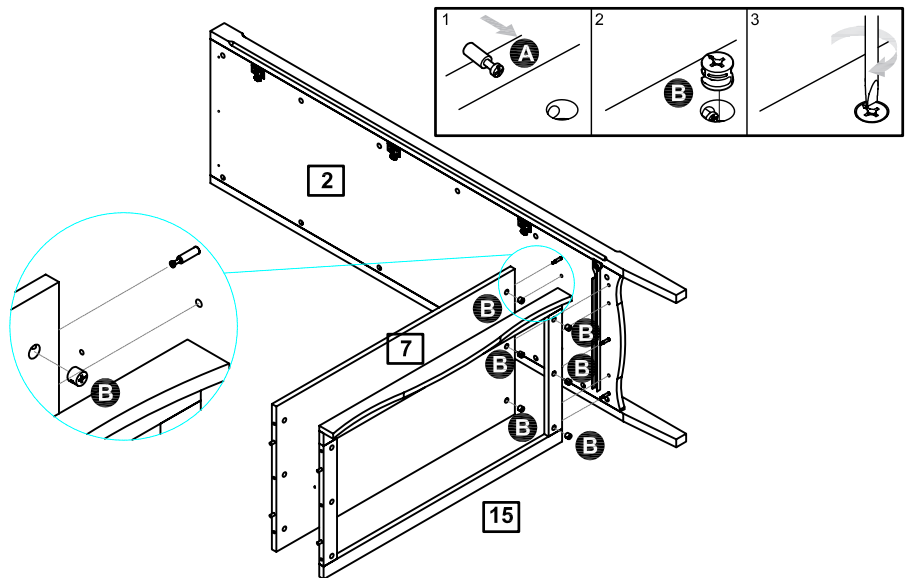
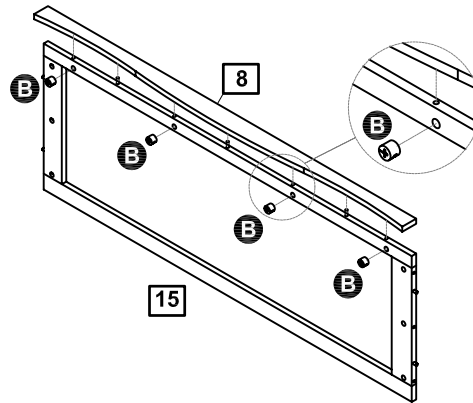
- a. Attach Drawer back **12** by 8 Screw **S**
- b. Fix 2 handle **W** onto drawer front by 2 Screw **V**



# Assembly Instructions

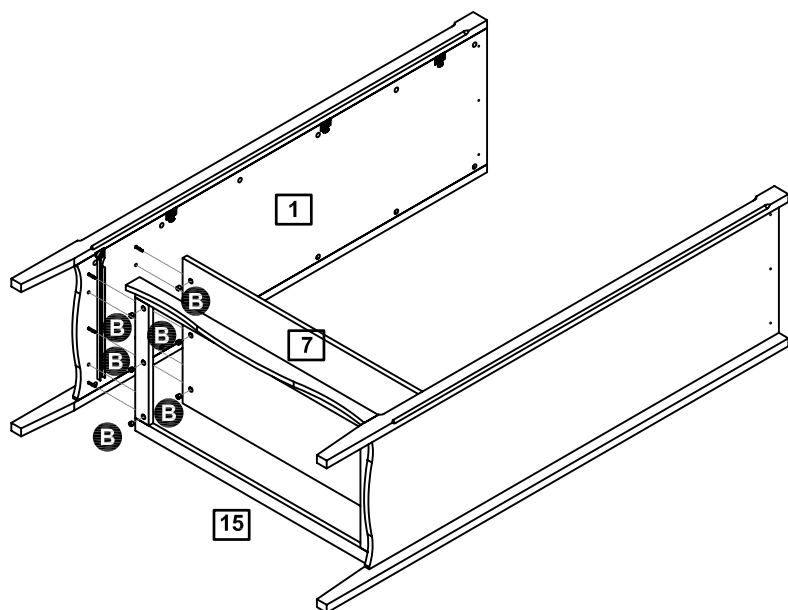
## Step 11

- a. Attach Plinth bar **8** to panel **15** by 4 locking nut **B**
- b. Attach Shelf **7** and Bottom frame **15** onto Side panel **2** by 6 Large locking nut **B**



## Step 12

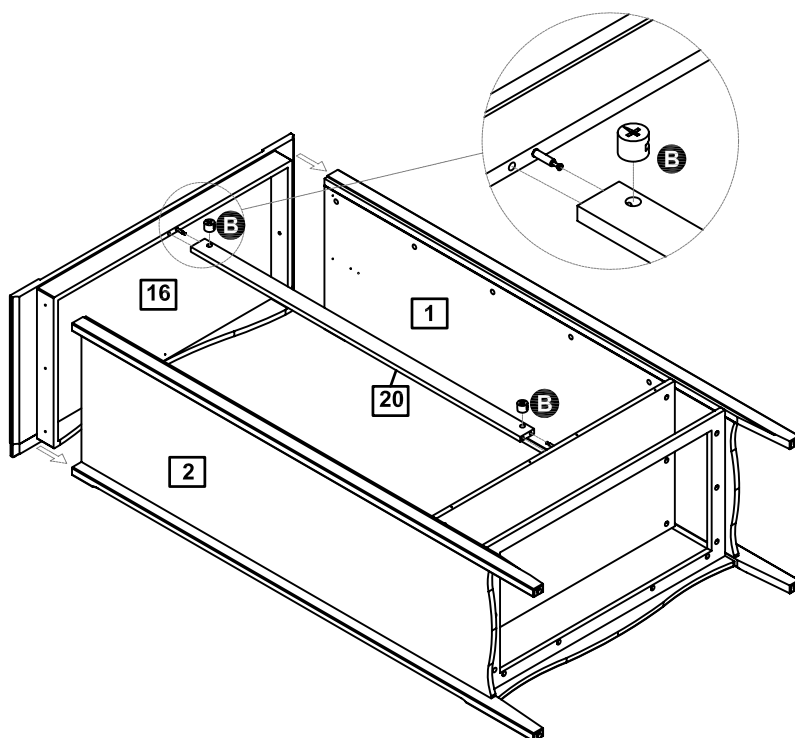
- Attach Shelf **7** and Bottom frame **15** onto Side panel **1** by 6 Large locking nut **B**



# Assembly Instructions

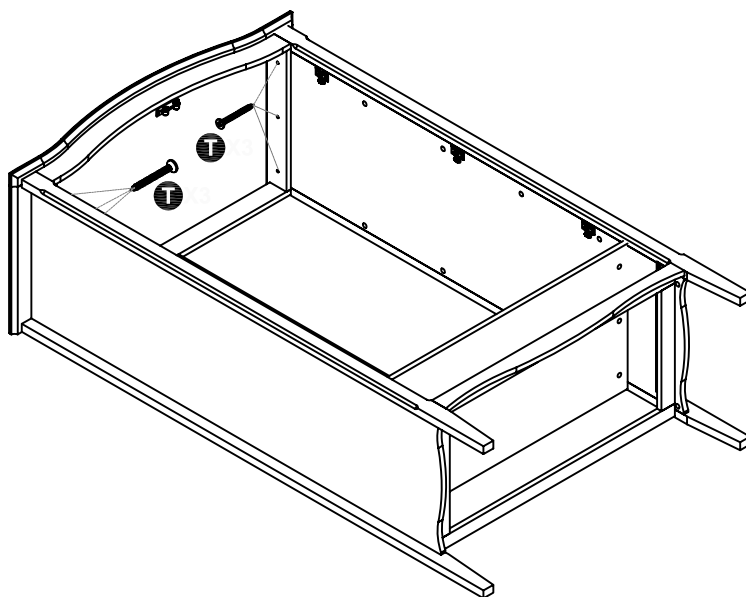
## Step 13

- a. Attach Horizontal bar **20** onto Shelf **7** and fix by Large locking nut **B**
- b. Attach Top panel **16** to the unit
- c. Fix Top panel **16** and Horizontal bar **20** by 1 Large locking nut **B**



## Step 14

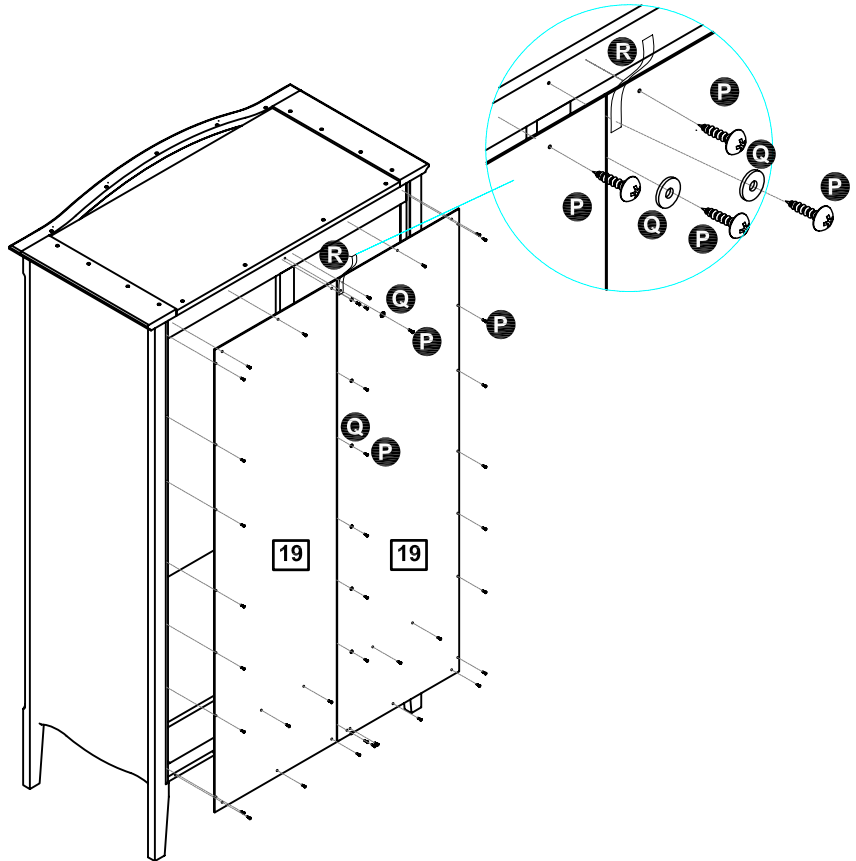
- Screw 6 Screw **T** to Top panel **16**



# Assembly Instructions

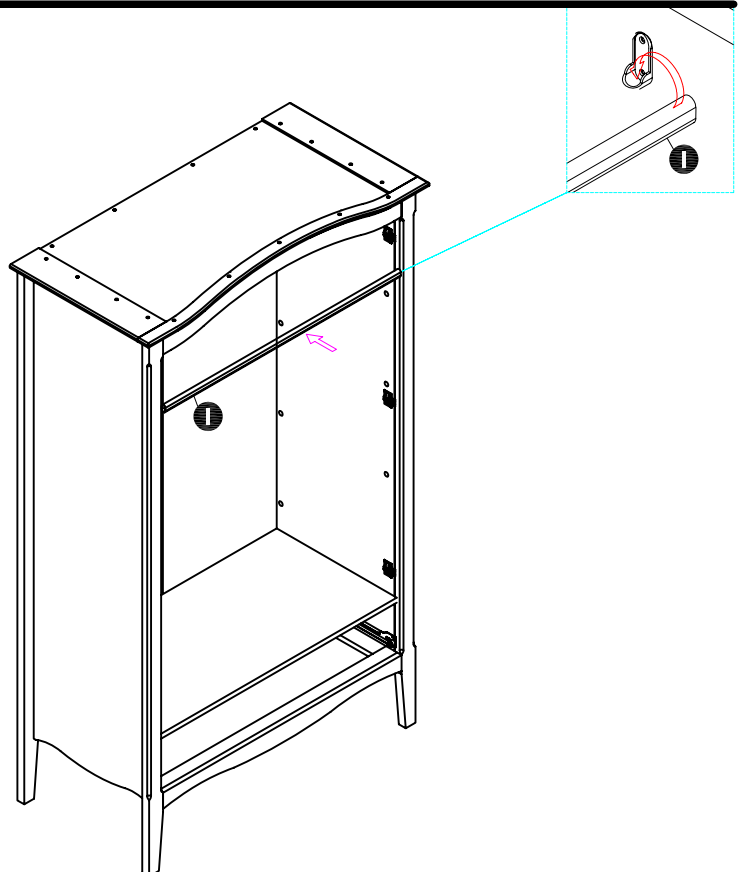
## Step 15

- a. Fix 2 Back panel **19** to the unit by 37 Screw **P**, the connection part of 2 Back panel need add 7 Washer **Q**
- b. Fix wall strap **R** by 1 washer **Q** and 1 screw **P**



## Step 16

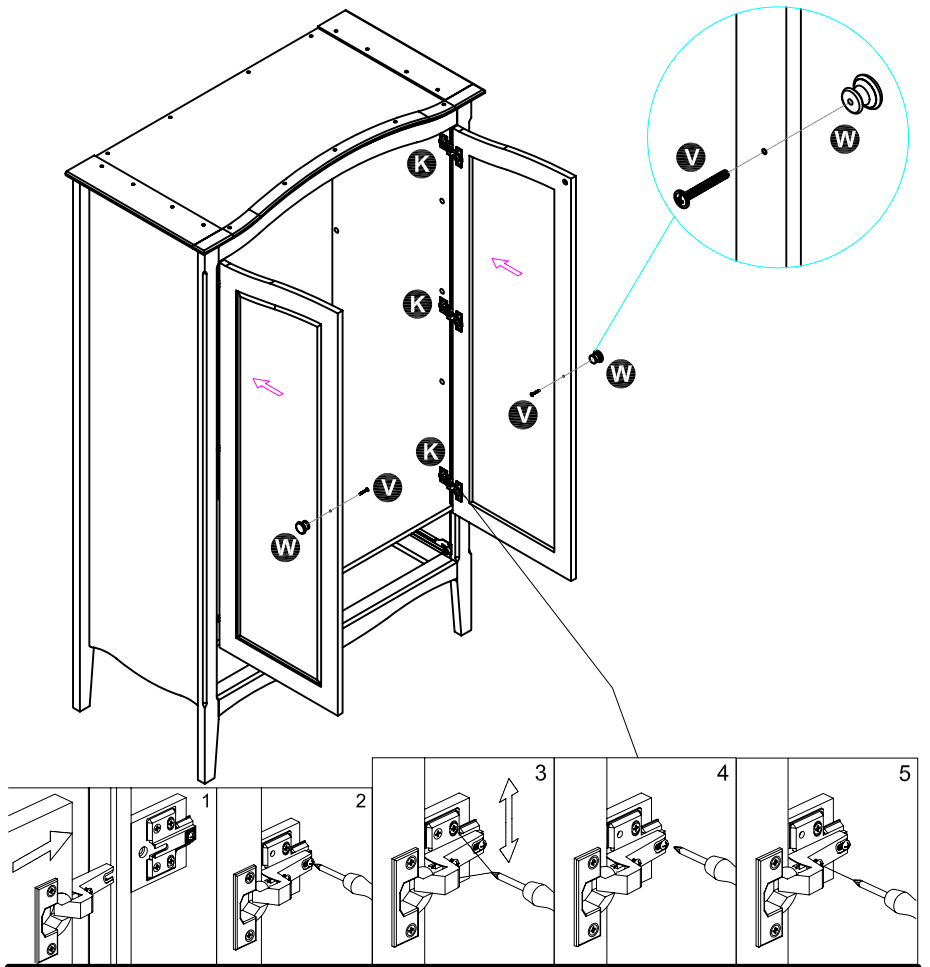
Install hanging rail **I** to the unit.



# Assembly Instructions

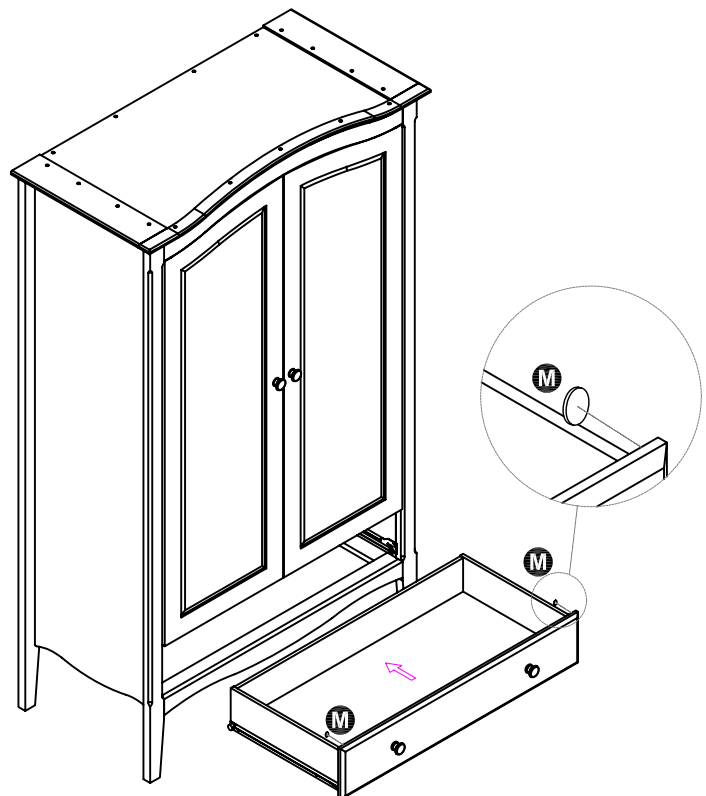
## Step 17

- a. With help, slot Door hinges **L** onto Cross Plate **K**
- b. Tighten screw shown to lock hinges in position
- c. repeat a.b for opposite door.
- d. fix 2 Handles **W** onto the Doors by 2 Screw **V**



## Step 18

- a. Attaching Rubber bumper **M** to the inner side of the Drawer front as show on the picture
- b. Insert drawer by carefully put in the drawer



# Assembly Instructions

## Step 19

### Fixing to wall

It is recommended that the wardrobe is fixed to a wall.

With help, move the Bookcase into position.



**Warning:**  
The wardrobe is heavy. Lift with care.

Mark fixing hole on wall and remove Wardrobe.

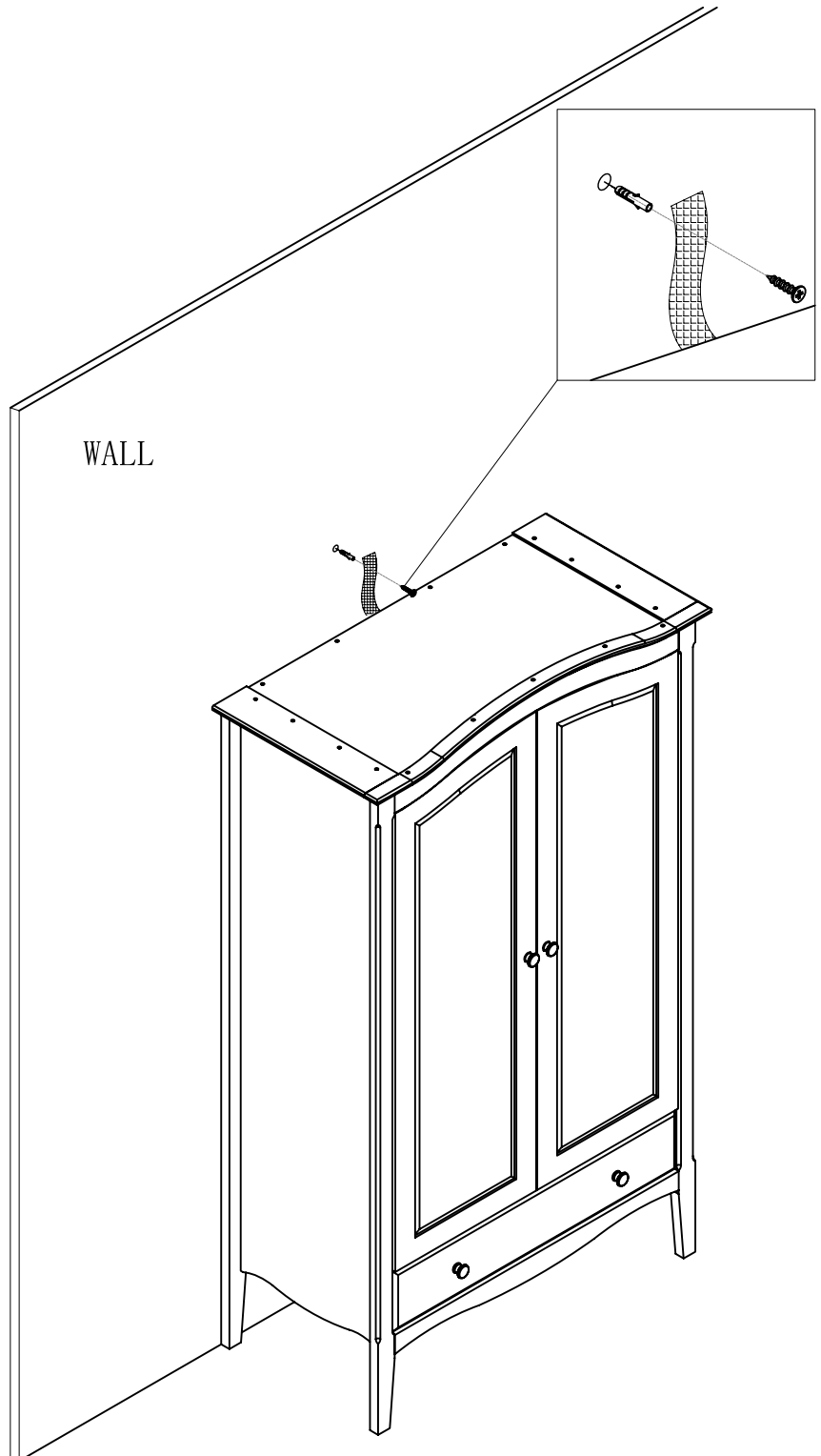
Drill hole and insert wall plug.



**Warning:**  
Before drilling, check wall for hidden pipes and cables.

Reposition Bookcase and fix wall strap using screw.

**Assembly is complete.**

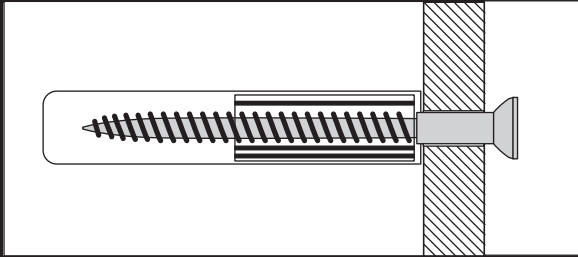


If you need help or have damaged or missing parts, call the  
**Customer Helpline: Argos = 0345 6400 800**



## A Guide to


# Wall Mounting & Fixings



### IMPORTANT:

When drilling into walls always check that there are no hidden wires or pipes etc. Make sure that the screws and wall plugs being used are suitable for supporting your unit. Consult a qualified tradesperson if you are unsure.

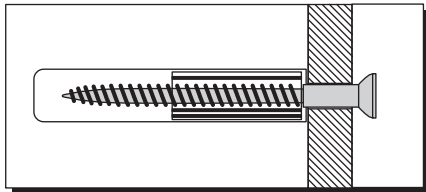
### HINTS:

- 1) General Rule  Always use a larger screw and wall plug if you are not sure.
- 2) Ensure you use the recommended drill bit to match the wall plug and hole size.
- 3) Ensure you drill the hole horizontally, do not force the drill or enlarge the hole.
- 4) Take extra care when drilling high walls, ceilings and ceramic tiles. Ensure the plug is fitting below the ceramic tile to avoid splitting or cracking.
- 5) Ensure wall plugs are well fitted and are a tight fit in the drilled hole.

## Types Of Walls

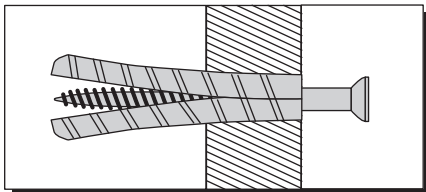
You can use one of the following types of wall plug if your walls are made of brick, breeze block, concrete, stone, wood or plaster board.

### No.1 "Standard" Wall Plug General Wall Materials



These come in various sizes and are made from plastic or sometimes wood fiber.

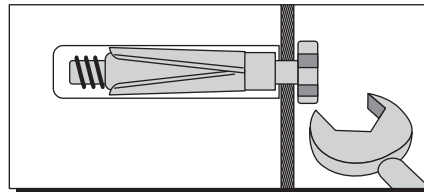
### No.2 "General Purpose" Wall Plug Aerated / Breeze Block



Generally aerated blocks should not be used to support heavy loads, use a specialist fitting in this case.

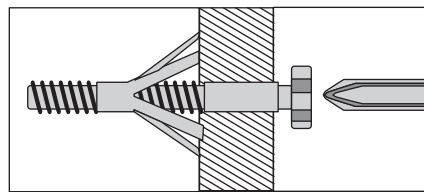
For light loads, a General Purpose Plug can be used.

### No.3 "Shield Anchor" Wall Plug Heavy Loads



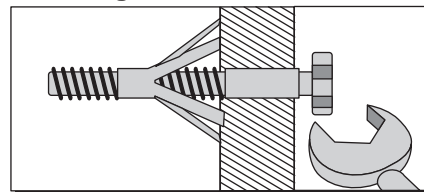
For use with heavier loads such as TV & HiFi Speakers and Satellite Dishes etc.

### No.4 "Cavity Fixing" Wall Plug



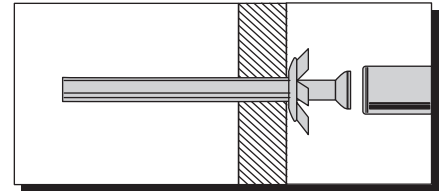
For use with plaster board partitions or hollow wooden doors.

### No.5 "Cavity Fixing - Heavy Duty" Wall Plug



For use when fitting or supporting heavy loads such as shelving, wall cabinets, coat racks.

### No.6 "Hammer Fixing" Wall Plug



For use with walls stuck with plaster board. The hammer fixing allows it to be fixed to the wall rather than the plaster board. Always check the fixing is secure to the retaining wall.

## CARE & MAINTENANCE

### SAFETY

Always check the fitting and location to ensure your safety in and around the home.

### FITTING

From time to time check the fitting to ensure the wall plugs or screws do not become loose.